

# NATIONAL BUILDING CODE OF INDIA

## PART 4 FIRE AND LIFE SAFETY

BUREAU OF INDIAN STANDARDS

## CONTENTS

FOREWORD	...	3
1 SCOPE	...	7
2 TERMINOLOGY	...	7
3 FIRE PREVENTION	...	12
4 LIFE SAFETY	...	27
5 FIRE PROTECTION	...	52
6 ADDITIONAL OCCUPANCY WISE REQUIREMENTS	...	58
ANNEX A CALORIFIC VALUES OF COMMON MATERIALS	...	68
ANNEX B BROAD CLASSIFICATION OF INDUSTRIAL OCCUPANCIES IN TO DIFFERENT DEGREE OF HAZARD	...	69
ANNEX C AVAILABLE DATA REGARDING FIRE RESISTANCE RATING OF VARIOUS BUILDING COMPONENTS	...	72
ANNEX D GUIDELINES FOR FIRE DRILL AND EVACUATION PROCEDURES FOR HIGH RISE BUILDINGS	...	81
ANNEX E ADDITIONAL REQUIREMENTS FOR HIGH RISE BUILDINGS	...	87
ANNEX F ATRIUM	...	89
ANNEX G COMMERCIAL KITCHENS	...	91
ANNEX H CAR PARKING FACILITIES	...	94
ANNEX J FIRE AND LIFE SAFETY REQUIREMENTS FOR METRO STATIONS	...	96
ANNEX K FIRE AND LIFE SAFETY REQUIREMENTS FOR METRO TRAINWAYS	...	103
ANNEX M FIRE PROTECTION CONSIDERATIONS FOR VENTING IN INDUSTRIAL BUILDINGS	...	106
LIST OF STANDARDS	...	112

## FOREWORD

This Code (Part 4) deals with safety from fire. It specifies the demarcation of fire zones, restrictions on construction of buildings in each fire zone, classification of buildings based on occupancy, types of building construction according to fire resistance of the structural and non-structural components and other restrictions and requirements necessary to minimise danger to life from fire, smoke, fumes or panic before the buildings can be evacuated. The Code recognizes that safety of life is more than a matter of means of egress and accordingly deals with various matters which are considered essential to the safety of life. The Code therefore covers provisions relating to means of egress covering various components thereof namely exit access, exit and exit discharge. It also covers provisions relating to fire protection of buildings through portable and fixed firefighting installations.

Fire protection techniques have to be based on the fire behaviour characteristics of different materials and structural elements of buildings. The activities pursued by the occupants of buildings must also be taken into consideration for assessing the extent of hazards, and method should then be devised by which the hazards could be minimised. An indefinite combination of variables is involved in the phenomenon of fire, all of which cannot be quantified. The requirements of this Code should, therefore, be taken as a guide and an engineering design approach should be adopted for ensuring a fire safe design for buildings. Depending upon the type and complexities in a building, qualified and trained fire protection engineers should be associated with the planning of buildings, so that adequate fire and life safety measures could be incorporated in the building design right from the beginning.

Absolute safety from fire is not attainable in practice. The objective of this Part is to specify measures that will provide that degree of safety from fire which can be reasonably achieved. The Code endeavours to avoid requirements that might involve unreasonable hardships or unnecessary inconvenience or interference with normal use and occupancy of buildings, but insists upon compliance with minimum standards of fire safety necessary for building occupants and users. For ensuring compliance of fire protection equipment/installations to the laid down quality requirements, it is desirable to use such equipment/installation duly certified under the BIS Certification Marks Scheme.

While providing guidelines for minimizing chances of occurrence of fire through passive fire protection measures, this Part does not intend to cover all aspects of general fire prevention including sources of ignition. Nor does it cover the prevention of accidental personal injuries during the course of normal occupancy of buildings.

This Part while recognizing that panic in a building on fire may be uncontrollable, deals with the potential panic hazard through measures designed to prevent the development of panic. Experience indicates that panic seldom develops even in the presence of potential danger, so long as occupants of buildings are moving towards exits which they can see within a reasonable distance and with no obstruction or undue congestion in the path of travel. However, any uncertainty as to the location or adequacy of means of egress, the presence of smoke or fumes and the stoppage of travel towards the exit, such as may occur when one person stumbles and falls on stairs, may be conducive to panic. Danger from panic is greater when a large number of people are trapped in a confined area particularly when people are not adequately guided towards egress and safety notifications are not implemented or practiced. Consideration towards announcements and annunciations needs to be given to guide the occupants to safe egress routes and to control panic during situation of distress.

Experience has shown that concealed spaces within a building, such as, space between ceiling and false ceiling, horizontal and vertical ducts and shafts, etc, tend to act as flues/tunnels during a fire. Provision should, therefore, be made to provide fire stopping within such spaces.

Nothing in this Part of the Code shall be construed to prohibit better types of building construction, more exits or otherwise safer conditions than the minimum requirements specified in this Part.

Compliance with this Part shall not be construed as eliminating or reducing the necessity for other provisions for safety of persons using a building or structure under normal occupancy conditions. Nor shall any provision of this

Part be construed as requiring or permitting any addition that maybe hazardous under normal occupancy conditions.

One of the major points brought out in this Part is the limitation of heights and areas of buildings based on fire safety of the occupants. Individual municipal corporations are free to alter Table 2 based on local conditions, but the ratios of areas as maintained in the table for different occupancies and types of construction shall be adhered to.

Advantage has been taken of the developments, particularly in fire resistance rating of materials, designating types of construction in a rational manner and relating the area limitations of different occupancies to different types of construction.

Halons (halogenated hydrocarbons) which exhibit exceptional firefighting and explosion prevention/suppression characteristics have been found to possess high ozone depleting potential. They come under Group II of Annex A of the Montreal Protocol on Substances that Deplete the Ozone Layer, the international environmental agreement for phasing out ozone depleting substances. Due to increasing evidence that the ozone layer is getting depleted at a faster rate than thought earlier, the Code takes into cognizance the need to promote use of halon alternatives as fire extinguishing media.

The first version of this Part was formulated in 1970 and was revised in 1983. Subsequently the first revision of this Part was modified in 1997 through Amendment No. 3 to 1983 version of the Code. This modified version of this Part included few tables for the fire resistance ratings of various building components, such as walls, columns, beams and floors. The requirements for wet riser, down-comer, automatic sprinkler installation, high velocity (10-15 m/s) water spray or foam generating system, etc, for buildings were modified. Annex giving guidelines for selection of fire detectors had been deleted and relevant Indian Standards on fire alarm system and smoke detectors had been referred. Also, an annex for determination of fire loads and flue load density for arriving at the classification of occupancy hazard and calorific values of some common materials were included. Annex for broad classification of industrial and non-industrial occupancies into low, moderate and high hazard had also been included.

The Code was then revised in 2005. In this revision, the significant modifications incorporated were: The text was divided into the following broad clauses: (a) *Fire prevention* — Covering aspects of fire prevention pertaining to design and construction of buildings on passive fire protection measures, also describing the various types of building materials and their fire rating; (b) *Life safety* — Covering life safety provisions in the event of fire and similar emergencies, also addressing construction and occupancy features that are necessary to minimise danger to life from fire, smoke, fumes or panic; (c) *Fire protection* — Covering the significant appurtenances and their related components and guidelines for selecting the correct type of equipment and installation meant for fire protection of the building, depending upon the classification and type of the building. Also, the classification of building based on occupancy was elaborated, wherein, starred hotels were covered as a new Subdivision A-6 under occupancy Group A Residential; heritage structures and archaeological monuments were covered under Subdivision D-3 occupancy Group D Assembly buildings; mixed assembly occupancies were covered as a new Subdivision D-6; underground elevated railways were covered as a new Subdivision D-7 under occupancy Group D Assembly buildings; and TV stations were covered under Subdivision E-5 of occupancy Group E Business buildings. Further, for the external stairs for exit requirements, the width and treads were increased to 1 250 mm and 250 mm, respectively; under the requirements for institutional buildings the clear width of all required exits which serve as egress from hospital or infirmary section was increased from 1.5 m to 2 m. Also, provision of patient-lift was included; and due cognizance of halon phase out programme was taken, while specifying provisions in this Part with respect to fire protection using fire extinguishers/systems.

Based on various comments received from time-to-time, an Amendment No. 2 relating to Part 4 of the 2005 version of the Code, was issued.

In this current revision, the following significant changes have been made:

*General:*

- 1) The scope of application of provisions of this Part of the Code for different occupancies has been clarified.
- 2) Definitions of various new terms have been included and definitions of some of the existing terms have been updated based on latest developments and use.

*Fire Prevention:*

- 3) Based on the experience in the use of the provisions of the Code in relation to various occupancies and

subdivision classification under various building occupancy types, the same has been reviewed and updated. Also, mixed occupancy and minor occupancy have been further clarified.

- 4) Table 1 on fire resistance ratings of structural and non-structural elements has been updated.
- 5) The provisions relating to fire separating walls, fire separating floors and fire partitions have been detailed.
- 6) Provisions of fire safety requirements of services shafts have been rationalized and updated.
- 7) A separate comprehensive clause on electrical power supply distribution for fire and life safety systems has been included.
- 8) Detailed clauses on air conditioning systems towards safety and smoke control integration have been provided.
- 9) Glass facade requirements have been detailed towards fire protection and smoke exhaust aspects.
- 10) A separate comprehensive clause on Fire Command Centre (FCC) has been introduced covering various requirements.

*Life Safety:*

- 11) The components of means of egress have been comprehensively brought out covering specific aspects relating to exit access, exit and exit discharge. The relationship of occupant load, exit width requirements and travel distances have also been duly detailed enabling efficient planning for enhanced life safety provisions. The table on capacity factors has been modified based on aspect of width per person approach used globally.
- 12) Requirement for displaying the occupancy load for assembly buildings and call centres, has been included.
- 13) The concept of firefighting shaft for safe and efficient use by the fire fighters to access the floor on fire and also allow egress/evacuation of the occupants with simultaneous use of refuge area used as staging of the occupants, have been well integrated, including in the annex for high rise buildings.
- 14) Aspects of compartmentation with fire barrier and its passive fire safety requirements have been detailed for respective occupancies.
- 15) Pressurization of exits and smoke extraction requirements for respective areas including car parking have been updated with an approach towards selecting alternative means therefor.
- 16) The clause on gas supply has been comprehensively updated.
- 17) The clause on fire detection and alarm system has been completely reviewed and updated as per the latest practices.

*Fire Protection:*

- 18) The table on minimum requirements for firefighting installations (erstwhile Table 23 and now Table 7) has been comprehensively updated.
- 19) Detailed provisions have been included on fire water storage, fire pump room, sprinkler system and various alternative fire suppression systems.

*Additional Occupancy-wise Requirements*

- 20) Concept of progressive evacuation in case of hospital buildings has been included in detail to ensure life safety of the inmates.
- 21) Provisions relating to requirement of refuge area have been updated including for D-6 occupancy and introduced for apartment buildings of height 60 m and above.
- 22) Separate provisions on atrium have been included in Annex F.
- 23) Detailed separate provisions have been included on commercial kitchens in Annex G.
- 24) Detailed separate provisions have been included on car parking facilities in Annex H.
- 25) Separate provisions on fire and life safety requirements for metro stations and metro trainways have been included in Annex J and Annex K, respectively.

For provisions relating to universal accessibility and barrier-free environment Part 3 ‘Development Control Rules and General Building Requirements’ of the Code may be referred.

All standards cross-referred to in the main text of this Part, are subject to revision. The parties to agreement based on this Part are encouraged to investigate the possibility of applying the most recent editions of the standards.

For the purpose of deciding whether a particular requirement of this Part of the Code is complied with, the final value, observed or calculated, expressing the result of a test or analysis, shall be rounded off in accordance with IS 2 : 1960 ‘Rules for rounding off numerical values (*revised*)’. The number of significant places retained in the rounded off value should be the same as that of the specified value in this Part.

# NATIONAL BUILDING CODE OF INDIA

## PART 4 FIRE AND LIFE SAFETY

### 1 SCOPE

**1.1** This Code (Part 4) covers the requirements for fire prevention, life safety in relation to fire and fire protection of buildings. This Code (Part 4) specifies occupancy-wise classification, constructional aspects, egress requirements and protection features that are necessary to minimise danger to life and property from fire.

**1.2** The provisions of this Part are applicable to,

- a) all high rise buildings; and
- b) special buildings, those are,
  - 1) hotel, educational, institutional, business, mercantile, industrial, storage, hazardous and mixed occupancies, where any of these buildings have floor area more than 500 m<sup>2</sup> on any one or more floors;
  - 2) educational buildings having height 9 m and above;
  - 3) institutional buildings having height 9 m and above;
  - 4) all assembly buildings;
  - 5) buildings, having area more than 300 m<sup>2</sup> of incidental assembly occupancy on any floor; and
  - 6) buildings with two basements or more, or with one basement of area more than 500 m<sup>2</sup>.

unless otherwise mentioned specifically in the provisions.

NOTE — The owner of the building and parties to agreement, may however, decide to apply the provisions of this Part to buildings other than those given above.

### 2 TERMINOLOGY

For the purpose of this Part, the following definitions shall apply.

**2.1 Assisted Evacuation** — Strategy that exists during which a designated person or persons provide assistance, during an emergency, to another person(s) to leave a building or a specific part of the built environment and to reach a final place of safety.

**2.2 Atrium** — A large-volume space created by a floor opening or series of floor openings connecting two or more stories that is covered at the top of the series of openings and is used for purposes other than an

enclosed stairway; lifts hoist-way; an escalator opening; or as a utility shaft used for plumbing, electrical, air conditioning, or communications facilities.

**2.3 Authorities Concerned** — An organization, office, or individual responsible for enforcing the requirements of a code or standard, or for approving or accepting equipment, materials, an installation, or a procedure.

**2.4 Automatic Fire Detection and Alarm System** — A system comprising components and sub-systems required for automatically detecting smoke, heat or fire initiating an alarm and other actions as appropriate. This system also includes manually operated electronic fire alarm (MOEFA) system.

NOTE — MOEFA system (with or without automatic fire detection and alarm system) includes all or some of the components such as manual call stations (initiating an alarm for fire and other actions as required), talk-back system and public address system.

**2.5 Building** — Any structure for whatsoever purpose and of whatsoever materials constructed and every part thereof whether used as human habitation or not and includes foundation, plinth, walls, floors, roofs, chimneys, plumbing and building services, fixed platforms, *Veranda*, balcony, cornice or projection, part of a building or anything affixed thereto or any wall enclosing or intended to enclose any land or space and signs and outdoor display structures. Tents, *Shamianahs*, tarpaulin shelters, etc, erected for temporary and ceremonial occasions with the permission of the Authority shall not be considered as building.

**2.6 Building, Height of** — The vertical distance measured in the case of flat roofs, from the average level of the ground around and contiguous to the building or as decided by the Authority to the terrace of the last livable floor of the building adjacent to the external wall; and in the case of pitched roofs, up to the point where the external surface of the outer wall intersects the finished surface of the sloping roof; and in the case of gables facing the road, the mid-point between the eaves level and the ridge. Where the building is located in a sloped terrain, height shall be determined from the lowest level (that is approachable by the fire service vehicles) to the terrace level. Architectural features serving no other function except that of decoration shall be excluded for the purpose of measuring heights.



**2.7 Combustible Material** — A material which either burns itself or adds heat to a fire, when tested for non-combustibility in accordance with accepted standard [4(1)].

**2.8 Common Path of Travel** — That portion of the exit access which the occupants are required to traverse before two (or more) separate and distinct routes or two (or more) exits become available. Common paths of travel are part of travel distance.

**2.9 Covered Area** — Ground area covered by the building immediately above the plinth level. The area covered by the following in the open spaces is excluded from covered area (see Table 9):

- a) Garden, rockery, well and well structures, plant nursery, water pool, swimming pool (if uncovered), platform round a tree, tank, fountain, bench, *Chabutara* with open top and unenclosed on sides by walls and the like;
- b) Drainage culvert, conduit, catch-pit, gully pit, chamber, gutter and the like;
- c) Compound wall, gate, unstoreyed porch and portico, slide, swing, uncovered staircases, ramp areas covered by *Chhajja* and the like; and
- d) Watchman’s booth, pump house, garbage shaft, electric cabin or substations, and such other utility structures meant for the services of the building under consideration.

NOTE — For the purpose of this Part, covered area equals the plot area minus the area due for open spaces in the plot.

**2.10 Down-comer** — An arrangement of firefighting within the building by means of down-comer pipe connected to terrace tank through terrace pump, gate valve and non-return valve and having mains not less than 100 mm internal diameter with landing valves on

each floor/landing. It is also fitted with inlet connections at ground level for charging with water by pumping from fire service appliances and air release valve at roof level to release trapped air inside.

**2.11 Dry Riser** — An arrangement of firefighting within the building by means of vertical rising mains not less than 100 mm internal diameter with landing valves on each floor/landing which is normally dry but is capable of being charged with water usually by pumping from fire service appliances.

**2.12 Emergency Lighting** — Lighting provided for use when the supply to the normal lighting fails.

**2.13 Emergency Lighting System** — A complete but discrete emergency lighting installation also fed from the standby power source to the emergency lighting lamp(s), for example, self-contained emergency luminaire or a circuit from central battery (with or without monitoring system) connected through wiring to several escape lighting luminaries.

**2.14 Escape Lighting** — That part of the emergency lighting which is provided to ensure that the escape route is illuminated at all material times, for example, at all times when persons are on the premises, or at times the main lighting is not available, either for the whole building or for the means of egress.

**2.15 Evacuation Lift** — Lift that can be used, during an emergency, for self-evacuation.

**2.16 Exit** — That unobstructed component of means of egress which is between the exit access and the exit discharge or public way. Exit components include exterior exit doors at the level of exit discharge, interior exit stairways, exit passageways, exterior exit stairways and exterior exit ramps (see Fig. 1).

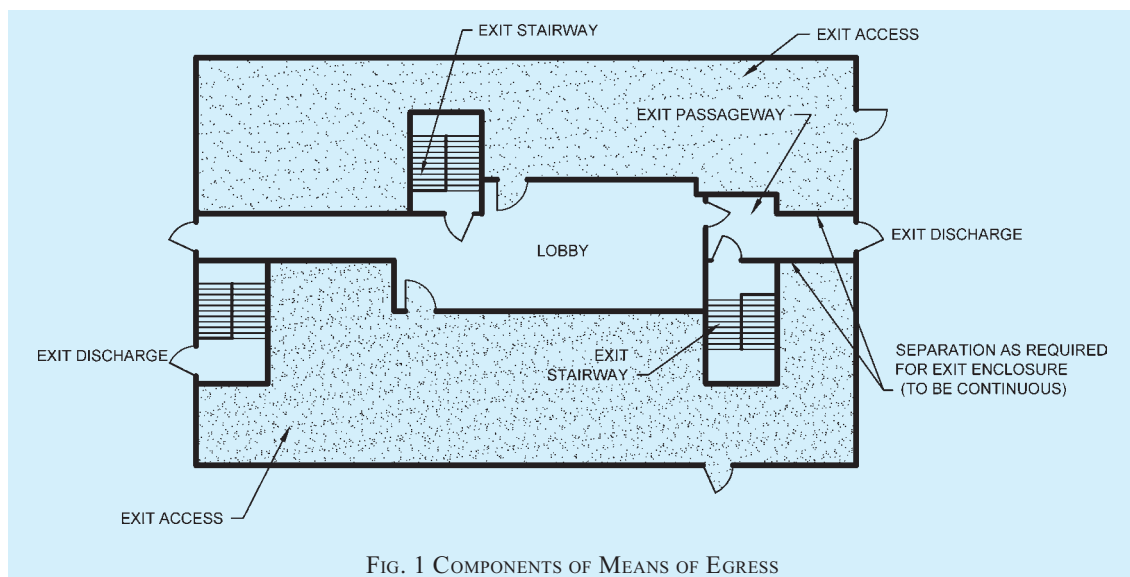


FIG. 1 COMPONENTS OF MEANS OF EGRESS



**2.17 Exit Access** — That portion of a means of egress that leads to an exit (for example, doorways, staircase lobby, ramps, *Veranda*, corridor or passageway leading to an exit) (see Fig. 1).

**2.18 Exit Access Corridor** — A corridor in exit access which may not necessarily have the requirement of exits being met.

**2.19 Exit Discharge** — The component of a means of egress between the termination of an exit and a public way (see Fig. 1).

**2.20 Fire Barrier (or Fire Resisting Barrier)** — A fire barrier is a vertically or horizontally aligned member such as a wall or a fire curtain, or a floor. These may be with discontinuities created by openings with a specified fire resistance rating, where such members are designed and constructed with a specified fire resistance rating to limit the spread of fire that also restricts the movement of smoke.

**2.21 Fire Compartment** — A space within a building that is enclosed by fire barrier or fire resistant walls on all sides, including the top and bottom.

**2.22 Fire Door and Fire Door Assembly** — Any combination of fire door, frame, hardware and other accessories that together provide a specific fire resistant rating to the opening in terms of its stability, integrity and insulation properties, when installed in the openings in fire separation walls. Fire door is a component of fire door assembly.

**NOTES**

- 1 Wherever reference has been made to fire door or fire check door in this Part, the same shall be construed as fire door assembly.
- 2 Fire doors in exits shall have fire rating as required in this Part to meet the requirement of integrity and stability; and the insulation criteria shall be 20 min.
- 3 Fire doors in exits shall be provided with intumescent seal.
- 4 Fire doors in exits shall not be allowed to be on hold open position and kept closed and to close by 'door closure — spring mechanism'.
- 5 Fire curtains shall not be allowed as fire exits. If so provided for compartmentation, independent fire door shall be provided meeting the requirement for fire door in exits as above (of the width as required) within the prescribed travel distance requirement.

**2.23 Fire Exit** — A way out leading from exit access with or without panic bar provided on the door.

**2.24 Firefighting Shaft (Fire Tower)** — An enclosed shaft having protected area of 120 min fire resistance rating comprising protected lobby, staircase and fireman's lift, connected directly to exit discharge or through exit passageway with 120 min fire resistant wall at the level of exit discharge to exit discharge. These shall also serve the purpose of exit requirement/strategy for the occupants. The respective floors shall be approachable from fire-fighting shaft enabling the fire fighters to access the floor and also enabling the fire fighters to assist in evacuation through fireman's lift. The firefighting shaft shall be equipped with 120 min fire doors. The firefighting shaft shall be equipped with firemen talk back, wet riser and landing valve in its lobby, to fight fire by fire fighters (see Fig. 2 for a typical firefighting shaft).

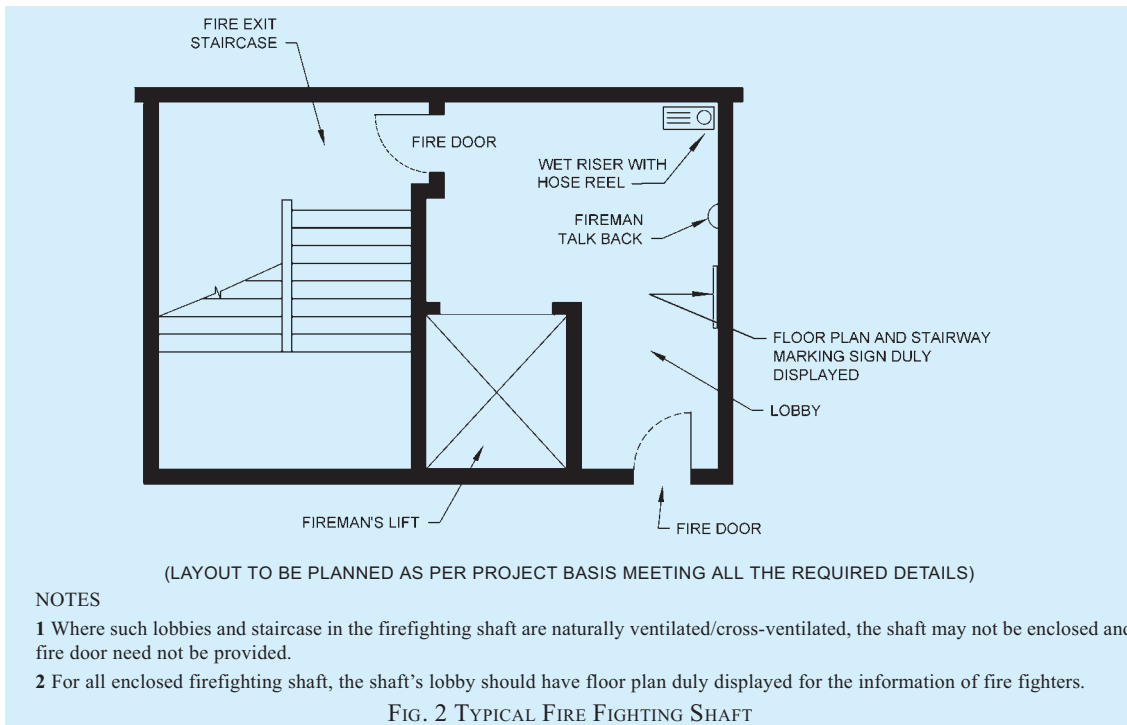


FIG. 2 TYPICAL FIRE FIGHTING SHAFT

**2.25 Fire Load** — Calorific energy, of the whole contents contained in a space, including the facings of the walls, partitions, floors and ceilings.

**2.26 Fire Load Density** — Fire load divided by floor area.

**2.27 Fireman's Lift** — A lift or a group of lifts invariably associated with all the features and requirements of a fire-fighting shaft. Such lift(s) are installed to enable fire services personnel to reach different floors with minimum delay, and shall meet the additional features as required in accordance with this Part. This lift also serves the purpose of meeting the requirement of evacuation lift for assisted evacuation.

**2.28 Fire Resistance** — Fire resistance is a property of an element of building construction and is the measure of its ability to satisfy for a stated period, some or all of the following criteria:

- a) *Load bearing capacity (Stability) (R)* — The ability of a load bearing element to withstand fire exposure without any loss of structural stability.
- b) *Integrity (E)* — Resistance to penetration of flame and hot gases.
- c) *Insulation (I)* — Resistance to temperature rise on the unexposed face up to a maximum of 180°C at any single point and average temperature of 140°C.

**2.29 Fire Resistance Rating** — The time that a material or construction will withstand the standard fire exposure as determined by fire test done in accordance with the standard methods of fire tests of materials/structures as per the accepted standard [4(2)].

#### NOTES

1 The requirement of rating of various building elements as given in this Part shall be applicable in accordance with the provisions given in the accepted standard [4(2)].

2 The fire resistance rating shall be specified in terms of minutes.

3 Fire resistance rating for non-structural material/assembly shall bear a label of compliance to such rating as per the approval of competent authority based on testing and evaluation. The label shall be permanently affixed to the material/assembly and may carry other relevant details such as name and type of the product, and manufacturer's details.

**2.30 Fire Resistant Wall** — Fire resistance rated wall, having opening(s) with specified fire resistant rating, which restricts the spread of fire from one part of a building to another part of the same building.

**2.31 Fire Separation** — The distance in metre, measured from the external wall of the building concerned to the external wall of any other building on the site, or from other site, or from the opposite side of street or other public space for the purpose of preventing the spread of fire.

**2.32 Fire Stop** — A fire resistant material, or construction, having a fire resistance rating of not less than the fire separating elements, installed in concealed spaces or between structural elements of a building to prevent the spread/propagation of fire and smoke through walls, ceilings and the like as per the laid down criteria.

#### NOTES

1 Fire stop assembly for through penetrations is a combination of firestop compatible for use with the penetrant, penetration items such as cables, cable tray, conduits, ducts, pipes, etc, and their means of support through the wall or opening that together restores the fire resistance rating of the fire separating elements in terms of its integrity and/or insulation properties.

2 Fire stop assembly for joints is the one where fire stop with movement capability is used to seal the linear joints between adjacent fire separating elements, to maintain the fire resistance of the separating elements, which should be installed within its tested design limits with regard to size of the joint, type of assembly, and anticipated compression and extension of the joint.

#### 2.33 Fire Suppression Systems

- a) *Gas based systems* — Systems that use gaseous agents as fire suppression media, such as, all agents alternate to Halon gases, listed and approved for use by relevant Indian Standards; other methods/types of gas based systems where their protection is equal to or better than what is suggested above for the type of application subject to the acceptance of Authorities concerned may also fall under such systems.
- b) *Water based systems* — Systems that use mainly water as firefighting media such as hydrant system, sprinkler system, water spray system, foam system and water mist system.

**2.34 Fire Wall or Fire Separating Wall** — A fire resistance rated wall having fire protected openings, which restricts the spread of fire and extends continuously from the foundation to the roof (and through the roof at least 1m above the roof in case of combustible roof), with sufficient structural stability under fire conditions to allow collapse of construction on one side or either side without collapse of the wall.

**2.35 Floor Area (Gross)** — The area of the floor within the inside perimeter of the outside walls of the floor of the building under consideration with no deductions for corridors and passage-ways, stairs, closets, thickness of interior walls, columns, lifts and building shafts or other features.

**2.36 Floor Area Ratio (FAR)** — The quotient obtained by dividing the total covered area (plinth area) on all

floors by the area of the plot:

$$\text{FAR} = \frac{\text{Total covered area of all floors}}{\text{Plot area}}$$

**2.37 Fire Exit Hardware** — A door-latching assembly incorporating an actuating member or panic bar that releases the latch bolt upon the application of a force in the direction of egress travel, provided on exits.

**2.38 High Rise Building** — A building 15 m or above in height (irrespective of its occupancy).

**2.39 Horizontal Exit** — A defend in place or a staging arrangement, providing safety from fire and smoke originating from the area of incidence, by allowing alternative egress from a compartment to an area of refuge or another compartment at or near the same level. This also includes such egress from a compartment to an adjoining building. A horizontal exit shall be through a fire door of 120 min rating in a fire resistant wall. Horizontal exit require separation with the refuge area or adjoining compartment through 120 min fire barrier. The adjoining compartment of the horizontal exit should allow unlocked and ease of egress and exits for the occupants using defend in place strategy.

**2.40 Lift Lobby** — A space from which people directly enter a lift car(s) and into which people directly enter upon exiting a lift car(s).

**2.41 Means of Egress** — A continuous way of travel from any point in a building or structure to a public way, consisting of three separate and distinct parts, that is, exit access, exit and exit discharge.

**2.42 Means of Escape** — A way out of a building or structure that does not conform to the strict definition of 'means of egress' but does provide an alternate way out.

### 2.43 Metro Station

**2.43.1 Concourse** — Intermediate level(s) or area(s) connecting a station platform(s) to a public way through stairs, escalators or corridors.

**2.43.2 Crush Train Load** — The number of passengers inside a train when it is filled to maximum capacity permissible by rolling stock design.

**2.43.3 Entraining Load** — The number of passengers boarding a train at a platform.

**2.43.4 Headway** — The interval of time between the arrivals of consecutive trains at a platform in a station.

**2.43.5 Mass Rapid Transit** — Any station building or part thereof, permanent or temporary, through which people transit for the duration of time required to enter the building and board the train to depart the station platform or to alight from the train and depart from the station building.

**2.43.6 Non-transit Occupancy** — Occupancy not under the control of the system operating authority.

**2.43.7 Point of Safety** — One of the following: (a) An enclosed exit that leads to a public way or safe location outside the station, trainway, or vehicle, (b) An at-grade point beyond the vehicle, enclosing stations, or trainway, (c) A point on open track beyond the open or enclosed station or enclosed train-way, and (d) Any other location approved by the Authorities concerned.

**2.43.8 Station** — A place designated for the purpose of loading and unloading passengers, including service area and ancillary spaces associated with the same structure.

**2.43.8.1 Composite station** — A transit station that is constructed contiguous with non-transit occupancy.

**2.43.8.2 Enclosed station** — A station or portion thereof that does not meet the definition of an open station.

**2.43.8.3 Open station** — A station that is constructed such that it is directly open to the atmosphere, and smoke and heat are allowed to disperse directly into surrounding open atmosphere.

**2.43.9 Station Platform** — The area of a station immediately adjacent to a guideway, used primarily for loading and unloading passengers.

**2.44 Mixed Occupancy** — A multiple occupancy where the occupancies are intermingled.

**2.45 Multiple Occupancy** — A building or structure in which two or more classes of occupancy exist.

**2.46 Occupancy or Use Group** — The principal occupancy for which a building or a part of a building is used or intended to be used; for the purpose of classification of a building according to the occupancy, an occupancy shall be deemed to include subsidiary occupancies which are contingent upon it.

**2.47 Occupant Load** — Maximum number of persons that might occupy a building or portion thereof at any one time.

**2.48 Place of Comparative Safety** — Places within a building where people can stay little longer until evacuation, for example, refuge areas, terrace, fire/smoke separated compartments, etc.

**2.49 Pressurization** — The establishment of a pressure difference across a barrier to protect exit, stairway, lobby, exit passageway or room of a building from smoke penetration.

**2.50 Pressurization Level** — The pressure difference between the pressurized space and the adjoining area served by the pressurized space expressed in Pascal (Pa).

**2.51 Public Way** — A street, alley, or other similar parcel of land essentially open to the outside air, dedicated, or otherwise permanently appropriated to the public for public use and having a clear width and height of not less than 3 m.

**2.52 Ramp** — The construction, in the form of an inclined plane that is steeper than or equal to 1 : 20 (5 percent) from the horizontal, together with any intermediate landing, that makes it possible to pass from one level to another.

**2.53 Refuge Area** — An area within the building for a temporary use during egress. It generally serves as a staging area which is protected from the effect of fire and smoke.

**2.54 Roof Exits** — A means of escape on to the roof of a building, where the roof has access to it from the ground through alternative stair case or adjacent building.

**2.55 Site (Plot)** — A parcel (piece) of land enclosed by definite boundaries.

**2.56 Smoke Barrier** — A continuous membrane, or a membrane, where such membrane is designed and constructed to restrict the movement of smoke.

**2.57 Smoke Compartment** — A space within a building enclosed by smoke barriers on all sides.

**2.58 Stack Pressure** — Pressure difference caused by a temperature difference creating an air movement within a duct, chimney or enclosure.

**2.59 Travel Distance** — The distance to be travelled from any point in a building to a protected exit or external escape route or final exit measured along the line of travel.

**2.60 Ventilation** — Supply of outside air into, or the removal of inside air from an enclosed space.

**2.61 Venting Fire** — The process of facilitating heat and smoke to leave a building as quickly as possible by such paths so that lateral spread of fire and heat is checked, firefighting operations are facilitated and minimum fire damage is caused.

**2.62 Visual Strobes/Flashing** — It is an audio-visual fire alarm for alerting persons with hearing impairment with flashing light. The strobe frequency should be from 0.5 Hz to 4.0 Hz.

NOTE — Care should be taken to ensure that overlapping strobes do not combine to result in a higher frequency of flashing.

**2.63 Volume to Plot Area Ratio (VPR)** — The ratio of volume of building measured in cubic metre to the area of the plot measured in square metre and expressed in metre.

## 2.64 Water Based Systems

**2.64.1 Hydrant System** — A distribution system having a network of piping installed underground/above-ground around and/or through inside of a building with internal and/or external hydrants fitted with landing valves at regular intervals according to the occupancy. The distribution system is connected to water supply system for firefighting.

**2.64.2 Automatic Sprinkler System** — A system of water pipes fitted with sprinkler heads at suitable intervals and heights and designed to actuate automatically, control and extinguish a fire by the discharge of water.

**2.64.3 Automatic Water Spray Systems** — A special fixed pipe system connected to a reliable source of fire protection water supply and equipped with water spray nozzles for specific water discharge and distribution over the surface or area to be protected. The piping system is connected to the water supply through an automatically actuated deluge valve which initiates flow of water. Automatic actuation is achieved by operation of automatic detecting equipment installed along with water spray nozzles. There are two types of systems namely high velocity and medium velocity systems.

**2.64.4 Water Mist Systems** — A distribution system connected to a pumping and water supply system that is equipped with nozzles capable of delivering water mist to the part/entire enclosure or area, intended to control, suppress, or extinguish fire and is capable of meeting the specified performance requirements.

**2.64.5 Foam Protection System** — Firefighting systems where foam is made by mechanically mixing air with a solution consisting of fresh water to which a foaming agent (liquid concentrate) has been added. Firefighting foam is a stable aggregation of small bubbles of density lower than oil or water, and shows tenacious qualities for covering horizontal surfaces. There are three types of foam applications that is, low, medium and high expansion foams depending upon the application.

**2.65 Wet Riser** — An arrangement for firefighting within the building by means of vertical rising mains not less than 100 mm nominal diameter with landing valves on each floor/landing for firefighting purposes and permanently charged with water from a pressurized supply.

NOTE — For definition of other terms, reference shall be made to accepted standards [4(3)].

## 3 FIRE PREVENTION

### 3.1 Classification of Buildings Based on Occupancy

#### 3.1.1 General Classification

All buildings, whether existing or hereafter erected shall be classified according to use or the character of



occupancy in one of the following groups:

Group A	Residential
Group B	Educational
Group C	Institutional
Group D	Assembly
Group E	Business
Group F	Mercantile
Group G	Industrial
Group H	Storage
Group J	Hazardous

The details of each occupancy and example of buildings in each group are given in **3.1.2** to **3.1.10**.

### 3.1.1.1 Minor occupancy

This is purely incidental to operations in a main occupancy, which shall be considered as part of the main occupancy and shall be classified under the relevant group for the main occupancy.

### 3.1.1.2 Mixed occupancy

Where two or more types of occupancies intermingle in the same building, the entire building shall be treated as mixed occupancy and the same shall comply with **3.1.12**.

### 3.1.2 Group A Residential Buildings

These shall include any building in which sleeping accommodation is provided for normal residential purposes with or without cooking or dining or both facilities, except any building classified under Group C.

Buildings and structures under Group A shall be further subdivided as follows:

Subdivision A-1	Lodging and rooming houses
Subdivision A-2	One or two family private dwellings
Subdivision A-3	Dormitories
Subdivision A-4	Apartment houses
Subdivision A-5	Hotels
Subdivision A-6	Starred hotels

- a) *Subdivision A-1 Lodging and rooming houses* — These shall include any building or group of buildings under the same management, in which separate sleeping accommodation on transient or permanent basis, with or without dining facilities but without cooking facilities for individuals is provided. This includes inns, clubs, motels and guest houses.

NOTE — A lodging or rooming house shall be classified as a dwelling in Subdivision A-2, if no room in any of its private dwelling units is rented to more than three persons.

- b) *Subdivision A-2 One or two family private dwellings* — These shall include any private dwelling, which is occupied by members of one or two families and has a total sleeping accommodation for not more than 20 persons.

If rooms in a private dwelling are rented to outsiders, these shall be for accommodating not more than three persons per room.

If sleeping accommodation for more than 20 persons is provided in any one residential building, it shall be classified as a building in Subdivision A-1 or Subdivision A-4 as the case may be.

- c) *Subdivision A-3 Dormitories* — These shall include any building in which group sleeping accommodation is provided, with or without dining facilities for persons who are not members of the same family, in one room or a series of closely associated rooms under joint occupancy and single management, for example, school and college dormitories, students, and other hostels and military barracks.
- d) *Subdivision A-4 Apartment houses* — These shall include any building or structure in which living quarters are provided for three or more families, living independently of each other and with independent cooking facilities, for example, apartment houses, mansions and *Chawls*.
- e) *Subdivision A-5 Hotels* — These shall include any building or group of buildings under single management, in which sleeping accommodation is provided, with or without dining facilities for hotels classified up to Four Star Category.
- f) *Subdivision A-6 Starred hotels* — These shall include the hotels duly approved by the concerned authorities as Five Star and above hotels.

### 3.1.3 Group B Educational Buildings

These shall include any building used for school, college, other training institutions involving assembly for instruction, education or recreation for not less than 20 students.

Buildings and structures under Group B shall be further subdivided as follows:

Subdivision B-1	Schools up to senior secondary level
Subdivision B-2	All others/training institutions
a) <i>Subdivision B-1 Schools up to senior secondary level</i>	— This subdivision shall

include any building or a group of buildings under single management which is used for students not less than 20 in number.

- b) *Subdivision B-2 All others/training institutions* — This subdivision shall include any building or a group of buildings under single management which is used for students not less than 100 in number.

In the case of temporary buildings/structures which are utilized for educational purposes, the provisions of 3.2.5.3 shall apply.

If residential accommodation is provided in the schools/institutions that portion of occupancy shall be classified as a building in Subdivision A-3.

### 3.1.4 Group C Institutional Buildings

These shall include any building or part thereof, which is used for purposes, such as medical or other treatment or care of persons suffering from physical or mental illness, disease or infirmity; care of infants, convalescents or aged persons and for penal or correctional detention in which the liberty of the inmates is restricted. Institutional buildings ordinarily provide sleeping accommodation for the occupants.

Buildings and structures under Group C shall be further subdivided as follows:

- Subdivision C-1 Hospitals and sanatoria
- Subdivision C-2 Custodial institutions
- Subdivision C-3 Penal and mental institutions
- a) *Subdivision C-1 Hospitals and sanatoria* — This subdivision shall include any building or a group of buildings under single management, which is used for housing persons suffering from physical limitations because of health or age and those incapable of self-preservation, for example, hospitals, infirmaries, sanatoria and nursing homes.
- b) *Subdivision C-2 Custodial institutions* — This subdivision shall include any building or a group of buildings under single management, which is used for the custody and care of persons, such as children, convalescents and the aged who are incapable of self-preservation, for example, homes for the aged and infirm, convalescent homes and orphanages.
- c) *Subdivision C-3 Penal and mental institutions* — This subdivision shall include any building or a group of buildings under single management, which is used for housing persons under restraint, or who are detained for penal or corrective purposes, in which the liberty of the inmates is restricted, for

example, jails, prisons, mental hospitals, mental sanatoria and reformatories.

### 3.1.5 Group D Assembly Buildings

These shall include any building or part of a building, where not less than 50 persons congregate or gather for amusement, recreation, social, religious, patriotic, civil, travel and similar purposes, for example, theatres; motion picture houses; assembly halls; auditoria; exhibition halls; museums; skating rinks; gymnasiums; restaurants; places of worship; dance halls; club rooms; passenger stations and terminals of air, surface and marine public transportation services; and stadia.

Buildings under Group D shall be further subdivided as follows:

- Subdivision D-1 Buildings having a theatrical or motion picture or any other stage and fixed seats for over 1 000 persons
- Subdivision D-2 Buildings having a theatrical or motion picture or any other stage and fixed seats up to 1 000 persons
- Subdivision D-3 Buildings without a permanent stage having accommodation for 300 or more persons but no permanent seating arrangement
- Subdivision D-4 Buildings without a permanent stage having accommodation for less than 300 persons with no permanent seating arrangement
- Subdivision D-5 All other structures including temporary structures designed for assembly of people not covered by Subdivisions D-1 to D-4, at ground level
- Subdivision D-6 Buildings having mixed occupancies of assembly and mercantile (for example, shopping malls providing facilities such as shopping, cinema theatres, multiplexes and restaurants/food courts)
- Subdivision D-7 Underground and elevated mass rapid transit system
- a) *Subdivision D-1* — This subdivision shall include any building primarily meant for theatrical or operatic performances and which has a stage, proscenium curtain, fixed or portable scenery or scenery loft, lights, mechanical appliances or other theatrical

accessories and equipment for example, theatres, motion picture houses, auditoria, concert halls, television and radio studios admitting an audience and which are provided with fixed seats for over 1 000 persons.

- b) *Subdivision D-2* — This subdivision shall include any building primarily meant for use as described for Subdivision D-1, but with fixed seats up to 1 000 persons.
- c) *Subdivision D-3* — This subdivision shall include any building, its lobbies, rooms and other spaces connected thereto, primarily intended for assembly of people, but which has no theatrical stage or permanent theatrical and/or cinematographic accessories and has accommodation for 300 persons or more, for example, dance halls, night clubs, halls for incidental picture shows, dramatic, theatrical or educational presentation, lectures or other similar purposes having no theatrical stage except a raised platform and used without permanent seating arrangement; art galleries, community halls, marriage halls, places of worship, museums, lecture halls, passenger terminals and heritage and archaeological monuments, pool and billiard parlours, bowling alleys, community halls, courtrooms, gymnasiums (without spectator seating), indoor swimming pools (without spectator seating), indoor tennis courts (without spectator seating).
- d) *Subdivision D-4* — This subdivision shall include any building primarily intended for use as described in Subdivision D-3, but with accommodation for less than 300 persons with no permanent seating arrangements.
- e) *Subdivision D-5* — This subdivision shall include any building or structure, permanent or temporary meant for assembly of people not covered by Subdivisions D-1 to D-4, for example, grandstands, stadia, amusement park structures, reviewing stands and circus tents, arenas, external swimming pools, tennis and similar type of courts.
- f) *Subdivision D-6* — This subdivision shall include any building for assembly of people provided with multiple services/facilities like shopping, cinema theatres, multiplexes, restaurants/food court.
- g) *Subdivision D-7* — This subdivision shall include any building or structure like example, underground or elevated railways.

### 3.1.6 Group E Business Buildings

These shall include any building or part thereof which is used for transaction of business for keeping of accounts and records and similar purposes, professional establishments, service facilities, etc. City halls, town halls, courthouses and libraries shall be classified in this group so far as the principal function of these is transaction of public business and keeping of books and records.

Buildings under Group E shall be further subdivided as follows:

- Subdivision E-1 Offices, banks, professional establishments, like offices of architects, engineers, doctors, lawyers, post offices and police stations
- Subdivision E-2 Laboratories, outpatient clinics, research establishments, libraries and test houses
- Subdivision E-3 Electronic data processing centres, computer installations, information technology parks and call centres
- Subdivision E-4 Telephone exchanges
- Subdivision E-5 Broadcasting stations, T.V. stations and air traffic control towers

### 3.1.7 Group F Mercantile Buildings

These shall include any building or part thereof, which is used as shops, stores, market, for display and sale of merchandise, either wholesale or retail.

Mercantile buildings shall be further subdivided as follows:

- Subdivision F-1 Shops, stores, departmental stores, markets (any with covered area up to 500 m<sup>2</sup>)
- Subdivision F-2 Shops, stores, departmental stores, markets (any with covered area more than 500 m<sup>2</sup>)
- Subdivision F-3 Underground shopping centres

Storage and service facilities incidental to the sale of merchandise and located in the same building shall also be included under this group.

### 3.1.8 Group G Industrial Buildings

These shall include any building or part of a building or structure, in which products or materials of all kinds and properties are fabricated, assembled, manufactured or processed, for example, assembly plants, industrial laboratories, dry cleaning plants, power plants,



generating units, pumping stations, fumigation chambers, laundries, buildings or structures in gas plants, refineries, dairies and saw-mills, etc.

Buildings under Group G shall be further subdivided as follows:

- |                 |   |
|-----------------|---|
| Subdivision G-1 | Buildings used for low hazard industries      |
| Subdivision G-2 | Buildings used for moderate hazard industries |
| Subdivision G-3 | Buildings used for high hazard industries     |

The hazard of occupancy, for the purpose of the Code, shall be the relative danger of the start and spread of fire, the danger of smoke or gases generated, the danger of explosion or other occurrences potentially endangering the lives and safety of the occupants of the buildings.

Hazard of occupancy shall be determined by the Authority on the basis of the fire loads of the contents, and the processes or operations conducted in the building, provided, however, that where the combustibility of the material, the flame spread rating of the interior finish or other features of the building or structure are such as to involve a hazard greater than the occupancy hazard, the greater degree of hazard shall govern the classification.

For determination of fire loads and fire load density for arriving at the classification of occupancy hazard, guidance on calorific values of some common materials is given at Annex A.

A broad classification of industrial occupancies into low, moderate and high hazard classes is given at Annex B, for guidance. Any occupancy not covered in Annex B, shall be classified in the most appropriate class depending on the degree of hazard.

Where different degrees of hazard of occupancy exist in different parts of a building, the most hazardous of those shall govern the classification for the purpose of this Code, except in cases where hazardous areas are segregated or protected as specified in the Code.

- a) *Subdivision G-1* — This subdivision shall include any building in which the contents are of such comparative low combustibility and the industrial processes or operations conducted therein are of such a nature that there is hardly any possibility for any self-propagating fire to occur and the only consequent danger to life and property may arise from panic, fumes or smoke, or fire from some external source.

- b) *Subdivision G-2* — This subdivision shall include any building in which the contents or industrial processes or operations conducted therein are liable to give rise to a fire which will burn with moderate rapidity or result in other hazardous situation and may give off a considerable volume of smoke, but from which neither toxic fumes nor explosions are to be feared in the event of fire.

- c) *Subdivision G-3* — This subdivision shall include any building in which the contents or industrial processes or operations conducted therein are liable to give rise to a fire which will burn with extreme rapidity or result in other hazardous situation or from which poisonous fumes or explosions are to be feared in the event of a fire.

### 3.1.9 Group H Storage Buildings

These shall include any building or part of a building used primarily for the storage or sheltering (including servicing, processing or repairs incidental to storage) of goods, ware or merchandise (except those that involve highly combustible or explosive products or materials), vehicles or animals, for example, warehouses, cold storages, freight depots, transit sheds, storehouses, truck and marine terminals, garages, hangars, grain elevators, barns and stables. Storage properties are characterized by the presence of relatively small number of persons in proportion to the area. Any new use which increases the number of occupants to a figure comparable with other classes of occupancy shall change the classification of the building to that of the new use, for example, hangars used for assembly purposes, warehouses used for office purposes, garage buildings used for manufacturing.

### 3.1.10 Group J Hazardous Buildings

These shall include any building or part thereof which is used for the storage, handling, manufacture or processing of highly combustible or explosive materials or products which are liable to burn with extreme rapidity and/or which may produce poisonous fumes or explosions for storage, handling, manufacturing or processing which involve highly corrosive, toxic or noxious alkalis, acids or other liquids or chemicals producing flame, fumes and explosive, poisonous, irritant or corrosive gases; and for the storage, handling or processing of any material producing explosive mixtures of dust which result in the division of matter into fine particles subject to spontaneous ignition. Examples of buildings in this class are those buildings which are used for,

- a) storage, under pressure of more than 0.1 N/mm<sup>2</sup> and in quantities exceeding 70 m<sup>3</sup>,

of acetylene, hydrogen, illuminating and natural gases, ammonia, chlorine, phosgene, sulphur dioxide, carbon dioxide, methyloxide and all gases subject to explosion, fume or toxic hazard, cryogenic gases, etc;

- b) storage and handling of hazardous and highly flammable liquids, liquefiable gases like LPG, rocket propellants, etc;
- c) storage and handling of hazardous and highly flammable or explosive materials (other than liquids); and
- d) manufacture of artificial flowers, synthetic leather, ammunition, explosives and fireworks.

NOTE — A list of hazardous substances giving quantities, for which or exceeding which owners handling such substances are required to be covered under *The Public Liability Insurance Act, 1991*, has been notified under the 'Rules on Emergency Planning, Preparedness and Response for Chemical Accidents' by the Govt. of India, Ministry of Environment and Forests Notification No. G.S.R. 347(E) dated 01 August 1996.

### 3.1.11 Mixed Occupancy

In case of mixed occupancy, in so far as fire protection is concerned, all the occupancies/the entire building shall be governed by the most restrictive provisions of the Code among those applicable for individual occupancies. The provisions for life safety given in the Code for individual occupancy shall, however, apply to the respective occupancies. Exits in such mixed occupancy shall be arranged so as to ensure that means of egress is not decreased in the direction of egress travel.

Further, in such mixed occupancies, the occupancies are also required to be separated (horizontally and/or vertically as the case may be) by a 240 min fire resistance rating.

**3.1.12** Where change in the occupancy of any building places it in a different group or in a different subdivision of the same group, such building shall be made to comply with the requirements of the Code for the new group or its subdivision.

**3.1.13** Where the new occupancy of a building is less hazardous, based on life and fire risk, than its existing occupancy, it shall not be necessary to conform to the requirements of the Code for the new group or its subdivision.

**3.1.14** A certificate of occupancy shall be necessary, as required under Part 2 'Administration' of the Code, before any change is effected in the character of occupancy of any building.

## 3.2 Fire Zones

### 3.2.1 Demarcation

The city or area under the jurisdiction of the Authority shall, for the purpose of the Code, be demarcated into distinct zones, based on fire hazard inherent in the buildings and structures according to occupancy (*see 3.1*), which shall be called as 'Fire Zones'.

### 3.2.2 Number and Designation of Fire Zones

**3.2.2.1** The number of fire zones in a city or area under the jurisdiction of the Authority depends upon the existing layout, types of building construction (*see 3.3*), classification of existing buildings based on occupancy (*see 3.1*) and expected future development of the city or area. In large cities or areas, three fire zones may be necessary, while in smaller ones, one or two may be adequate.

**3.2.2.2** The fire zones shall be made use of in land use development plan and shall be designated as follows:

- a) *Fire Zone No. 1* — This shall comprise areas having residential (Group A), educational (Group B), institutional (Group C), assembly (Group D), small business (Subdivision E-1) and mercantile (Group F) buildings, or areas which are under development for such occupancies.
- b) *Fire Zone No. 2* — This shall comprise business (Subdivisions E-2 to E-5) and industrial buildings (Subdivisions G-1 and G-2), except high hazard industrial buildings (Subdivision G-3) or areas which are under development for such occupancies.
- c) *Fire Zone No. 3* — This shall comprise areas having high hazard industrial buildings (Subdivision G-3), storage buildings (Group H) and buildings for hazardous uses (Group J) or areas which are under development for such occupancies.

### 3.2.3 Change in the Fire Zone Boundaries

When the boundaries of any fire zone are changed, or when it is intended to include other areas or types of occupancies in any fire zone, it shall be done by following the same procedure as for promulgating new rules or ordinances or both.

### 3.2.4 Overlapping Fire Zone

**3.2.4.1** When any building is so situated that it extends to more than one fire zone, it shall be deemed to be in the fire zone in which the major portion of the building or structure is situated.

**3.2.4.2** When any building is so situated that it extends equally to more than one fire zone, it shall be deemed

to be in the fire zone having more hazardous occupancy buildings.

### 3.2.5 Temporary Buildings or Structures

**3.2.5.1** Temporary buildings and structures shall be permitted only in Fire Zones No. 1 and 2 as the case may be, according to the purpose for which these are to be used, by special permit from the Authority for a limited period and subject to such conditions as may be imposed in the permit.

**3.2.5.2** Such buildings and temporary structures shall be completely removed on the expiry of the period specified in the permit.

**3.2.5.3** Adequate fire precautionary measures in the construction of temporary structures and *Pandals* shall be taken in accordance with good practice [4(4)].

### 3.2.6 Restrictions on the Type of Construction for New Buildings

These shall be as follows:

- a) Buildings erected in Fire Zone No. 1 shall conform to construction of Type 1, 2, 3 or 4.
- b) Buildings erected in Fire Zone No. 2 shall conform to construction of Type 1, 2 or 3.
- c) Buildings erected in Fire Zone No. 3 shall conform to construction of Type 1 or 2.

### 3.2.7 Restrictions on Existing Buildings

The existing buildings in any fire zone shall not be required to comply with the requirements of the Code unless these are altered, or in the opinion of the Authority, such building constitutes a hazard to the safety of the adjacent property or to the occupants of the building itself or is an unsafe building. In the event of alteration, it shall be necessary to obtain permission of the Authority for such alteration consistent with fire hazard (*see* Part 2 'Administration' of the Code).

Alterations/modifications/renovations shall be accomplished so as to ensure conformity with all the safety requirements of the new buildings. Such alterations shall not in any way bring down level of fire and life safety below that which existed earlier. Any addition or alterations or construction of cubicles or partitioning, for floor area exceeding 500 m<sup>2</sup> for all high rise buildings shall be with the approval of local fire authority.

## 3.3 Types of Construction

**3.3.1** The design of any building and the type of materials used in its construction are important factors in making the building resistant to a complete burn-out and in preventing the rapid spread of fire, smoke or fumes, which may otherwise contribute to the loss of lives and property.

The fire resistance of a building or its structural and non-structural elements is expressed in minutes against a specified fire load which is expressed in kcal/m<sup>2</sup>, and against a certain intensity of fire. The fire-resistance test for structural element shall be done in accordance with accepted standards [4(2)]. For the purpose of the Code, the types of construction according to fire resistance shall be classified into four categories, namely, Type 1 Construction, Type 2 Construction, Type 3 Construction and Type 4 Construction. The minimum fire resistance ratings of structural and non-structural members for various types of construction shall be as given in Table 1.

Non-combustible materials should be used for construction of buildings, and the internal walls of staircase enclosures should be of brick work or reinforced concrete or any other material of construction with minimum of 120 min rating. The walls for the chimney shall be of Type 1 or Type 2 Construction depending on whether the flue gas temperature is above 200°C or less, respectively.

**3.3.2** It is required that a structural and/or non-structural element/component shall have the requisite fire resistance rating as per Table 1. The fire resistance rating for the structural and non-structural elements shall be based on guidelines as per approved and accepted standards. The fire rating shall be validated and certified with a view to meeting the requirements of Table 1. In the absence of any validated/certified rating, guidance may be obtained from the information available in Annex C.

**3.3.3** Load bearing steel beams and columns of buildings having total covered area of 500 m<sup>2</sup> and above shall be protected against failure/collapse of structure in case of fire. This could be achieved by use of appropriate methodology using suitable fire resistance rated materials along with suppression system (*see* Annex C, Table 25 and Table 26).

**3.3.4** The false ceiling, including all fixtures used for its suspension, shall be of non-combustible material and shall provide adequate fire resistance to the ceiling in order to prevent spread of fire across ceiling.

## 3.4 General Requirements of All Individual Occupancies

### 3.4.1 General

All buildings shall satisfy certain requirements, which contribute, individually and collectively, to the safety of life from fire, smoke, fumes and panic arising from these or similar causes. There are, however, certain general principles and common requirements, which are applicable to all or most of the occupancies.

**Table 1 Fire Resistance Ratings of Structural and Non-Structural Elements (minutes)**  
(Clauses 3.3.1 and 3.3.2)

SI No.	Structural Element	Fire Resistance Ratings (min) for Type of Construction			
		Type 1	Type 2	Type 3	Type 4
(1)	(2)	(3)	(4)	(5)	(6)
i)	Exterior walls:				
	a) Fire separation less than 3.7 m:				
	1) Bearing	240	120	120	60
	2) Non-bearing	120	90	60	60
	b) Fire separation of 3.7 m or more but less than 9 m:				
	1) Bearing	240	120	120	60
	2) Non-bearing	90	60	60	60
	c) Fire separation of 9 m or more:				
	1) Bearing	240	120	120	60
	2) Non-bearing	60	60	60	60
ii)	Fire separation assemblies (like fire check doors)	120	120	120	120
iii)	Fire enclosures of exits	120	120	120	120
iv)	Shafts for services, lift hoistway and refuse chutes	120	120	120	120
v)	Vertical separation between adjacent tenant spaces	60	60	60	60
vi)	Dwelling unit separation:				
	a) Load bearing	120	120	60	60
	b) Non-load bearing	60	60	30	30
vii)	Interior bearing walls, bearing partitions, columns, beams, girders, trusses (other than roof trusses) and framing:				
	a) Supporting more than one floor	240	120	120	120
	b) Supporting one floor only	180	90	60	60
	c) Supporting a roof only	180	90	60	60
viii)	Walls supporting structural members	180	90	60	60
ix)	Floor construction	120	90	60	60
x)	Roof construction:				
	a) 5 m or less in height to lowest member	120	90	60	60
	b) More than 5 m but less than 6.7 m in height to lowest member	60	60	60	60
	c) 6.7 m or more in height to lowest member	0	0	0	0

NOTES

1 The above fire resistance rating shall be required to achieve the respective type of construction unless otherwise specified in the respective clauses for different applications/use.

2 In case of lift bank, the partition wall, if any, need not be of fire rating specified in this table.

### 3.4.2 Exceptions and Deviations

Exceptions and deviations to the general provisions of requirements of individual occupancies are given as applicable to each type of occupancy in 6.1 to 6.9. In case of practical difficulty or to avoid unnecessary hardship, without sacrificing reasonable safety, local head, fire services may consider exemptions from the Code.

### 3.4.3 Occupation of Buildings under Construction

**3.4.3.1** A building or portion of the building may be occupied during construction, repairs, alterations or additions only if all means of exit and fire protection measures are in place and continuously maintained for the occupied part of the building.

**3.4.3.2** A high rise building during construction shall be provided with the following fire protection measures, which shall be maintained in good working condition at all the times:

- Dry riser of minimum 100 mm diameter pipe with hydrant outlets on the floors constructed with a fire service inlet to boost the water in the dry riser and maintenance should be in accordance with good practice [4(5)].
- Drums of 2 000 litre capacity filled with water with two fire buckets on each floor;
- A water storage tank of minimum 20 000 litre capacity, which may be used for other construction purposes also.



**3.4.4 Maximum Height, Floor Area Ratio and Open Spaces**

**3.4.4.1** Every building shall be restricted in its height above the ground level and the number of storeys, depending upon its occupancy and the type of construction. The height shall be measured as specified in Part 3 ‘Development Control Rules and General Building Requirements’ of the Code. The maximum permissible height for any combination of occupancy and types of construction should necessarily be related to the width of street fronting the building, or floor area ratios and the local firefighting facilities available.

NOTE — Set-back distances (according to the permissible height for each type of building as per the occupancy), width of streets providing approach to the building, permitted floor area ratio (FAR), permitted open space around or inside buildings, provision of adequate passageway and clearances required for firefighting vehicles, etc shall be strictly governed by the provisions of Part 3 ‘Development Control Rules and General Building Requirements’ of the Code.

**3.4.4.2 Floor area ratio**

The comparative floor area ratios for different occupancies and types of construction are given in Table 2 (see also Part 3 ‘Development Control Rules and General Building Requirements’ of the Code).

**3.4.4.3** The requirements of open space around the building(s) shall be in accordance with Part 3 ‘Development Control Rules and General Building Requirements’ of the Code.

**3.4.5 Openings in Fire Resistant Walls and Floors**

**3.4.5.1** At the time of designing openings in fire resistant walls and floors, particular attention shall be paid to all such factors which limit fire spread through these openings and maintain fire rating of the structural members.

**3.4.5.2** For Types 1 to 3 constructions, a doorway or opening in a fire resistant wall on any floor shall be limited to 5.6 m<sup>2</sup> in area with a maximum height/width of 2.75 m. Every wall opening shall be protected with fire-resisting doors, having the fire rating of not less than 120 min. The openings in the floors shall be protected by vertical enclosures extending above and below such openings, such enclosures having a fire resistance of not less than 120 min and all openings therein being protected with a fire-resisting assembly as specified in **3.4.5.6**.

For escalator openings, the smoke spill shall be avoided by provision of smoke barrier (of 450-600 mm) thereby creating smoke compartment. Further, the protection shall be ensured through installation of sprinklers on all sides of the cut out opening on each floor (see Fig. 3 for details).

**3.4.5.3** For Type 4 construction, openings in the fire separating walls or floors shall be fitted with 120 min fire-resistance rated assemblies.

**Table 2 Comparative Floor Area Ratios for Occupancies Facing One Public Street at least 9 m Wide (Clause 3.4.4.2)**

Sl No.	Occupancy Classification	Type of Construction			
		Type 1	Type 2	Type 3	Type 4
(1)	(2)	(3)	(4)	(5)	(6)
i)	Residential	UL	2.0	1.4	1.0
ii)	Educational	UL	2.0	1.4	1.0
iii)	Institutional	UL	1.5	1.0	0.8
iv)	Assembly	UL	1.0	0.7	0.5
v)	Business	UL	2.9	2.3	1.6
vi)	Mercantile	8.0	1.8	1.4	1.0
vii)	Industrial	7.5	1.9	1.6	1.3
viii)	Storage (see Note 5)	6.0	1.5	1.3	1.0
ix)	Hazardous (see Note 5)	2.8	1.1	0.9	NP

UL — Unlimited.

NP — Not permitted.

**NOTES**

**1** The FAR values given in this table are subject to overall restrictions on the heights of buildings in the case of educational, institutional, assembly, storage and hazardous occupancies as specified in col 2 of Table 7.

**2** This table has been prepared, taking into account the combustible content in the different occupancies as well as the fire resistance offered by the type of construction.

**3** This table should be modified by the Authority, taking into account the other aspects as given below:

- a) Density in terms of dwelling units per hectare;
- b) Traffic considerations;
- c) Parking spaces;
- d) Local fire-fighting facilities; and
- e) Water supply, drainage and sanitation requirements.

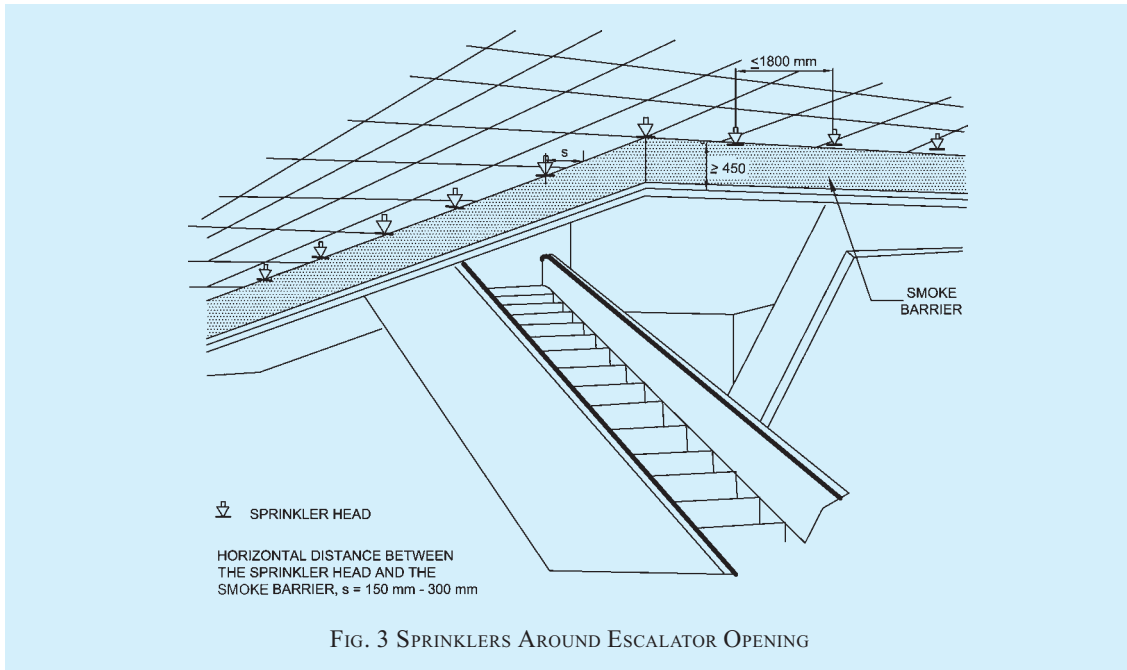
**4** The FAR values specified in this table may be increased by 20 percent for the following services:

- a) A basement or cellar space under a building constructed on stilts and used as a parking space and air conditioning plant room used as accessory to the principal use;
- b) Watchman’s booth, pump house, garbage shaft, electric cabin or substation and other utility structures meant for the services of the building under considerations;
- c) Projections and accessory buildings as specifically exempted under the Code; and
- d) Staircase room and lift rooms above the topmost storey; architectural feature; and chimneys and elevated tanks of dimensions as permissible under the Code; the area of the lift shaft shall be taken only on one floor.

**5** In so far as single storey storage and hazardous occupancies are concerned, they would be further governed by volume to plot area ratio (VPR) to be decided by the Authority.

**3.4.5.4 Service ducts and shafts**

Openings in walls or floors which are necessary to be provided to allow passages of all building services like cables, electrical wirings, telephone cables, plumbing pipes, etc, shall be protected by enclosure in the form of ducts/shafts having a fire resistance not less than 120 min. The inspection door for electrical shafts/ducts



shall be not less than 120 min. Further, medium and low voltage wiring running in shafts/ducts, shall either be armoured type or run through metal conduits.

The space between the electrical cables/conduits and the walls/slabs shall be filled in by a fire stop material having fire resistance rating of not less than 120 min. This shall exclude requirement of fire stop sealing for low voltage services shaft.

For plumbing shafts in the core of the building, with shaft door opening inside the building, the shafts shall have inspection doors having fire resistance rating not less than 30 min.

For plumbing shafts doors which open in wet areas or in naturally ventilated areas or on external wall of the building, the shafts may not require doors having any specified fire rating.

NOTE — In the case of buildings where it is necessary to lower or lift heavy machinery or goods from one floor to the other, it may be necessary to provide larger openings in the floor. Such openings shall be provided with removable covers which shall have the same strength and fire resistance as the floor.

### 3.4.5.5 Refuse chutes

Refuse chutes, if any provided in a building, shall have opening at least 1 m above roof level for venting purpose and they shall have an enclosure wall of non-combustible material with fire resistance of not less than 120 min. They shall not be located within the staircase enclosure or service shafts, or air conditioning shafts. Refuse chutes inspection panel and doors shall be tight fitting with 60 min fire resistance. Sprinkler protection system shall be provided for the refuse chutes. Refuse chutes shall be at least 6 m away from exits.

### 3.4.5.6 Vertical opening

Every vertical opening between the floors of a building shall be suitably enclosed or protected, as necessary, to provide the following:

- a) Reasonable safety to the occupants while using the means of egress by preventing spread of fire, smoke, or fumes through vertical openings from floor to floor to allow occupants to complete their use of the means of egress. Further it shall be ensured to provide a clear height of 2 100 mm in the exit access.
- b) Limitation of damage to the building and its contents.

### 3.4.6 Electrical Installation

**3.4.6.1** For requirements regarding electrical installations from the point of view of fire safety, reference may be made to good practice [4(6)] and Part 8 ‘Building Services, Section 2 Electrical and Allied Installations’ of the Code.

In general, it is desirable that the wiring and cabling are with flame retardant property. Medium and low voltage wiring running in shafts, and within false ceiling shall run in metal conduit. Any 230 V wiring for lighting or other services, above false ceiling, shall have 660 V grade insulation.

The electric distribution cables/wiring shall be laid in a separate shaft. The shaft shall be sealed at every floor with fire stop materials having the same fire resistance as that of the floor. High, medium and low voltage wiring running in shaft and in false ceiling shall run in separate shaft/conduits.

Water mains, gas pipes, telephone lines, intercom lines or any other service line shall not be laid in the duct for electrical cables; use of bus ducts/solid rising mains instead of cables is preferred.

All metallic items like steel structural members, etc, shall be bonded properly to the earthing system.

#### **3.4.6.2 Emergency power for fire and life safety systems**

Emergency power supplying distribution system for critical requirement for functioning of fire and life safety system and equipment shall be planned for efficient and reliable power and control supply to the following systems and equipment where provided:

- a) Fire pumps.
- b) Pressurization and smoke venting; including its ancillary systems such as dampers and actuators.
- c) Fireman's lifts (including all lifts).
- d) Exit signage lighting.
- e) Emergency lighting.
- f) Fire alarm system.
- g) Public address (PA) system (relating to emergency voice evacuation and annunciation).
- h) Magnetic door hold open devices.
- j) Lighting in fire command centre and security room.

Power supply to these systems and equipment shall be from normal and emergency (standby generator) power sources with changeover facility. If power supply, is from HV source and HV generation, the transformer should be planned in standby capacity to ensure continuity of power to such systems. Wherever transformers are installed at higher levels in buildings and backup DG sets are of higher voltage rating, then dual redundant cables shall be taken to all transformers. The generator shall be capable of taking starting current of all the fire and life safety systems and equipment as above. Where parallel HV/LV supply from a separate substation fed from different grid is provided with appropriate transformer for emergency, the provision of generator may be waived in consultation with the Authority.

The power supply to the panel/distribution board of these fire and life safety systems shall be through fire proof enclosures or circuit integrity cables or through alternate route in the adjoining fire compartment to ensure supply of power is reliable to these systems and equipment. It shall be ensured that the cabling from the adjoining fire compartment is protected within the compartment of vulnerability. The location of the panel/distribution board feeding the fire and life safety system shall be in fire safe zone ensuring supply of power to these systems.

Circuits of such emergency system shall be protected at origin by an automatic circuit breaker with its no-volt coil removed. Master switches controlling essential service circuits shall be clearly labelled.

Cables for fire alarm and PA system shall be laid in metal conduits or armoured to provide physical segregation from the power cables.

#### **3.4.6.3 Substation/Transformers**

Areas in substation shall not be used as storage/dump areas or for other utility purposes other than those required for the functioning of the substation.

The substation area should be adequately ventilated.

An independent, ventilated or air conditioned MV panel room shall be provided on the ground level or first basement. This room shall be provided with access from outside (or through exit passageway accessible from outside). The MV panel room shall be provided with fire resistant walls and doors of fire resistance of not less than 120 min.

If the licensees agree to provide meters on upper floors, the licensees' cables shall be segregated from consumers' cables by providing a partition in the shaft. Meter rooms on upper floors shall not open into staircase enclosures and should be ventilated directly to open air outside or in electrical room of 120 min fire resistant walls.

Electrical MV main distribution panel and lift panels shall be provided with CO<sub>2</sub>/inert gas flooding system for all panel compartments with a cylinder located beside the panel.

##### **3.4.6.3.1 Oil filled substation**

A substation or a switch-station with oil filled equipment shall be limited to be installed in utility building or in outdoor location. Such substation/utility building shall be at least 7 m away from the adjoining building(s).

Substation equipment (exceeding oil capacity of 2 000 litre) in utility building shall have fire rated baffle walls of 240 min rating constructed between such equipment, raised to at least 600 mm above the height of the equipment (including height of oil conservators) and exceeding 300 mm on each side of the equipment.

All transformers where capacity exceeds 10 MVA shall be protected by high velocity water spray systems or nitrogen injection system.

##### **3.4.6.3.2 Dry type substation**

Transformers located inside a building shall be of dry type and all substation/switch room walls, ceiling, floor, opening including doors shall have a fire resistance



rating of 120 min. Access to the substation shall be provided from the nearest fire exit/exit staircase for the purpose of electrical isolation.

#### 3.4.6.4 Standby supply

Diesel generator set(s) shall not be installed at any floor other than ground/first basement. If the same are installed indoors, proper ventilation and exhaust shall be planned. The DG set room shall be separated by 120 min fire resistance rated walls and doors.

The oil tank for the DG sets (if not in the base of the DG) shall be provided with a dyked enclosure having a volumetric capacity of at least 10 percent more than the volume of the oil tank. The enclosure shall be filled with sand for a height of 300 mm.

For detailed information regarding fire safety requirements for hazardous petroleum products, reference may be made to *The Petroleum Act, 1934* and the Rules framed thereunder.

#### 3.4.6.5 Lightning protection of buildings

Routing of down conductors (insulated or uninsulated) of lightning protection through electrical or other service shafts are not allowed as it can create fire and explosion during lightning. For details, see Part 8 'Building Services, Section 2 Electrical and Allied Installations' of the Code.

#### 3.4.7 Escape Lighting and Exit Signage

Exit access, exits and exit discharge shall be properly identified, with adequate lighting maintained in the elements of the egress systems so that all occupants shall be able to leave the facility safely.

##### 3.4.7.1 Lighting

- a) The exit, exit access and exit discharge systems shall be illuminated continuously. The floors of the means of egress shall be illuminated at all points, including angles and intersections, in corridors and passageways, stairwells, landings of stairwells and exit.
- b) Emergency lighting shall be powered from a source independent of that supplying the normal lighting.
- c) Escape lighting shall be capable of,
  - 1) indicating clearly and unambiguously the escape routes;
  - 2) providing adequate illumination along such routes to allow safe movement of persons towards and through the exits; and
  - 3) ensuring that fire alarm call points and firefighting equipment provided along the escape routes can be readily located.

- d) The horizontal luminance at floor level on the centreline of an escape route shall not be less than 10 lumen/m<sup>2</sup>. In addition, for escape routes up to 2 m wide, 50 percent of the route width shall be lit to a minimum of 5 lumen/m<sup>2</sup>. In auditoriums, theatres, concert halls and such other places of assembly, the illumination of floor exit/access may be reduced during period of performances to values not less than 2 lux.
- e) Required illumination shall be arranged such that the failure of any single lighting unit, such as the burning out of one luminaire, will not leave any area in darkness and does not impede the functioning of the system further.
- f) The emergency lighting shall be provided to be put on within 5 s of the failure of the normal lighting supply. Also, emergency lighting shall be able to maintain the required illumination level for a period of not less than 90 min in the event of failure of the normal lighting even for smaller premises.
- g) Battery pack emergency lighting, because of its limited duration and reliability, shall not be allowed to be used in lieu of a diesel engine driven emergency power supply.
- h) Escape lighting luminaires should be sited to cover the following locations:
  - 1) Near each intersection of corridors,
  - 2) At exits and at each exit door,
  - 3) Near each change of direction in the escape route,
  - 4) Near each staircase so that each flight of stairs receives direct light,
  - 5) Near any other change of floor level,
  - 6) Outside each final exit and close to it,
  - 7) Near each fire alarm call point,
  - 8) Near firefighting equipment, and
  - 9) To illuminate exit and safety signs as required by the enforcing authority.

NOTE — For the purpose of this clause 'near' is normally considered to be within 2 m measured horizontally.
- j) The luminaires shall be mounted as low as possible, but at least 2 m above the floor level.
- k) Signs are required at all exits, emergency exits and escape routes, which should comply with the graphic requirements of the relevant Indian Standards.

**3.4.7.2** Exit passageway (at ground) and staircase lighting shall also be connected to alternative supply. The alternative source of supply may be provided by battery continuously trickle charged from the electric mains.

**3.4.7.3** Suitable arrangements shall be made by installing double throw switches to ensure that the lighting installed in the staircase and the corridor does not get connected to two sources of supply simultaneously. Double throw switch shall be installed in the service room for terminating the stand-by supply.

The emergency lighting system shall be well maintained by periodical inspections and tests so as to ensure their perfect serviceability at all times.

#### **3.4.7.4** *Exit signage*

Where exit access is provided through corridors/paths, the occupants shall be able to easily identify the way to exits. Exit signs shall be provided such that no point in an exit access is more than 30 m from a visible exit directional sign. An exit sign indicating the direction to an exit shall be provided at all changes in direction.

Exits shall be clearly visible and the route to reach the exits shall be clearly marked and signs posted to guide the occupants of the floor concerned. Signs shall be illuminated and wired to an independent electrical circuit on an alternative source of supply. The sizes and colours of the exit signs shall be in accordance with good practice [4(7)]. The colour of the exit signs shall be green.

NOTE — This provision shall not apply to A-2 and A-4 occupancies less than 15 m in height.

The exit sign with arrow indicating the way to the escape route shall be provided at a suitable height from the floor level on the wall and shall be illuminated by electric light connected to corridor circuits. All exit way marking signs should be so installed that no mechanical damage shall occur to them due to moving of furniture or other heavy equipment. Further, all landings of floor shall have floor indicating boards prominently indicating the number of the floor.

Photo luminescent markings shall be pasted at internal hydrant boxes.

### **3.4.8** *Air Conditioning, Ventilation and Smoke Control*

**3.4.8.1** Air conditioning and mechanical ventilation requirements of different rooms or areas in any occupancy shall be as given in Part 8 ‘Building Services, Section 1 Lighting and Natural Ventilation’ and ‘Section 3 Air conditioning, Heating and Mechanical Ventilation’ of the Code.

Air conditioning and ventilating systems shall be so installed and maintained as to minimise the danger of spread of fire, smoke or fumes from one floor to other or from outside to any occupied building or structure.

Many high-rise buildings integrate smoke management systems into their conventional HVAC systems. In such installation, it requires special design considerations,

including safe and adequate controls, acceptable and documented testing and regular maintenance systems.

Wherever batteries are provided, the same shall be segregated by 120 min fire rated construction. Ventilation to the room shall be provided as per manufacturer’s instructions.

#### **3.4.8.2** *Air handling unit*

**3.4.8.2.1** From fire safety point of view, separate air handling units (AHU) for each floor shall be provided so as to avoid the hazards arising from spread of fire and smoke through the air conditioning ducts. The air ducts shall be separate from each AHU to its floor and in no way shall interconnect with the duct of any other floor. Within a floor it would be desirable to have separate air handling unit provided for each compartment.

Air handling unit shall be provided with effective means for preventing circulation of smoke through the system in the case of a fire in air filters or from other sources drawn into the system, and shall have smoke sensitive devices for actuation in accordance with the accepted standard [4(8)] and control.

**3.4.8.2.2** Shafts or ducts, if penetrating multiple floors, shall be of masonry construction with fire damper in connecting ductwork or shall have fire rated ductwork with fire dampers at floor crossing. Alternatively, the duct and equipment may be installed in room having walls, doors and fire damper in duct exiting/entering the room of 120 min fire resistance rating. Such shafts and ducts shall have all passive fire control meeting 120 min fire resistance rating requirement to meet the objective of isolation of the floor from spread of fire to upper and lower floors through shaft/duct work.

NOTE — Zoned and compartmented HVAC systems are encouraged with an approach to avoid common exhaust shafts and fresh air intake shafts which will limit the requirement of such passive measure and fire rated duct work and dampers.

**3.4.8.2.3** The air filters of the air handling units shall be made of non-combustible materials.

**3.4.8.2.4** The air handling unit room shall not be used for storage of any combustible materials.

#### **3.4.8.3** *Duct work*

**3.4.8.3.1** Air ducts serving main floor areas, corridors, etc, shall not pass through the exits/exit passageway/exit enclosure. Exits and lift lobbies, etc, shall not be used as return air passage.

**3.4.8.3.2** As far as possible, metallic ducts shall be used even for the return air instead of space above the false ceiling.

**3.4.8.3.3** Wherever the ducts pass through fire walls or floors, the opening around the ducts shall be sealed

with materials having fire resistance rating of the compartment. Such duct shall also be provided with fire dampers at all fire walls and floors unless such ducts are required to perform for fire safety operation; and in such case fire damper may be avoided at fire wall and floor while integrity of the duct shall be maintained with 120 min fire resistance rating to allow the emergency operations for fire safety requirements.

**3.4.8.3.4** The ducting within compartment would require minimum fire resistance rating of 30 min. Such ducting material in substantial gauge shall be in accordance with good practice [4(9)]. If such duct crosses adjacent compartment/floor and not having fire dampers in such compartment/floor, it would require fire resistance duct work rating of 120 min. The requirements of support of the duct shall meet its functional time requirement as above.

**3.4.8.3.5** The materials used for insulating the duct system (inside or outside) shall be of non-combustible type. Any such insulating material shall not be wrapped or secured by any material of combustible nature.

**3.4.8.3.6** Inspection panels shall be provided in the ductwork to facilitate the cleaning accumulated dust in ducts and to obtain access for maintenance of fire dampers.

#### **3.4.8.4** *Fire or fire/smoke dampers*

**3.4.8.4.1** These dampers shall be evaluated to be located in supply air ducts, fresh air and return air ducts/passages at the following points:

- a) At the fire separation wall,
- b) Where ducts/passages enter the vertical shaft,
- c) Where the ducts pass through floors, and
- d) At the inlet of supply air duct and the return air duct of each compartment on every floor.

**3.4.8.4.2** Damper shall be of motorized type/fusible link. Damper shall be so installed to provide complete integrity of the compartment with all passive fire protection sealing. Damper should be accessible to maintain, test and also replace, if so required. Damper shall be integrated with Fire Alarm Panel and shall be sequenced to operate as per requirement and have interlocking arrangement for fire safety of the building. Manual operation facilities for damper operation shall also be provided.

#### **3.4.9** *Heating*

**3.4.9.1** Installation of chimney and heating apparatus shall be in accordance with good practice [4(10)].

#### **3.4.9.2** *Boiler rooms*

**3.4.9.2.1** Provisions of boiler and boiler rooms shall conform to *The Boilers Act, 1923*.

**3.4.9.2.2** Further, the following additional aspects may be taken into account in the location of boiler room:

- a) The boilers shall be installed in a fire resisting room of 180 min fire resistance rating.
- b) Entry to this room shall be provided with a composite door of 120 min fire resistance rating.
- c) The boiler room shall be provided with its dedicated natural or mechanical ventilation system. Mechanical ventilation system for the boiler room would be accepted with 120 min fire resistance rating ductwork, if it has interface with other mechanical areas. Ventilation system should not be allowed to be routed through electrical room area or through exit corridor/exits.
- d) The oil tank for the boiler shall be provided with a dyked enclosure having a volumetric capacity of at least 10 percent more than the volume of the oil tank. The enclosure shall be filled with sand for a height of 300 mm.

#### **3.4.10** *Glazing*

**3.4.10.1** The glazing shall be in accordance with Part 6 'Structural Design, Section 8 Glass and Glazing' of the Code. The entire glazing assembly shall be rated to that type of construction as given in Table 1. This shall be applicable along with other provisions of this Part related to respective uses as specified therein. The use of glass shall not be permitted for enclosures of exits and exit passageway.

**3.4.10.2** Glass facade shall be in accordance with the following:

- a) For fully sprinklered buildings having fire separation of 9 m or more, tempered glass in a non-combustible assembly, with ability to hold the glass in place, shall be provided. It shall be ensured that sprinklers are located within 600 mm of the glass facade providing full coverage to the glass.

NOTE — In case of all other buildings, fire resistance rating of glass facade shall be in accordance with Table 1.

- b) All gaps between floor-slabs and facade assembly shall be sealed at all levels by approved fire resistant sealant material of equal fire rating as that of floor slab to prevent fire and smoke propagation from one floor to another.
- c) Openable panels shall be provided on each floor and shall be spaced not more than 10 m apart measured along the external wall from centre-to-centre of the access openings. Such openings shall be operable at a height between 1.2 m and 1.5 m from the floor, and shall be in

the form of openable panels (fire access panels) of size not less than 1 000 mm × 1 000 mm opening outwards. The wordings, 'FIRE OPENABLE PANEL — OPEN IN CASE OF FIRE, DO NOT OBSTRUCT' of at least 25 mm letter height shall be marked on the internal side. Such panels shall be suitably distributed on each floor based on occupant concentration. These shall not be limited to cubicle areas and shall be also located in common areas/corridors to facilitate access by the building occupants and fire personnel for smoke exhaust in times of distress.

**3.4.11 Surface Interior Finishes**

**3.4.11.1** The use of combustible surface finishes on walls (including facade of the building) and ceilings affects the safety of the occupants of a building. Such finishes tend to spread the fire and even though the structural elements may be adequately fire resistant, serious danger to life may result. It is, therefore, essential to have adequate precautions to minimise spread of flame on wall, facade of building and ceiling surfaces. The finishing materials used for various surfaces and decor shall be such that it shall not generate toxic smoke/fumes.

**3.4.11.2** The susceptibility of various types of wall surfaces to fire is determined in terms of the rate of spread of flame. Based on the rate of spread of flame, surfacing material shall be considered as divided into four classes as follows {see also good practice [4(11)]}:

- a) Class 1 Surfaces of very low flame spread.
- b) Class 2 Surfaces of low flame spread.
- c) Class 3 Surfaces of medium flame spread.
- d) Class 4 Surfaces of rapid flame spread.

**3.4.11.3** The uses for which surface materials falling into various classes shall be adopted in building construction are given below:

Class 1 (1)	Class 2 (2)	Class 3 (3)
May be used in any situation	May be used in any situation, except on walls, facade of the building, staircase and corridors	May be used only in living rooms and bed rooms (but not in rooms on the roof) and only as a lining to solid walls and partitions; not on staircases or corridors or facade of the building.

NOTE — Panelling (lining) shall be permitted in a limited area. It shall not be permitted in a vestibule.

**3.4.11.4** Materials of Class 4 which include untreated wood fiberboards may be used with due fire retardant treatment as ceiling lining, provided the ceiling is at least, 2.4 m from the top surface of the floor below, and the wall surfaces conform to requirements of class [see Note under 3.4.11.3]. Class 4 materials shall not be used in kitchens, corridors and staircases. Some materials contain bitumen and, in addition to risk from spread of fire, emit dense smoke on burning; such materials shall be excluded from use under these conditions and shall also not be used for construction of ceiling where the plenum is used for return air in air conditioned buildings.

**3.4.11.5** When frames, walls, partitions or floors are lined with combustible materials, the surfaces on both sides of the materials shall conform to the appropriate class, because there is considerable danger from fire starting and rapidly spreading within the concealed cavity unknown to the occupants whose escape may be hampered thereby. For detailed information on materials and details of construction with their fire resistance rating, reference may be made to good practice [4(12)].

**3.4.12 Fire Command Centre (FCC)**

- a) Fire command centre shall be on the entrance floor of the building having direct access. The control room shall have the main fire alarm panel with communication system (suitable public address system) to aid floors and facilities for receiving the message from different floors.
- b) Fire command centre shall be constructed with 120 min rating walls with a fire door and shall be provided with emergency lighting. Interior finishes shall not use any flammable materials. All controls and monitoring of fire alarm systems, pressurization systems, smoke management systems shall happen from this room. Monitoring of integrated building management systems, CCTVs or any other critical parameters in building may also be from the same room.
- c) Details of all floor plans along with the details of firefighting equipment and installations (2 sets laminated and bound) shall be maintained in fire command centre.
- d) The fire staff in charge of the fire command centre shall be responsible for the maintenance of the various services and firefighting equipment and installations in coordination with security, electrical and civil staff of the building.



## 4 LIFE SAFETY

### 4.1 General

Every building shall be so designed, constructed, equipped, maintained and operated as to provide adequate means of egress to avoid undue danger to the life and safety of the occupants from fire, smoke, fumes or panic during the time period necessary for escape.

For high occupancy areas, it may be required to have announcement, announcements and voice guided/aided system to direct the occupants towards safe egress routes, areas of comparative safety or exits, and to avoid situation of panic during distress.

Every main occupancy may have certain occupancies which may be incidental to the main occupancy. The exit requirements pertaining to such incidental occupancies from the floor of the occupancy to the level of exit discharge shall be calculated to meet the requirement of the actual occupancy of such type, to ensure adequate means of egress of the occupants.

*See also* 13 of Part 3 'Development Control Rules and General Building Requirements' of the Code for accessibility for elderly and persons with disabilities, for various requirements for enabling a smooth and safe egress.

### 4.2 General Exit Requirements

**4.2.1** An exit may be a fire exit doorway; an internal staircase, exit passageway, external doorway, external staircase and these having access to the street or to a *Veranda* or to a refuge area or to the terrace or roof of a building. An exit may also include a horizontal exit leading to an adjoining building/fire compartment having its further access to unlocked/public exit at the same level.

**4.2.2** Unless otherwise specified, lifts, escalators, moving walks and revolving doors shall not be considered as exits and shall not constitute any part of the required exit.

**4.2.3** Every exit, exit passageway and exit discharge shall be continuously maintained free of all obstructions or impediments to full use in the case of fire or other emergency.

**4.2.4** Every building having human occupancy shall be provided with exits sufficient to permit safe egress of occupants, in case of fire or other emergency.

**4.2.5** In every building or structure, exits shall comply with the minimum requirements of this Part, except those not accessible for general public use.

**4.2.6** No building shall be so altered as to reduce the number, width or protection of exits to less than that required.

**4.2.7** For non-naturally ventilated areas, fire doors with 120 min fire resistance rating shall be provided and particularly at the entrance to lift lobby and stair well where a 'funnel or flue effect' may be created, inducing an upward spread of fire, to prevent spread of fire and smoke.

**4.2.8** Exits shall be so arranged that they may be reached without passing through another occupied unit/passageway in others control, if they pose challenge or restriction in means of egress.

**4.2.9** Doors in exits shall open in the direction of exit. In case of assembly buildings (Group D) and institutional buildings (Group C-1), exit door shall not open immediately upon a flight of stair and all such entries to the stair shall be through a landing, so that such doors do not impede movement of people descending from a higher floor when fully opened (*see* Fig. 4A). While for other occupancies, such doors shall not reduce the pathway in the landing by more than half the width of such staircase (*see* Fig. 4B). Over-head or sliding doors shall not be installed.

**4.2.10** At least half of the required exit stairs from upper floors (rounded to the next higher number) shall discharge directly to the exterior or through exit passageways.

**4.2.11** Unless otherwise specified, all the exits and exit passageways to exit discharge shall have a clear ceiling height of at least 2.4 m. However, the height of exit door shall be at least 2.0 m (*see* Fig. 5).

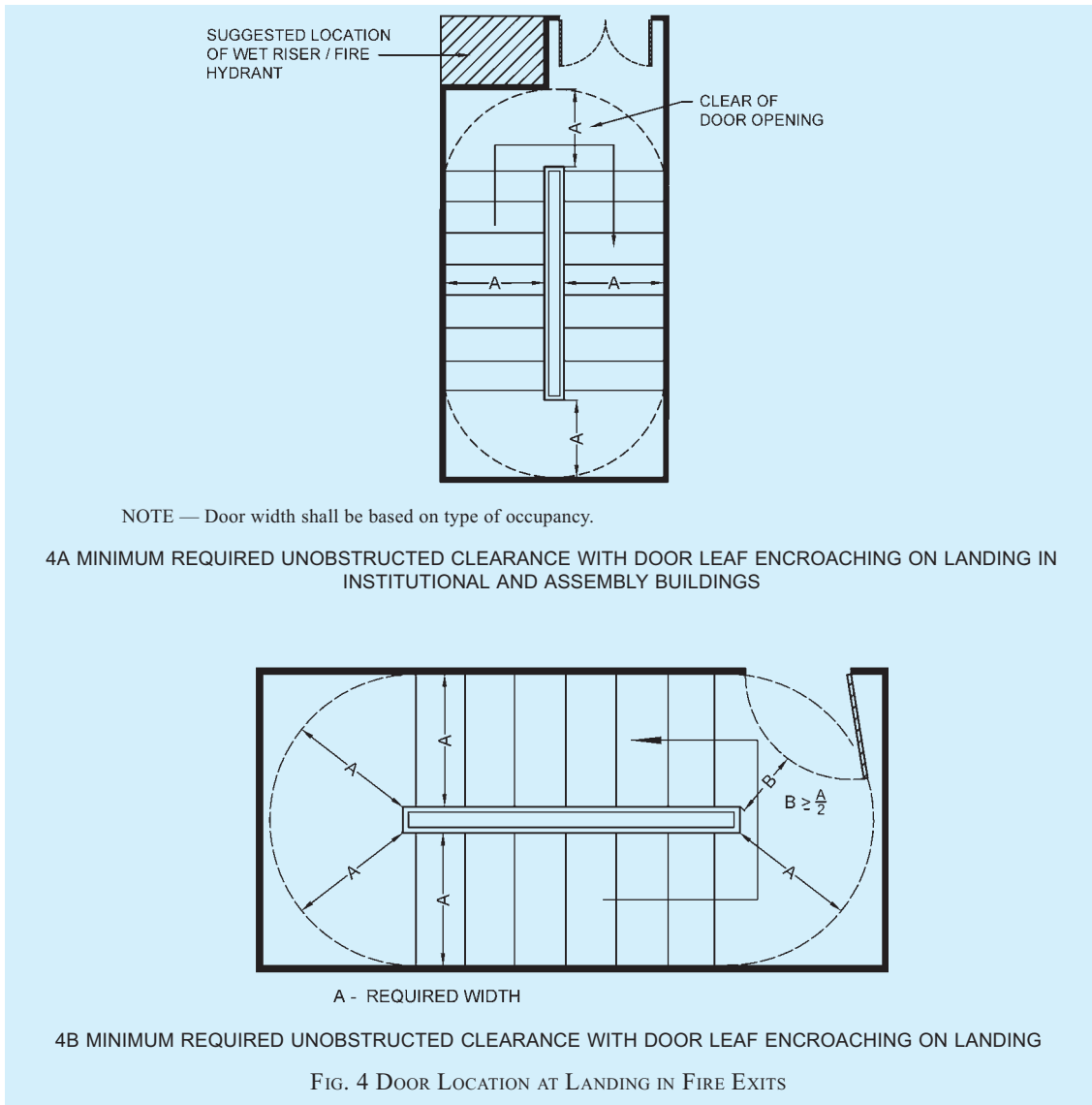
**4.2.12** Where changes in elevation of more than 300 mm are encountered in the exits, ramps or sloped surfaces shall be used with handrails and floor finish materials that contrast with the adjacent finish materials.

**4.2.13** The capacity of the means of egress required from any storey of the building shall not be reduced along the path of egress travel until arrival to the exit discharge.

**4.2.14** The lifts, escalators, moving walks, turnstiles and revolving doors shall not be considered in determining the required capacity of means of egress for the individual floor(s) or the building.

**4.2.15** Turnstiles or similar devices that restrict travel to one direction or that are used to restrict unauthorized entry shall not be so placed as to obstruct any required means of egress. Alternative door openings of required exit width shall be available within 3 m of such devices, if installed.

**4.2.16** Suitable means shall be provided so that all access controlled exit doors, turnstiles, boom barriers and other such exits shall automatically operate to open mode during emergencies like fire, smoke, acts of



terrorism, etc, so that people can safely and quickly egress into safe areas outside. If required, a master controlling device may be installed at a strategic location to achieve this.

**4.2.17** Penetrations into and openings through an exit are prohibited except those necessary like for the fire protection piping, ducts for pressurization and similar life safety services. Such openings as well as vertical passage of shaft through floors shall be protected by passive systems.

**4.2.18** Walking surfaces in exit access shall comply with the following requirements for smooth exit:

- Walking surfaces shall be nominally level.
- The slope of walking surface in the direction of travel shall not exceed 1 in 20 unless the ramp requirements are met (see 4.4.2.4.3.5).

- Slope perpendicular to the direction of travel shall not exceed 1 in 48.
- Walking surfaces shall be slip-resistant along the entire path of travel.

**4.2.19** *Basement*

- Basement exits shall be sufficient to provide for the capacity of the basement as determined in accordance with 4.4.2.1. In no case shall there be less than two independent basement exits.
- Basements having incidental occupancies to main occupancy shall be planned with exit requirements of the basements for the actual occupancy within the basement.
- Where basement is used for car parking and also there is direct approach from any

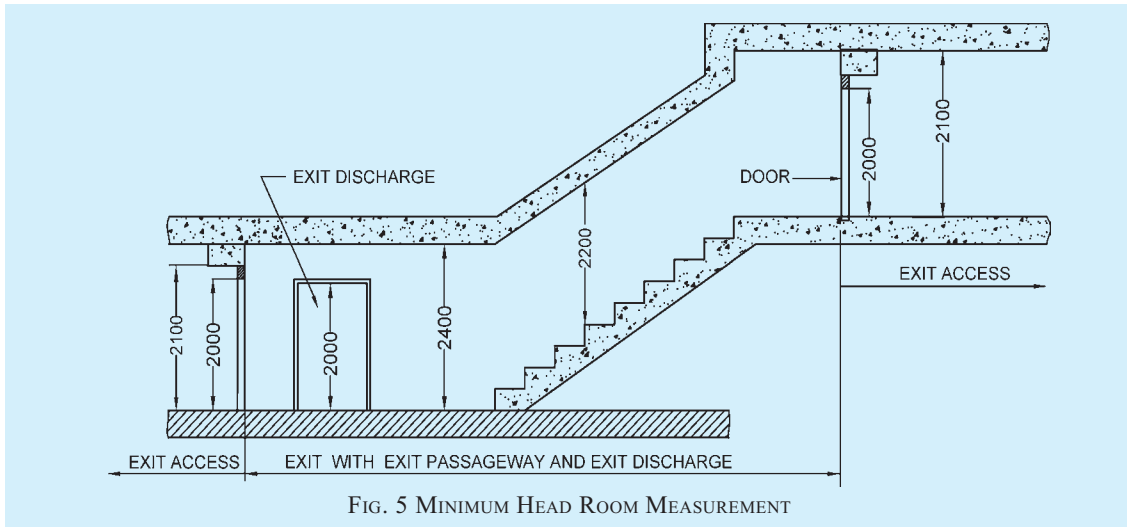


FIG. 5 MINIMUM HEAD ROOM MEASUREMENT

occupancy above to the basement, door openings leading to the basement shall need to be protected with fire doors with 120 min fire rating, except for exit discharge doors from the basements.

persons within any floor area or the occupant load shall be based on the actual number of occupants declared, but in no case less than that specified in Table 3. The occupant load of a mezzanine floor discharging to a floor below shall be added to that floor occupancy and the capacity of the exits shall be designed for the total occupancy load thus established.

### 4.3 Occupant Load

For determining the exits required, the number of

The occupant load of each story considered individually

**Table 3 Occupant Load**  
(Clauses 4.3 and 4.4.2.1)

Sl No.	Group of Occupancy	Occupant Load Factor (m <sup>2</sup> /person) (see Note 1)
(1)	(2)	(3)
i)	Group A: Residential	12.50
ii)	Group B: Educational	4.00
iii)	Group C: Institutional (see Note 2):	
	a) Indoor patients area	15.00
	b) Outdoor patients area	10.0
iv)	Group D: Assembly:	
	a) Concentrated use without fixed seating	0.65
	b) Less concentrated use without fixed seating (see Note 3)	1.40
	c) Fixed seating	see Note 4
	d) Dining areas and restaurants with seating and table	1.80
v)	Group F: Mercantile:	
	a) Street floor and sales basement	3.00
	b) Upper sales floor	6.00
	c) Storage/warehouse, receiving and the like	20.00
vi)	Group E: Business	10.00
vii)	Group G: Industrial	10.00
viii)	Group H: Storage (see Note 5)	30.00
ix)	Group J: Hazardous	10.00

**NOTES**

- 1 Gross area shall be the floor area as defined in 2.35. All factors expressed are in gross area unless marked net.
- 2 Occupant load in dormitory portions of homes for the aged, orphanages, insane asylums, etc, where sleeping accommodation is provided, shall be calculated at not less than 7.5 m<sup>2</sup> gross floor area/person.
- 3 These shall include gymnasium, table tennis room, billiard room and other gaming rooms, library, swimming pool and like.
- 4 In case of assembly occupancy having fixed seats, the occupant load shall be determined by multiplying the number of seats by 1.2.
- 5 Car parking areas under occupancy other than storage shall also be 30 m<sup>2</sup> per person.



shall be required to be used in computing the number of means of egress at each story, provided that the required number of means of egress is not decreased in the direction of egress travel.

The assembly occupancies and call centres shall be required to display, limiting occupant load details positioned in a conspicuous place near the entrance of each of such respective occupancy to avoid possible overcrowding and overloading. The display shall preferably be engraved on a metal plate of not less than 300 mm × 200 mm, with letters of height and width not less than 50 mm, with detail of occupancy, area and occupancy load (*see* figure below).

The capacity of any open mezzanine/balcony shall be added to the capacity of the floor below for the purpose of determining exit capacity.

**MAXIMUM OCCUPANCY**

**\_\_\_\_\_ PERSONS PERMITTED**  
**WITHIN THIS SPACE/ROOM**

IT IS CONFIRMED THAT THE FIRE EXITS ARE PLANNED FOR EGRESS OF THE OCCUPANCY AS MENTIONED ABOVE AND OCCUPANCY MORE THAN THE ABOVE IS NOT PERMITTED IN THE SPACE/ROOM AS FOLLOWS:

SPACE/ROOM DETAIL: \_\_\_\_\_

FLOOR NO. \_\_\_\_\_

SIGN: \_\_\_\_\_ DATE: \_\_\_\_\_

(MANAGER/AUTHORIZED SIGNATORY)

#### 4.4 Egress Components

Egress components to be considered are the number of exits to which access is provided, capacity of exit access, travel distance to an exit, the obviousness of the direction to an exit, and any hindrance including due to security issues involved.

##### 4.4.1 Exit Access

- a) A common path of travel is desirable in exit access which leads to two independent directions to separate exits.
- b) *Capacity of exit access* — The width of corridors, aisles or ramps required for exit access shall be sufficient to ensure a smooth flow of occupants to the exit. Where a corridor is the only way of access to an exit, the corridor

width shall not be less than the calculated exit width.

- c) Objects like tables, chairs or any other temporary/permanent structures in exit access corridors shall be avoided as this may result in congestion and also impeding smooth flow of personnel during emergencies.
- d) In order to ensure that each element of the means of egress can be effectively utilized, they shall all be properly lit and marked. Lighting shall be provided with emergency power back-up in case of power failures. Also, exit signs of adequate size, marking, location, and lighting shall be provided so that all those unfamiliar with the location of the exits may safely find their way.
- e) Exit access to fireman's lift and refuge area on the floor shall be step free and clearly signposted with the international symbol of accessibility.
- f) Exit access shall not pass through storage rooms, closets or spaces used for similar purpose.
- g) The calculation of capacity of exit access shall be in accordance with 4.4.2.4.

#### 4.4.2 Exits

##### 4.4.2.1 Number of exits

The minimum required number of exits in a building shall be determined based on occupant load (*see* Table 3) and width required per person (*see* Table 4) as appropriate to the type of exit for respective occupancies, subject to complying with maximum travel distance requirement (*see* Table 5).

##### 4.4.2.2 Arrangement of exits

- a) Exits shall be so located that the travel distance on the floor shall not exceed the distance given in Table 5.
- b) Travel distance shall be measured from the most remote point within a storey or a mezzanine floor along the natural and unobstructed path of horizontal or vertical egress travel to the door to an exit.
- c) The dead end corridor length in exit access shall not exceed 6 m for educational, institutional and assembly occupancies. For other occupancies, the same shall be 15 m (*see* Fig. 6)
- d) Exits shall be placed as remote from each other as possible and shall be arranged to provide direct access in separate directions from any point in the area served.

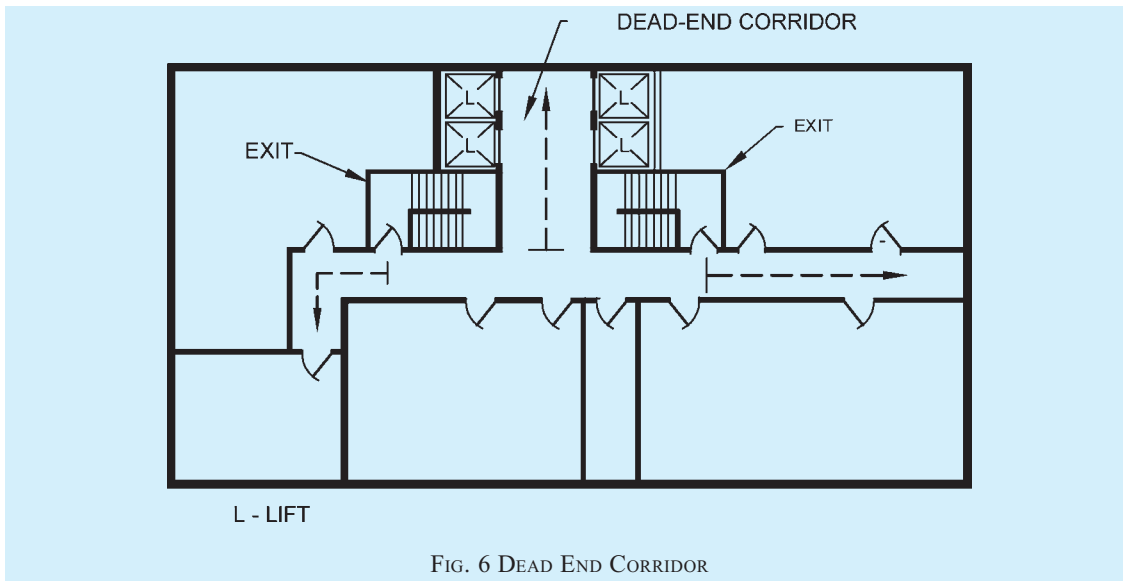


FIG. 6 DEAD END CORRIDOR

**4.4.2.3 Capacities of means of egress**

- a) Exit capacity is the number of people that can pass through a stairway, and level components (door and corridor) and ramps. The total capacity of all the respective means of egress serving a floor shall be sufficient to allow egress of the entire population of the floor.
- b) The unit of exit width, used to measure the capacity of any exit, shall be 500 mm. A clear width of 250 mm shall be counted as an additional half unit. Clear widths less than 250 mm shall not be counted for exit width.
- c) Width per person for stairways, and level components and ramps shall be determined using the capacity factors in accordance with Table 4.

**Table 4 Capacity Factors**  
[Clauses 4.4.2.1, 4.4.2.3(c) and 4.4.2.4.2(a)]

Sl No.	Occupancy Group	Width per Person mm	
		Stairways	Level Components and Ramps
(1)	(2)	(3)	(4)
i)	Residential (Group A)	10	6.5
ii)	Educational (Group B)		
iii)	Institutional (Group C)	15	13
iv)	Assembly (Group D)	10	6.5
v)	Business (Group E)		
vi)	Mercantile (Group F)		
vii)	Industrial (Group G)		
viii)	Storage (Group H)		
ix)	Hazardous (Group J)	18	10

For example, if an exit doorway measures 1 000 mm in clear width, it would be defined as providing exit capacity for  $1\ 000/6.5$  occupants, that is, 153 persons (say 150 persons) and number of such exit doorways can then be calculated depending on the occupant load.

- d) When calculating stairways, level components and ramps and other exit means, the capacity of the entire system shall have to be based upon the minimum capacity available from any part of the system. The corridor, if so provided shall also to be planned with consideration of exit access adequacy for the number of occupants. Further, consider the situation of doors opening to an exit stairway. If the stairway provides an exit capacity of 150 persons, and the doors leading into the stairway provide an exit capacity of 153 persons, the overall exit system would be considered to provide the minimum exit capacity of only 150 persons afforded by the stairway. The exit planning will be limited by the most restrictive exit calculation under the means of egress.
- e) In the procedures for determining required egress capacity, the number of required means of egress is based on a floor-by-floor consideration, rather than the accumulation of the occupant loads of all the floors. However, the number of means of egress cannot decrease as an occupant proceeds along the egress path.

**4.4.2.4 Types of exit access and exits**

Various types of exit access and exits are doorways, corridors and passageways, horizontal exits, internal

**Table 5 Travel Distance (Based on Occupancy and Construction Type)**  
(Clauses 4.4.2.1 and 4.4.2.2)

Sl No.	Occupancy Group	Maximum Travel Distance m	
		Types 1 and 2	Types 3 and 4
(1)	(2)	(3)	(4)
i)	Residential (Group A)	30.00	22.50
ii)	Educational (Group B)	30.00	22.50
iii)	Institutional (Group C)	30.00	22.50
iv)	Assembly (Group D)	30.00	30.00
v)	Business (Group E)	30.00	30.00
vi)	Mercantile (Group F)	30.00	30.00
vii)	Industrial (Group G) G-1, G-2 G-3	45.00	See Note 3
		22.50	
		30.00	
viii)	Storage (Group H)	30.00	
ix)	Hazardous (Group J)	22.50	

NOTES  
 1 For fully sprinklered building, the travel distance may be increased by 50 percent of the values specified.  
 2 Ramp shall not be counted as an exit in case of basements below the first basement in car parking.  
 3 Construction of Type 3 or Type 4 is not permitted.

staircases, exit passageways, external staircases and ramps.

Requirements for each are as detailed below.

**4.4.2.4.1 Doorways**

- a) Every exit doorway shall open into an enclosed stairway or a horizontal exit of a corridor or passageway providing continuous and protected means of egress (see Fig. 7 on unaccepted arrangement of doors in a stair).
- b) No exit doorway shall be less than 1 000 mm in width except assembly buildings, where door width shall be not less than 2 000 mm (see Fig. 8). Doorways shall be not less than 2 000 mm in height.
- c) Exit doorways shall be operable from the side which they serve, without the use of a key.
- d) Mirrors shall not be placed on exit doors and in exits to avoid confusion regarding the direction of exit.
- e) Revolving doors can be accepted as a component in a means of egress where the following requirements are fully complied with:
  - 1) Doors shall be capable of collapsing to a book fold position with parallel egress paths, of width not less than 1 000 mm.
  - 2) Doors shall not be located within 3 m of the foot or top of stairs or escalators. A dispersal area shall be provided between the stairs or escalators and the doors.

- 3) Each revolving door shall be provided with a hinged door in the same wall within 3 m thereof, with same exiting capacity.
- 4) Each revolving door shall be considered as capable of exiting only 50 persons.
- f) All fire rated doors and assembly shall be provided with certificate and labels prominently indicating the manufacturer’s identification, door details covering door type, serial/batch number, month and year of manufacture, fire resistance rating, etc. The doors and assembly shall be certified with all prescribed hardware such as hinges, locks, panic bars, door closer, and door viewers.
- g) *Access controlled doors* — Access controlled doors and electromagnetic doors shall fall under this category. These shall meet the following requirements:
  - 1) Doors shall have fire rating as per the requirements at the location of installation.
  - 2) Activation of the building automatic sprinkler or fire detection system, if provided, shall automatically unlock the doors in the direction of egress, and the doors shall remain unlocked until the automatic sprinkler system or fire-alarm system has been manually reset.
  - 3) Loss of power to the part of the access control system that locks the doors shall automatically unlock the doors in the direction of egress.
  - 4) A manual release device shall be provided in the readily accessible vicinity of the egress door with a signage ‘PUSH TO EXIT’ and when the same is operated, it shall result in direct interruption of power to the lock, independent of the access control system electronics.
- h) *Turnstiles* — Turnstiles or similar devices that restrict travel to one direction or are used to collect fares or admission charges shall not be placed so as to obstruct any required means of egress unless door openings of required width are available within 3 m thereof. Turnstiles or such similar devices shall also be disengaged through automatic or manual intervention to allow egress in the direction of exit.
- j) Doors in folding partition shall not be treated as approved means of egress.

**4.4.2.4.2 Corridors and passageways of means of egress**

- a) Corridors and passageways shall be of width not less than the calculated aggregate width

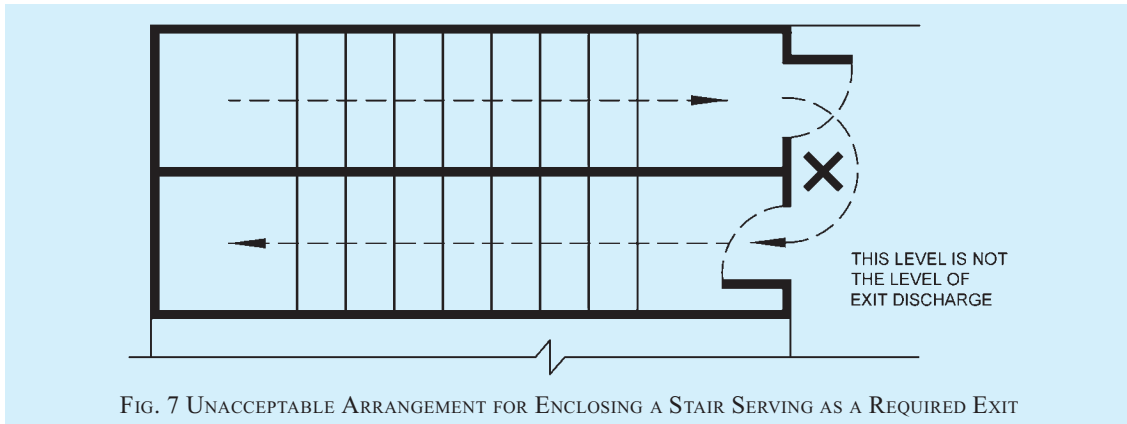


FIG. 7 UNACCEPTABLE ARRANGEMENT FOR ENCLAVING A STAIR SERVING AS A REQUIRED EXIT

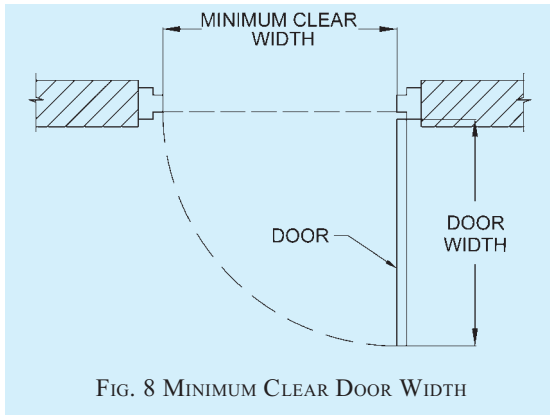


FIG. 8 MINIMUM CLEAR DOOR WIDTH

of exit doorways leading from them in the direction of travel to the exit (see Table 4 and Table 5).

- b) In the case of buildings where there is a central corridor, which is part of exit access, the doors of rooms (except for rooms having assembly occupancy) shall open inwards to permit smooth flow of traffic in the corridor.

#### 4.4.2.4.3 Staircases

##### 4.4.2.4.3.1 General

The requirements of number of staircases shall supplement the requirement of different occupancies in 6.1 to 6.9.

All buildings, as mentioned in 1.2, shall have a minimum of two staircases. The actual number of staircases shall comply with the requirement of 4.4.2.1.

All exit staircases shall discharge, at the level of exit discharge, to the exit discharge, either,

- a) directly, or
- b) through an exit passageway, or
- c) through a large lobby.

At least 50 percent of the staircases shall discharge as per (a) and/or (b) above.

The minimum width of tread without nosing shall be 250 mm for staircase of residential buildings. This shall be minimum 300 mm for assembly, hotels, educational, institutional, business and other buildings. The treads shall be constructed and maintained in a manner to prevent slipping. The maximum height of riser shall be 190 mm for staircase of residential buildings (A-2) and 150 mm for other buildings. The number of risers shall be limited to 12 per flight.

The staircases may be internal staircases or external staircases.

##### 4.4.2.4.3.2 Internal staircases

The internal staircases may be constructed with an external wall, or otherwise, and shall comply with the following:

- a) Internal stairs shall be constructed of non-combustible materials throughout, and shall have fire resistant rating of minimum 120 min.
- b) A staircase shall not be arranged round a lift shaft.
- c) Exits shall not be used as a portion of a supply, return or exhaust air system serving adjoining areas. Any opening(s) shall not be permitted in walls or in doors, separating exits from adjoining areas.
- d) No flue chimney, electromechanical equipment, air conditioning units, gas piping or electrical panels shall be allowed in the stairway.
- e) Notwithstanding the detailed provision for exits in accordance with 4.2 and 4.3, the following minimum width shall be provided for staircases for respective occupancies:

- 1) Residential (A-2) : 1.00 m

NOTE — For row housing with 2 storeys, the minimum width shall be 0.75 m.

- 2) Residential (A-1, A-3 and A-4) : 1.25 m

- 3) Residential hotel (A-5 and A-6) : 1.50 m
- 4) Assembly : 2.00 m  
NOTE — The width of stairs may be accepted to be 1.50 m in case of assembly occupancy having less than 150 persons.
- 5) Educational : 1.50 m
- 6) Institutional : 2.00 m
- 7) All other occupancies : 1.50 m
- f) A handrail shall be provided on one side of the staircase of width less than 1 500 mm, and on both sides of the staircase of width 1 500 mm and more. The projection of handrail(s) in the staircase width shall not be more than 115 mm. All other requirements of handrail shall be in accordance with Part 3 ‘Development Control Rules and General Building Requirements’ of the Code.
- g) Handrails may project inside the measured width by not more than 90 mm.
- h) The design of staircase shall also take into account the following:
  - 1) The minimum headroom in a passage under the landing of a staircase and under the staircase shall be 2.2 m
  - 2) Access to exit staircase shall be through a fire door of a minimum 120 min fire resistance rating.
  - 3) No living space, store or other fire risk shall open directly into staircases.
  - 4) The exit (including staircases) shall be continuous from refuge floors or terrace level, as applicable, to the level of exit discharge.
  - 5) No electrical shafts/air conditioning ducts or gas pipes, etc, shall pass through or open in the staircases.
  - 6) Lifts shall not open in staircase.
  - 7) No combustible material shall be used for decoration/wall panelling in the staircase.
  - 8) Beams/columns and other building features shall not reduce the head room/width of the staircase.
  - 9) The floor indication board, indicating the location/designated number of staircase, respective floor number and direction to exit discharge shall be placed inside the staircase, on the wall nearest to the fire door. It shall be of size not less than 300 mm × 200 mm (see Fig. 9).
  - 10) Individual floors shall be prominently indicated on the wall outside the staircase and facing it.

- 11) All staircase shall terminate at the level of exit discharge. The access to the basement shall be by a separate staircase.
- 12) Scissors type staircases shall not be treated as part of exit.

#### 4.4.2.4.3.3 Curved stairs

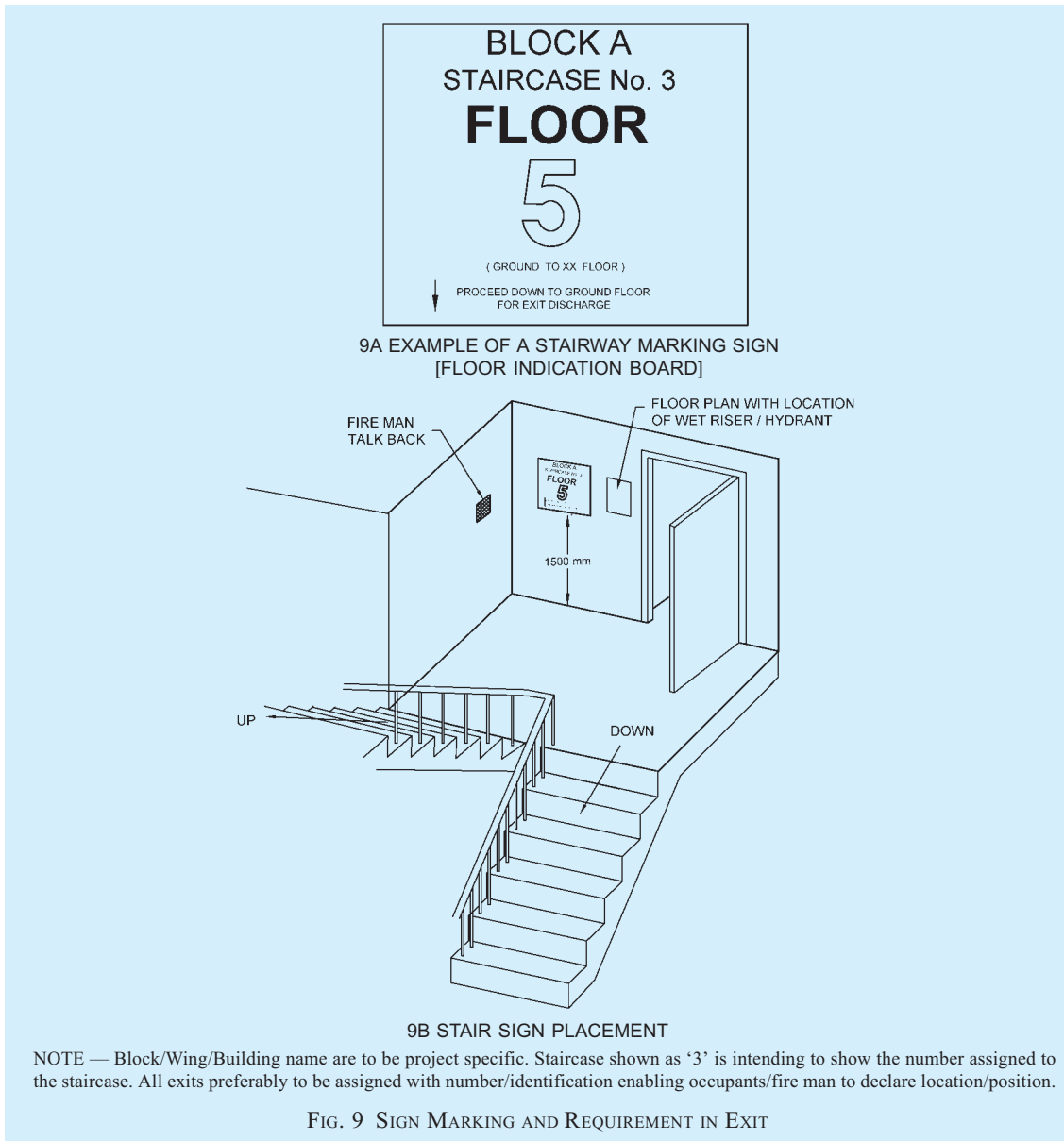
Curved stairs shall not be treated as part means of egress. However, these may be used as part of exit access provided the depth of tread is not less than 280 mm at a point 350 mm from the narrower end of the tread and the smallest radius is not less than twice the stair width.

#### 4.4.2.4.3.4 External staircases

The external staircases are the staircases provided on the external wall/facade, and shall comply with the following:

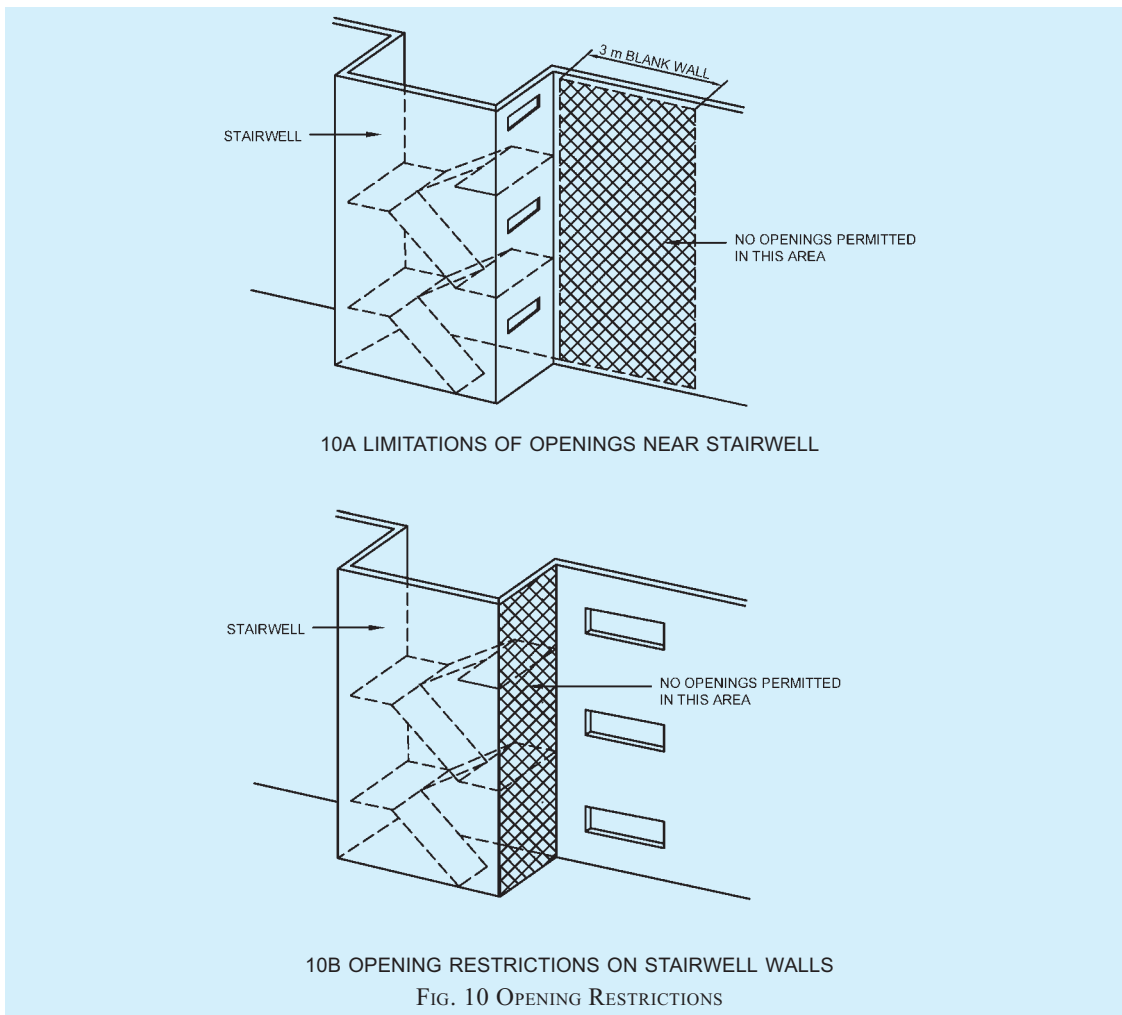
- a) External stairs shall always be kept in sound and usable condition.
- b) All external stairs shall be directly connected to the ground.
- c) Entrance to the external stairs shall be separate and remote from the internal staircase.
- d) Where an external staircase is provided, it shall be ensured that the use of it at the time of fire is not prejudiced by smoke and flame from openings (for example, windows, doors) in the external face of the building. Care shall be taken to ensure that no external wall or window opening opens on to or close to an external stair. If such openings exists within 3 m from an external staircase, they shall be protected with fire rated doors/window assemblies with rating of at least 60 min (see Fig. 10).
- e) The external stairs shall be constructed of non-combustible materials, and any doorway leading to it shall have minimum 120 min fire resistance.
- f) No external staircase, shall be inclined at an angle greater than 45° from the horizontal.
- g) External stairs shall have straight flight not less than 1 500 mm wide.
- h) Handrails, to be provided on both sides, shall be of a height not less than 1 000 mm and not exceeding 1 200 mm. There shall be provisions of balusters with maximum gap of 150 mm.
- j) The use of spiral staircase shall be limited to low occupant load and to a building not exceeding 9 m in height. A spiral staircase shall be not less than 1 500 mm in diameter and shall be designed to give adequate headroom.





#### 4.4.2.4.3.5 Ramps

- a) Ramps shall comply with all the applicable requirements for staircases regarding enclosure, capacity (*see also* Table 4) and limiting dimensions, except where specified in 6.1 to 6.9 for special uses and occupancies.
- b) The slope of a ramp shall not exceed 1 in 12 (8 percent).
- c) Ramp(s) shall be surfaced with approved slip resistant materials that are securely attached. No perforations are permissible on ramp floors.
- d) Any changes in travel direction in ramp shall be preceded by landings of 1.5 m × 1.5 m size.
- e) Ramps and intermediate landings shall continue with no decrease in width along the direction of egress travel.
- f) Outside ramps and landings shall be designed to minimise water accumulation on their surfaces.
- g) Ramps shall have landings located at the top, at the bottom, and at doors opening onto the ramp.
- h) Every landing shall be not less than 1 500 mm long in the direction of travel.
- j) Where the ramp is not part of an accessible route, the ramp landings shall not be required to exceed 1 250 mm in the direction of travel, provided that the ramp has a straight run.



- k) Handrails shall be provided on all ramps on both sides (*see 4.4.2.4.3.4*).

NOTE — Above requirements are not applicable to basement car parking ramps

The ramps shall, in addition, comply with the requirements given in **13** of Part 3 ‘Development Control Rules and General Building Requirements’ of the Code.

#### 4.4.2.5 Smoke control of exits

- a) In building design, compartmentation plays a vital part in limiting the spread of fire and smoke. The design should ensure avoidance of spread of smoke to adjacent spaces through the various leakage openings in the compartment enclosure, such as cracks, openings around pipes ducts, airflow grills and doors. In the absence of proper sealing of all these openings, smoke and toxic gases will obstruct the free movement of occupants of the building through the exits. Pressurization of staircases is of great importance for the

exclusion of smoke and toxic gases from the protected exit.

- b) Pressurization is a method adopted for protecting the exits from ingress of smoke, especially in high-rise buildings. In pressurization, air is injected into the staircases, lobbies, etc, as applicable, to raise their pressure slightly above the pressure in adjacent parts of the building. As a result, ingress of smoke or toxic gases into the exits will be prevented. The pressurization of staircases and lift lobbies shall be adopted as given in Table 6.

The pressure difference for staircases shall be 50 Pa.

Pressure differences for lobbies (or corridors) shall be between 25 Pa and 30 Pa. Further, the pressure differential for enclosed staircase adjacent to such lobby (or corridors) shall be 50 Pa. For enclosed staircases adjacent to non-pressurized lobby (or corridors), the pressure differential shall be 50 Pa.



**Table 6 Pressurization of Staircases and Lift Lobbies**

[Clauses 4.4.2.5 (b) and E-2]

Sl No.	Component	Height of Building		
		Less than 15 m	15 m to 30 m	More than 30 m
(1)	(2)	(3)	(4)	(5)
i)	Internal staircase not with external wall	Pressurized except for residential buildings (A-2 and A-4)	Pressurized	Pressurized
ii)	Internal staircase with external wall	Pressurized except for residential buildings (A-2 and A-4) or Naturally ventilated	Naturally ventilated or Pressurized	Cross-ventilated or Pressurized
iii)	Lift lobby	Not required at ground and above. However lift lobby segregation and pressurization is required for lift commuting from ground to basement	Naturally ventilated or Pressurized <sup>1)</sup>	Cross-ventilated or Pressurized <sup>1)</sup>

**NOTES**

**1** The natural ventilation requirement of the staircase shall be, achieved through opening at each landing, of an area 0.5 m<sup>2</sup> in the external wall. A cross ventilated staircase shall have 2 such openings in opposite/adjacent walls or the same shall be cross-ventilated through the corridor.

**2** Enclosed staircase leading to more than one basement shall be pressurized.

<sup>1)</sup> Lift lobby with fire doors (120 min) at all levels with pressurization of 25-30 Pa is required. However, if lift lobby cannot be provided at any of the levels in air conditioned buildings or in internal spaces where funnel/flue effect may be created, lift hoistway shall be pressurized at 50 Pa. For building greater than 30 m, multiple point injection air inlets to maintain desired pressurization level shall be provided. If the lift lobby, lift and staircase are part of firefighting shaft, lift lobby necessarily has to be pressurized in such case, unless naturally ventilated.

- c) Equipment and ductwork for staircase pressurization shall be in accordance with one of the following:
  - 1) Directly connected to the stairway by ductwork enclosed in non-combustible construction.
  - 2) If ducts used to pressurize the system are passed through shafts and grills are provided at each level, it shall be ensured that hot gases and smoke from the building cannot ingress into the staircases under any circumstances.
- d) The normal air conditioning system and the pressurization system shall be designed and interfaced to meet the requirements of emergency services. When the emergency pressurization is brought into action, the following changes in the normal air conditioning system shall be effected:
  - 1) Any re-circulation of air shall be stopped and all exhaust air vented to atmosphere.
  - 2) Any air supply to the spaces/areas other than exits shall be stopped.
  - 3) The exhaust system may be continued provided,
- e) the positions of the extraction grills permit a general air flow away from the means of egress;
- ii) the construction of the ductwork and fans is such that, it will not be rendered inoperable by hot gases and smoke; and
- iii) there is no danger of spread of smoke to other floors by the path of the extraction system which can be ensured by keeping the extraction fans running.
- e) For pressurized stair enclosure systems, the activation of the systems shall be initiated by signalling from fire alarm panel.
- f) Pressurization system shall be integrated and supervised with the automatic/manual fire alarm system for actuation.
- g) Wherever pressurized staircase is to be connected to unpressurized area, the two areas shall be segregated by 120 min fire resistant wall.
- h) Fresh air intake for pressurization shall be away (at least 4 m) from any of the exhaust outlets/grille.

## 4.5 Compartmentation

### 4.5.1 General

- a) It is important to limit the spread of a fire in any building. The usual method is to use fire barriers. In some instances these barriers need to be penetrated for ductwork, plumbing and electrical systems, and in such cases, use of passive fire protection measures shall be done so that the integrity of these barriers is not compromised.
- b) Floor(s) shall be compartmented with area as given below.

**4.5.2** All floors shall be compartmented/zoned with area of each compartment being not more than 750 m<sup>2</sup>. The maximum size of the compartment shall be as follows, in case of sprinklered basement/building:

Sl No.	Use	Compartmentation Area m <sup>2</sup>
(1)	(2)	(3)
i)	Basement car parking	3 000
ii)	Basements (other than car parking)	2 000
iii)	Institutional buildings: Subdivision C-1	1 800
iv)	Institutional buildings: Subdivision C-2 and C-3	1 125
v)	Mercantile and assembly buildings	2 000
vi)	Business buildings	3 000
vii)	All other buildings (Excluding low hazard and moderate hazard industrial buildings and storage buildings) <sup>1)</sup>	750

<sup>1)</sup> Compartmentation for low hazard and moderate hazard industrial buildings and storage buildings shall be done in consultation with local fire department.

In addition, there shall be requirement of a minimum of two compartments if the floor plate size is equal or less than the areas mentioned above. However, such requirement of minimum two compartments shall not be required, if the floor plate is less than 750 m<sup>2</sup>.

Compartmentation shall be achieved by means of fire barrier having fire resistance rating of 120 min.

## 4.6 Smoke Control

### 4.6.1 Smoke Exhaust and Pressurization of Areas Above Ground

Corridors in exit access (exit access corridor) are created for meeting the requirement of use, privacy and

layout in various occupancies. These are most often noted in hospitality, health care occupancies and sleeping accommodations.

Exit access corridors of guest rooms and indoor patient department/areas having patients lacking self preservation and for sleeping accommodations such as apartments, custodial, penal and mental institutions, etc, shall be provided with 60 min fire resistant wall and 20 min self-closing fire doors along with all fire stop sealing of penetrations.

Smoke exhaust system having make-up air and exhaust air system or alternatively pressurization system with supply air system for these exit access corridors shall be required.

Smoke exhaust system having make-up air and exhaust air system shall also be required for theatres/auditoria.

Such smoke exhaust system shall also be required for large lobbies and which have exit through staircase leading to exit discharge. This would enable eased exit of people through smoke controlled area to exit discharge.

All exit passageway (from exit to exit discharge) shall be pressurized or naturally ventilated. The mechanical pressurization system shall be automatic in action with manual controls in addition. All such exit passageway shall be maintained with integrity for safe means of egress and evacuation. Doors provided in such exit passageway shall be fire rated doors of 120 min rating.

Smoke exhaust system where provided, for above areas and occupancies shall have a minimum of 12 air changes per hour smoke exhaust mechanism. Pressurization system where provided shall have a minimum pressure differential of 25-30 Pa in relationship to other areas.

The smoke exhaust fans in the mechanical ventilation system shall be fire rated, that is, 250°C for 120 min.

For naturally cross-ventilated corridors or corridors with operable windows, such smoke exhaust system or pressurization system will not be required.

### 4.6.2 Smoke Exhaust and Pressurization of Areas Below Ground

Each basement shall be separately ventilated. Vents with cross-sectional area (aggregate) not less than 2.5 percent of the floor area spread evenly round the perimeter of the basement shall be provided in the form of grills, or breakable stall board lights or pavement lights or by way of shafts.

Alternatively, a system of mechanical ventilation system may be provided with following requirements:

- a) Mechanical ventilation system shall be designed to permit 12 air changes per hour in case of fire or distress call. However, for

normal operation, air changes schedule shall be as given in Part 8 'Building Services, Section 3 Air conditioning, Heating and Mechanical Ventilation' of the Code.

- b) In multi-level basements, independent air intake and smoke exhaust shafts (masonry or reinforced concrete) for respective basement levels and compartments therein shall be planned with its make-up air and exhaust air fans located on the respective level and in the respective compartment. Alternatively, in multi-level basements, common intake masonry (or reinforced cement concrete) shaft may serve respective compartments aligned at all basement levels. Similarly, common smoke exhaust/outlet masonry (or reinforced cement concrete) shafts may also be planned to serve such compartments at all basement levels. All supply air and exhaust air fans on respective levels shall be installed in fire resisting room of 120 min. Exhaust fans at the respective levels shall be provided with back draft damper connection to the common smoke exhaust shaft ensuring complete isolation and compartmentation of floor isolation to eliminate spread of fire and smoke to the other compartments/floors.
- c) Due consideration shall be taken for ensuring proper drainage of such shafts to avoid insanitation condition. Inlets and extracts may be terminated at ground level with stall board or pavement lights as before. Stall board and pavement lights should be in positions easily accessible to the fire brigade and clearly marked 'AIR INLET' or 'SMOKE OUTLET' with an indication of area served at or near the opening.
- d) Smoke from any fire in the basement shall not obstruct any exit serving the ground and upper floors of the building.
- e) The smoke exhaust fans in the mechanical ventilation system shall be fire rated, that is, 250°C for 120 min.
- f) The smoke ventilation of the basement car parking areas shall be through provision of supply and exhaust air ducts duly installed with its supports and connected to supply air and exhaust fans. Alternatively, a system of impulse fans (jet fans) may be used for meeting the requirement of smoke ventilation complying with the following:
  - 1) Structural aspects of beams and other down stands/services shall be taken care of in the planning and provision of the jet fans.

- 2) Fans shall be fire rated, that is, 250°C for 120 min.
- 3) Fans shall be adequately supported to enable operations for the duration as above.
- 4) Power supply panels for the fans shall be located in fire safe zone to ensure continuity of power supply.
- 5) Power supply cabling shall meet circuit integrity requirement in accordance with accepted standard [4(13)].

The smoke extraction system shall operate on actuation of flow switch actuation of sprinkler system. In addition, a local and/or remote 'manual start-stop control/switch' shall be provided for operations by the fire fighters.

Visual indication of the operation status of the fans shall also be provided with the remote control.

No system relating to smoke ventilation shall be allowed to interface or cross the transformer area, electrical switchboard, electrical rooms or exits.

Smoke exhaust system having make-up air and exhaust air system for areas other than car parking shall be required for common areas and exit access corridor in basements/underground structures and shall be completely separate and independent of car parking areas and other mechanical areas.

Supply air shall not be less than 5 m from any exhaust discharge openings.

#### 4.7 Gas Supply

##### 4.7.1 Town Gas/LPG Supply Pipes

Where gas pipes are run in buildings, the same shall be run in separate shafts exclusively for this purpose and these shall be on external walls, away from the staircases. Gas distribution pipes shall always be below the false ceiling. The length of these pipes shall be as short as possible. In the case of kitchen cooking range area, hood should have grease filters using metallic grill to trap oil vapours escaping into the fume hood

NOTE — For detailed information on gas pipe installations, reference may be made to Part 9 'Plumbing Services, Section 4 Gas Supply' of the Code.

##### 4.7.2 Thermal detectors

These shall be installed into fume hoods of large kitchens for hotels, hospitals, and similar areas located in high rise buildings. Arrangements shall be made for automatic tripping of the exhaust fan in case of fire. If gas is used, the same shall be shut off. The voltage shall be 24 V or 100 V d.c. operated with external rectifier. The valve shall be of the hand re-set type and shall be located in an area segregated from cooking ranges. Valves shall be easily accessible. The hood shall have manual facility for steam or suitable hood extinguishing gas released depending on duty condition.

**4.7.3** Gas cylinders and manifold shall need to be housed in a detached location with no other occupancy within distances prescribed in good practice [4(14)] thereof. There shall be an enclosure suitably ventilated. It is desirable to provide medium velocity spray nozzles which can be operated by quick opening valve situated away from the enclosure.

**4.7.4** In the case of gas cylinders, if manifold has to be installed on podium/close to podium, the same shall be away from any air intakes/smoke exhaust openings/any windows.

**4.7.5** Pressure regulating stations shall be designed and installed at critical locations for excess flow shut off valves. Seismic shut off valve at the main distribution point shall be installed for buildings in D-6 occupancy and institutional occupancy above 15 m.

**4.7.6** Gas meters shall be housed in a suitably constructed metal cupboard located in a well-ventilated space, keeping in view the fact that LPG is heavier than air and town gas is lighter than air.

**4.7.7** Wherever LPG reticulation/cylinders are used in buildings above 100 m, gas leak detectors shall be provided at the usage points and monitored from fire command centre. The cables used for signaling shall be circuit integrity cables.

**4.7.8** The gas lines shall not be installed through any electrical shafts, escape routes, refuge areas/refuge floors.

**4.7.9** Kitchens working on LPG fuel shall not be permitted in basements.

#### **4.8 Hazardous Areas, Gaseous, Oil Storage Yard, etc**

Rooms containing high pressure boilers, refrigerating machinery, transformers or other service equipment subject to possible explosion shall not be located directly under or adjacent to exits. All such rooms shall be effectively cut-off from other parts of the building and shall be provided with adequate vents to the outside air.

All rooms or areas of high hazard in additions to those hereinbefore mentioned, shall be segregated or shall be protected with fire resistant walls having fire rating of 120 min as fire, explosion or smoke therefrom is likely to interfere with safe egress from the building. Further,

- a) each building shall be provided with an approved outside gas shut-off valve conspicuously marked. The detailed requirements regarding safe use of gas shall be as specified in Part 9 'Plumbing Services, Section 4 Gas Supply' of the Code; and
- b) all exterior openings in a boiler room or rooms contain central heating equipment, if located below opening in another storey or if less than 3 m from other doors or windows of the same

building shall be protected by a fire assembly as in 3.4.5. Such assemblies shall be fixed, automatic or self-closing.

#### **4.9 Fire Detection and Alarm**

- a) The requirements of fire detection and alarm systems are covered for each occupancy in Table 7 and under 6.1 to 6.9 for annunciation to occupants in view of the ensuing vulnerability and to warn occupants early of the existence of fire, so as to facilitate orderly and safe egress.
- b) Fire detection and alarm systems in buildings shall be so planned and programmed so as to enable operations of various systems and equipment to facilitate requirements leading to life safety, compartmentation and fire protection. These systems and equipment may include electromechanical systems such as air handling units; pressurization systems; smoke management systems; creation of compartmentation through the release of fire barrier, hold-up fire doors, etc; and monitoring of fire water storage tanks and pumps, pressures in hydrant and sprinkler system, etc. These planning and requirements shall be based on building occupancy and other requirements on case to case basis.
- c) Voice evacuation systems shall employ Hindi, English and vernacular language using pre-recorded messages and integrate with fire alarm panels for alerting the zone of fire and surrounding zones/floors as required for annunciation (*see also* Table 7 and its Note 1).
- d) Appropriate visual warning arrangement through visual strobes/beacons may be considered in appropriate situations particularly in public buildings, at required locations to ensure visual as well as alarm for persons with hearing impairment.
- e) For assembly buildings, institutional buildings and all buildings above 30 m in height where fire alarm system is provided in accordance to Table 7, detectors shall also be provided inside the electrical shafts, and lift machine rooms, etc, besides occupancy areas.
- f) Fire alarm panels shall be connected in peer to peer network or with redundant cables, run in different shafts. Each panel shall be able to work in standalone mode and master slave architecture may be used where required.
- g) The fire detection system shall be in accordance with accepted standards [4(15)].



**Table 7 Minimum Requirements for Fire Fighting Installations**  
 [Clauses 4.9(a), 4.9(c), 4.9(e), 5.1.1(a), 5.1.1(d), 5.1.2.1, 5.1.3(a), E-7, H-2(f) and Table 2]

Sl No.	Type of Building Occupancy	Type of Installation								Water Supply (litre)		Pump Capacity (litre/min)	
		Fire Extinguisher	First Aid Hose Reel	Wet Riser	Down Comer	Yard Hydrant	Automatic Sprinkler System	Manually Operated Electronic Fire Alarm Systems (see Note 1)	Automatic Detection and Alarm System (see Note 2)	Under-ground Static Water Storage Tank Combined Capacity for Wet Riser, Yard Hydrant and Sprinklers per Set of Pumps	Terrace Tank over Respective Tower Terrace	Pump Near Underground Static Water Storage Tank (Fire Pump) with Minimum Pressure of 3.5 kg/cm <sup>2</sup> at Remotest Location	At the Terrace Tank Level with Minimum Pressure of 3.5 kg/cm <sup>2</sup>
(1)	(2)	(3)	(4)	(5)	(6)	(7)	(8)	(9)	(10)	(11)	(12)	(13)	(14)
<b>RESIDENTIAL BUILDINGS (A)</b>													
a)	<b>Lodging and Rooming Houses (A-1) (see Note 3)</b>												
1)	Less than 15 m in height												
	i) Up to 15 rooms	R	NR	NR	NR	NR	R (see Note 4)	NR	NR	NR	5 000 (see Note 5)	NR	NR
	ii) More than 15 and up to 30 rooms	R	R	NR	NR	NR	R (see Note 4)	NR	NR	NR	5 000 (5 000) (see Note 6)	NR	450 (450) (see Note 6)
	iii) More than 30 rooms	R	R	NR	NR	NR	R (see Note 4)	R (see Note 7)	NR	NR	10 000 (5 000) (see Note 6)	NR	450 (450) (see Note 6)
b)	<b>One or two Family Private Dwellings (A-2) (see Note 3)</b>	NR	NR	NR	NR	NR	NR	NR	NR	NR	NR	NR	NR
c)	<b>Dormitories (A-3) and Apartment Houses (A-4)</b>												
1)	Less than 15 m in height	R	R	NR	NR	NR	R (see Note 4)	NR	NR	NR	5 000 (5 000) (see Note 6)	NR	450 (450) (see Note 6)



**Table 7 — (Continued)**

Sl No.	Type of Building Occupancy	Type of Installation								Water Supply (litre)		Pump Capacity (litre/min)	
		Fire Exting-uisher	First Aid Hose Reel	Wet Riser	Down Comer	Yard Hydrant	Automatic Sprinkler System	Manually Operated Electronic Fire Alarm Systems (see Note 1)	Automatic Detection and Alarm System (see Note 2)	Under-ground Static Water Storage Tank Combined Capacity for Wet Riser, Yard Hydrant and Sprinklers per Set of Pumps	Terrace Tank over Respective Tower Terrace	Pump Near Underground Static Water Storage Tank (Fire Pump) with Minimum Pressure of 3.5 kg/cm <sup>2</sup> at Remotest Location	At the Terrace Tank Level with Minimum Pressure of 3.5 kg/cm <sup>2</sup>
(1)	(2)	(3)	(4)	(5)	(6)	(7)	(8)	(9)	(10)	(11)	(12)	(13)	(14)
2)	15 m and above but not exceeding 35 m in height	R	R	NR	R	NR	R (see Note 4)	R (see Note 8)	NR	NR	25 000	NR	900
3)	Above 35 m but not exceeding 45 m in height	R	R	R	NR	NR	R (see Note 4 and Note 9)	R	NR	75 000	5 000	(see Note 10)	NR
4)	Above 45 m in height but not exceeding 60 m in height	R	R	R	NR	R	R	R	NR	150 000	10 000	(see Note 11)	NR
5)	Above 60 m in height	R	R	R	NR	R	R	R	R	200 000	10 000	(see Note 12 & Note 13)	NR
<b>d)</b>	<b>Hotels (A-5)</b>												
1)	Less than 15 m in height												
	i) Floor area not exceeding 300 m <sup>2</sup> on any of the floor	R	R	NR	NR	NR	R (see Note 4)	R	NR	NR	5 000 (5000) (see Note 6)	NR	450 (450) (see Note 6)
	ii) Floor area exceeding 300 m <sup>2</sup> but not more 1 000 m <sup>2</sup> on any of the floor	R	R	R (see Note 7)	NR	NR	R (see Note 4)	R	R	10 000 for every 500 m <sup>2</sup> floor area subject to minimum of 50 000 (see Note 7)	10 000 (5000) (see Note 6)	(see Note 14 in case of provision of wet riser)	450 (450) (see Note 6)
	iii) Floor area exceeding 1 000 m <sup>2</sup> on any of the floor	R	R	R (see Note 15)	NR	R	R	R (see Note 1)	R	100 000 (see Note 15)	10 000 (see Note 4)	(see Note 15 and Note 14)	NR

Table 7 — (Continued)

Sl No.	Type of Building Occupancy	Type of Installation								Water Supply (litre)		Pump Capacity (litre/min)	
		Fire Extinguisher	First Aid Hose Reel	Wet Riser	Down Comer	Yard Hydrant	Automatic Sprinkler System	Manually Operated Electronic Fire Alarm Systems (see Note 1)	Automatic Detection and Alarm System (see Note 2)	Under-ground Static Water Storage Tank Combined Capacity for Wet Riser, Yard Hydrant and Sprinklers per Set of Pumps	Terrace Tank over Respective Tower Terrace	Pump Near Underground Static Water Storage Tank (Fire Pump) with Minimum Pressure of 3.5 kg/cm <sup>2</sup> at Remotest Location	At the Terrace Tank Level with Minimum Pressure of 3.5 kg/cm <sup>2</sup>
(1)	(2)	(3)	(4)	(5)	(6)	(7)	(8)	(9)	(10)	(11)	(12)	(13)	(14)
2)	15 m and above but not exceeding 30 m	R	R	R	NR	R	R	R	R	150 000	20 000	(see Note 11)	NR
3)	Above 30 m in height	R	R	R	NR	R	R	R	R	200 000	20 000	(see Note 11)	NR
e)	Hotels (A-6)	R	R	R	NR	R	R	R	R	250 000	20 000	(see Note 12)	NR
<b>EDUCATIONAL BUILDINGS (B) (see Note 16)</b>													
1)	Less than 15 m in height												
	i) Ground plus one or more storeys	R	R	NR	NR	NR	R (see Note 4)	NR	NR	NR	10 000 (5 000) (see Note 6)	NR	450 (450) (see Note 6)
2)	15 m and above but not exceeding 24 m in height	R	R	NR	R	NR	R (see Note 4)	R	NR	NR	25 000	NR	900
3)	Above 24 m but not exceeding 30 m in height	R	R	R	NR	R	R (see Note 4)	R	NR	50 000	(5 000) (see Note 6)	(see Note 14)	NR
<b>INSTITUTIONAL BUILDINGS (C) (see Note 16)</b>													
a)	Hospitals, Sanatoria and Nursing Homes (C-1)												
1)	Less than 15 m in height with plot area up to 1 000 m <sup>2</sup>												
	i) Up to ground plus one storey, with no beds	R	NR	NR	NR	NR	R (see Note 4)	R	NR	NR	(5 000) (see Note 6)	NR	(450) (see Note 6)

**Table 7 — (Continued)**

Sl No.	Type of Building Occupancy	Type of Installation								Water Supply (litre)		Pump Capacity (litre/min)	
		Fire Exting-uisher	First Aid Hose Reel	Wet Riser	Down Comer	Yard Hydrant	Automatic Sprinkler System	Manually Operated Electronic Fire Alarm Systems (see Note 1)	Automatic Detection and Alarm System (see Note 2)	Under-ground Static Water Storage Tank Combined Capacity for Wet Riser, Yard Hydrant and Sprinklers per Set of Pumps	Terrace Tank over Respective Tower Terrace	Pump Near Underground Static Water Storage Tank (Fire Pump) with Minimum Pressure of 3.5 kg/cm <sup>2</sup> at Remotest Location	At the Terrace Tank Level with Minimum Pressure of 3.5 kg/cm <sup>2</sup>
(1)	(2)	(3)	(4)	(5)	(6)	(7)	(8)	(9)	(10)	(11)	(12)	(13)	(14)
	ii) Up to ground plus one storey with beds	R	R	NR	NR	NR	R (see Note 4)	R	NR	NR	5 000 (5 000) (see Note 6)	NR	450 (450) (see Note 6)
	iii) Ground plus two or more storeys, with no beds	R	R	NR	R	NR	R (see Note 4)	R	R	NR	10 000 (5 000) (see Note 6)	NR	900 (450) (see Note 6)
	iv) Ground plus two or more storeys, with beds	R	R	R	NR	NR	R (see Note 1)	R	R	75 000	10 000	(see Note 14)	NR
2)	Less than 15 m in height with plot area more than 1 000 m <sup>2</sup>	R	R	R	NR	R	R	R (see Note 1)	R	1 00 000	10 000	(see Note 14)	NR
3)	15 m and above but not exceeding 24 m in height	R	R	R	NR	R	R	R	R	150 000	20 000	(see Note 10)	NR
4)	Above 24 m and not exceeding 45 m in height	R	R	R	NR	R	R	R	R	200 000	20 000	(see Note 11)	NR
b)	<b>Custodial (C-2), and Penal and Mental (C-3)</b>												
1)	Less than 10 m in height												
	i) Up to 300 persons	R	R	NR	NR	NR	R (see Note 4)	R	NR	NR	10 000 (5 000) (see Note 6)	NR	450 (450) (see Note 6)
	ii) More than 300 persons	R	R	NR	R	NR	R (see Note 4)	R	NR	NR	15 000 (5 000) (see Note 6)	NR	900 (450) (see Note 6)

Table 7 — (Continued)

Sl No.	Type of Building Occupancy	Type of Installation								Water Supply (litre)		Pump Capacity (litre/min)	
		Fire Extinguisher	First Aid Hose Reel	Wet Riser	Down Comer	Yard Hydrant	Automatic Sprinkler System	Manually Operated Electronic Fire Alarm Systems (see Note 1)	Automatic Detection and Alarm System (see Note 2)	Under-ground Static Water Storage Tank Combined Capacity for Wet Riser, Yard Hydrant and Sprinklers per Set of Pumps	Terrace Tank over Respective Tower Terrace	Pump Near Underground Static Water Storage Tank (Fire Pump) with Minimum Pressure of 3.5 kg/cm <sup>2</sup> at Remotest Location	At the Terrace Tank Level with Minimum Pressure of 3.5 kg/cm <sup>2</sup>
(1)	(2)	(3)	(4)	(5)	(6)	(7)	(8)	(9)	(10)	(11)	(12)	(13)	(14)
2)	10 m and above but not exceeding 15 m in height	R	R	R	NR	R	R (see Note 4)	R	R	100 000	5 000 (5 000) (see Note 6)	(see Note 10)	NR
3)	15 m and above but not exceeding 24 m in height	R	R	R	NR	R	R	R	R	150 000	10 000	(see Note 11)	NR
4)	24 m and above but not exceeding 30 m in height	R	R	R	NR	R	R	R	R	200 000	20 000	(see Note 11)	NR
<b>ASSEMBLY BUILDINGS (D)</b> (see Note 16)													
<b>a)</b>	<b>Buildings (D-1 to D-5)</b>												
1)	Less than 10 m in height												
	i) Up to 300 persons	R	R	NR	R	NR	R (see Note 4)	R	NR	NR	20 000 (5 000) (see Note 6)	NR	450 (450) (see Note 6)
	ii) More than 300 persons	R	R	NR	R	NR	R (see Note 4)	R	NR	NR	25 000 (5 000) (see Note 6)	NR	900 (450) (see Note 6)
2)	Above 10 m but not exceeding 15 m in height	R	R	R	NR	NR	R (see Note 4)	R (see Note 1)	R	100 000	5 000 (5 000) (see Note 6)	(see Note 10)	450 (450) (see Note 6)
3)	Above 15 m but not exceeding 24 m in height	R	R	R	NR	R	R	R	R	150 000	10 000	(see Note 10)	NR
4)	Above 24 m but not exceeding 30 m in height	R	R	R	NR	R	R	R	R	200 000	20 000	(see Note 11)	NR
<b>b)</b>	<b>D-6</b>	R	R	R	NR	R	R	R	R	200 000	20 000	(see Note 12)	NR
<b>c)</b>	<b>D-7</b>	For details see 6.4.4											



**Table 7 — (Continued)**

Sl No.	Type of Building Occupancy	Type of Installation								Water Supply (litre)		Pump Capacity (litre/min)	
		Fire Extinguisher	First Aid Hose Reel	Wet Riser	Down Comer	Yard Hydrant	Automatic Sprinkler System	Manually Operated Electronic Fire Alarm Systems (see Note 1)	Automatic Detection and Alarm System (see Note 2)	Under-ground Static Water Storage Tank Combined Capacity for Wet Riser, Yard Hydrant and Sprinklers per Set of Pumps	Terrace Tank over Respective Tower Terrace	Pump Near Underground Static Water Storage Tank (Fire Pump) with Minimum Pressure of 3.5 kg/cm <sup>2</sup> at Remotest Location	At the Terrace Tank Level with Minimum Pressure of 3.5 kg/cm <sup>2</sup>
(1)	(2)	(3)	(4)	(5)	(6)	(7)	(8)	(9)	(10)	(11)	(12)	(13)	(14)
<b>BUSINESS BUILDINGS (E)</b>													
1)	Less than 10 m in height	R	R	NR	R	NR	R (see Note 4)	R	NR	NR	10 000 (5 000) (see Note 6)	NR	450 (450) (see Note 6)
2)	Above 10 m but not exceeding 15 m in height	R	R	R	NR	NR	R (see Note 4)	R	R	50 000	5 000 (5 000) (see Note 6)	(see Note 14)	450 (450) (see Note 6)
3)	Above 15 m and up to 24 m in height	R	R	R	NR	R	R	R	R	100 000	10 000	(see Note 10)	NR
4)	Above 24 m and up to 30 m in height	R	R	R	NR	R	R	R	R	150 000	20 000	(see Note 11)	NR
5)	Above 30 m in height	R	R	R	NR	R	R	R	R	200 000	20 000	(see Note 12)	NR
<b>MERCANTILE BUILDINGS (F)</b>													
a)	<b>F-1 and F-2</b> (see Note 16)												
1)	Less than 15 m in height												
	i) Ground plus one storey, with total of all floor area not exceeding 500 m <sup>2</sup>	R	R	NR	NR	NR	R (see Note 4)	NR	NR	NR	5 000 (5 000) (see Note 6)	NR	450 (450) (see Note 6)



Table 7 — (Continued)

Sl No.	Type of Building Occupancy	Type of Installation								Water Supply (litre)		Pump Capacity (litre/min)	
		Fire Extinguisher	First Aid Hose Reel	Wet Riser	Down Comer	Yard Hydrant	Automatic Sprinkler System	Manually Operated Electronic Fire Alarm Systems (see Note 1)	Automatic Detection and Alarm System (see Note 2)	Under-ground Static Water Storage Tank Combined Capacity for Wet Riser, Yard Hydrant and Sprinklers per Set of Pumps	Terrace Tank over Respective Tower Terrace	Pump Near Underground Static Water Storage Tank (Fire Pump) with Minimum Pressure of 3.5 kg/cm <sup>2</sup> at Remotest Location	At the Terrace Tank Level with Minimum Pressure of 3.5 kg/cm <sup>2</sup>
(1)	(2)	(3)	(4)	(5)	(6)	(7)	(8)	(9)	(10)	(11)	(12)	(13)	(14)
	ii) Ground plus one storey and total of all floor area exceeding 500 m <sup>2</sup>	R	R	NR	R	NR	R (see Note 4)	R	NR	NR	20 000 (5 000) (see Note 6)	NR	900 (450) (see Note 6)
	iii) More than ground plus one storey	R	R	NR	R	NR	R (see Note 4)	R	NR	NR	25 000 (5 000) (see Note 6)	NR	900 (450) (see Note 6)
2)	Above 15 m but not exceeding 24 m in height	R	R	R	NR	R	R	R	R	100 000	10 000	(see Note 10)	NR
3)	Above 24 m but not exceeding 30 m in height	R	R	R	NR	R	R	R	R	200 000	20 000	(see Note 11)	NR
b)	Underground shopping complex (F-3)	R	R	R	NR	R	R	R	R	150 000	10 000	(see Note 11)	NR
<b>INDUSTRIAL BUILDINGS (G) (see Note 17)</b>													
a)	<b>Low Hazard (G-1) (see Note 18)</b>												
	i) Covered area up to 100 m <sup>2</sup>	R	NR	NR	NR	NR	R (see Note 4)	NR	NR	NR	5 000 (see Note 5)	NR	450 (see Note 5)
	ii) Covered area more than 100 m <sup>2</sup> and up to 500 m <sup>2</sup>	R	R	NR	R (see Note 8)	NR	R (see Note 4)	NR	NR	NR	20 000 (5 000) (see Note 6)	NR	450 (450) (see Note 6)

**Table 7 — (Continued)**

Sl No.	Type of Building Occupancy	Type of Installation								Water Supply (litre)		Pump Capacity (litre/min)	
		Fire Extinguisher	First Aid Hose Reel	Wet Riser	Down Comer	Yard Hydrant	Automatic Sprinkler System	Manually Operated Electronic Fire Alarm Systems (see Note 1)	Automatic Detection and Alarm System (see Note 2)	Under-ground Static Water Storage Tank Combined Capacity for Wet Riser, Yard Hydrant and Sprinklers per Set of Pumps	Terrace Tank over Respective Tower Terrace	Pump Near Underground Static Water Storage Tank (Fire Pump) with Minimum Pressure of 3.5 kg/cm <sup>2</sup> at Remotest Location	At the Terrace Tank Level with Minimum Pressure of 3.5 kg/cm <sup>2</sup>
(1)	(2)	(3)	(4)	(5)	(6)	(7)	(8)	(9)	(10)	(11)	(12)	(13)	(14)
	iii) Covered area more than 500 m <sup>2</sup> (for building height up to 15 m)	R	R	NR	R	NR	R (see Note 4)	R	NR	NR	20 000 (5000) (see Note 6)	NR	450 (450) (see Note 6)
	iv) Covered area more than 500 m <sup>2</sup> (for building height above 15 m)	R	R	R	NR	R	R (see Note 4)	R	R	75 000	5 000 (see Note 6)	(see Note 14)	NR
b)	<b>Moderate Hazard (G-2)</b> (see Note 18)												
	i) Covered area up to 100 m <sup>2</sup>	R	R	NR	NR	NR	R	NR	NR	NR	10 000	NR	450
	ii) Covered area more than 100 m <sup>2</sup> and up to 500 m <sup>2</sup>	R	R	NR	NR	NR	R	NR	NR	NR	20 000	NR	900
	iii) Covered area more than 500 m <sup>2</sup> and up to 1000 m <sup>2</sup> (for height up to 15 m)	R	R	NR	R	NR	R	R	R	NR	50 000	NR	900
	iv) Covered area more than 500 m <sup>2</sup> and up to 1000 m <sup>2</sup> (for height above 15 m)	R	R	R	NR	R	R	R	R	100 000	10 000	(see Note 14)	NR
	v) Covered area more than 1000 m <sup>2</sup>	R	R	R	NR	R	R	R	R	150 000	20 000	(see Note 11)	NR

Table 7 — (Continued)

Sl No.	Type of Building Occupancy	Type of Installation								Water Supply (litre)		Pump Capacity (litre/min)	
		Fire Extinguisher	First Aid Hose Reel	Wet Riser	Down Comer	Yard Hydrant	Automatic Sprinkler System	Manually Operated Electronic Fire Alarm Systems (see Note 1)	Automatic Detection and Alarm System (see Note 2)	Under-ground Static Water Storage Tank Combined Capacity for Wet Riser, Yard Hydrant and Sprinklers per Set of Pumps	Terrace Tank over Respective Tower Terrace	Pump Near Underground Static Water Storage Tank (Fire Pump) with Minimum Pressure of 3.5 kg/cm <sup>2</sup> at Remotest Location	At the Terrace Tank Level with Minimum Pressure of 3.5 kg/cm <sup>2</sup>
(1)	(2)	(3)	(4)	(5)	(6)	(7)	(8)	(9)	(10)	(11)	(12)	(13)	(14)
c)	<b>High Hazard (G-3)</b> (see Note 19)												
	i) Covered area up to 50 m <sup>2</sup>	R	R	NR	NR	NR	R	NR	NR	NR	10 000	NR	900
	ii) Covered area more than 50 m <sup>2</sup> and up to 150 m <sup>2</sup>	R	R	NR	NR	NR	R	R	R	NR	25 000	NR	900
	iii) Covered area more than 150 m <sup>2</sup> and up to 300 m <sup>2</sup>	R	R	R	NR	NR	R	R	R	50 000	10 000	(see Note 14)	NR
	iv) Covered area more than 300 m <sup>2</sup> and up to 500 m <sup>2</sup>	R	R	R	NR	R	R	R	R	100 000	20 000	(see Note 10)	NR
	v) Covered area more than 500 m <sup>2</sup>	R	R	R	NR	R	R	R	R	150 000	20 000	(see Note 11)	NR
<b>STORAGE BUILDINGS (H)</b> (see Note 20)													
1)	Below 15 m in height and covered area less than 250 m <sup>2</sup>	R	R	NR	NR	NR	R	NR	NR	NR	25 000	NR	900
2)	Below 15 m in height and covered area more than 250 m <sup>2</sup>												
	i) Ground floor only	R	R	R	NR	R	R	R	R	50 000	10 000	(see Note 14)	450
	ii) Ground plus one floor	R	R	R	NR	R	R	R	R	75 000	10 000	(see Note 10)	450

**Table 7 — (Continued)**

Sl No.	Type of Building Occupancy	Type of Installation								Water Supply (litre)		Pump Capacity (litre/min)	
		Fire Extinguisher	First Aid Hose Reel	Wet Riser	Down Comer	Yard Hydrant	Automatic Sprinkler System	Manually Operated Electronic Fire Alarm Systems (see Note 1)	Automatic Detection and Alarm System (see Note 2)	Under-ground Static Water Storage Tank Combined Capacity for Wet Riser, Yard Hydrant and Sprinklers per Set of Pumps	Terrace Tank over Respective Tower Terrace	Pump Near Underground Static Water Storage Tank (Fire Pump) with Minimum Pressure of 3.5 kg/cm <sup>2</sup> at Remotest Location	At the Terrace Tank Level with Minimum Pressure of 3.5 kg/cm <sup>2</sup>
(1)	(2)	(3)	(4)	(5)	(6)	(7)	(8)	(9)	(10)	(11)	(12)	(13)	(14)
	iii) More than ground plus one floor	R	R	R	NR	R	R	R	R	100 000	10 000	(see Note 10)	450
3)	Multi-Level Car Parking (MLCP)	R	R	R	NR	R	R	R	NR	150 000	10 000	(see Note 11)	900
<b>HAZARDOUS BUILDINGS (J) (see Note 20)</b>													
1)	Up to 15 m in height												
	i) Single Storey Building	R	R	R	NR	R	R	R	R	Minimum 240 min firefighting requirements	NR	(see Note 21)	NR
	ii) More than one floor building but not exceeding 15 m	R	R	R	R	R	R	R	R	Minimum 240 min firefighting requirements	50 000	(see Note 21)	900
<p>R – Required NR – Not Required</p> <p><b>NOTES</b></p> <p>1 MOEFA System shall also include talk-back system and public address system for the occupancies given in the table for (d) (1) (iii) under A-5, (a) (1) (iv) and (a) (2) under C-1, and (a) (2) under D-1 to D-5, in all buildings 15 m and above in height, except for A-3 and A-4 occupancies where these shall be provided for buildings of height 24 m and above. These shall also be provided in car parking areas more than 300 m<sup>2</sup> and in multi-level car parking irrespective of their areas.</p> <p>2 Automatic detection and alarm system is not required to be provided in car parking area. Such detection system shall however be required in other areas of car parking such as electrical rooms, cabins and other areas.</p> <p>3 Buildings above 15 m in height are not to be permitted for occupancies A-1 and A-2.</p> <p>4 Required to be installed in basement, if area of basement exceeds 200 m<sup>2</sup>.</p> <p>5 Required to be provided if basement area exceeds 200 m<sup>2</sup>.</p>													



**Table 7 — (Concluded)**

- 6 Additional value given in parenthesis shall be added if basement area exceeds 200 m<sup>2</sup>.
- 7 Required to be provided for buildings with more than two storeys (Ground + One).
- 8 Required to be provided for buildings with height above 15 m and above.
- 9 Sprinklers shall be fed water from both underground static water storage tank and terrace tank.
- 10 Provide required number of sets of pumps each consisting of one electric and one diesel pump (stand by) of capacity 2 280 litre/min and one electric pump of capacity 180 litre/min (*see* Fig. 11) (*see also* notes 22 and 23).
- 11 Provide required number of sets of pumps each consisting of two electric and one diesel pump (stand by) of capacity 2 280 litre/min and two electric pump of capacity 180 litre/min (*see* Fig. 12) (*see also* Notes 22 and 23).
- 12 Provide required number of sets of pumps each consisting of two electric and one diesel pump (stand by) of capacity 2 850 litre/min and two electric pump of capacity 180 litre/min (*see* Fig. 12) (*see also* Notes 22 and 23).
- 13 Lower levels in high rise buildings 60 m or above in height are likely to experience high pressure and therefore, it is recommended to consider multi-stage, multi-outlet pumps (creating pressure zones) or variable frequency drive pumps or any other equivalent arrangement.
- 14 Provide required number of sets of pumps each consisting of one electric and one diesel pump (stand by) of capacity 1 620 litre/min and one electric pump of capacity 180 litre/min (*see* Fig. 11) (*see also* Notes 22 and 23).
- 15 Required to be provided for buildings with more than one storey.
- 16 Buildings above 30 m in height not to be permitted for Group B, Group C, Group D and Group F occupancies.
- 17 The requirements given in this table for Group G Industrial Buildings are for small scale industry units. For other industries the requirements will have to be worked out on the basis of relevant Indian Standards and also in consultation with the local fire authorities.
- 18 Buildings above 18 m in height not to be permitted for G-1 and G-2 occupancies.
- 19 Buildings above 15 m in height not to be permitted for G-3 occupancies.
- 20 Buildings above 15 m in height not to be permitted for Group H and Group J occupancies. However, buildings above 45 m in height shall not be permitted for multi-level car parking (MLCP) occupancy.
- 21 Pump capacity shall be based on the covered area of the building.
- 22 One set of pumps shall be provided for each 100 hydrants or part thereof, with a maximum of two sets. In case of more than one pump set installation, both pump sets shall be interconnected at their delivery headers.
- 23 Alternative to provisions of additional set of pumps, the objective can be met by providing additional diesel pump of the same capacity and doubling the water tank capacity as required for one set of pumps.
- 24 As per the requirement of local authority dry riser may be used in hilly areas, industrial areas or as required.



Guidelines for selection of various types of fire detectors for different occupancies and their installation and maintenance shall be in accordance with good practice [4(16)] and the Part 12 'Asset and Facility Management' of the Code.

- h) In buildings where automatic fire alarm system is provided, the following shall be monitored from fire alarm panel:
- 1) Water level in all tanks.
  - 2) Hydrant and sprinkler pressures of respective zones as provided.
  - 3) Pump 'ON/OFF' status.
  - 4) All isolation valves, wherever provided with supervisory switch (non-padlock valves).
  - 5) Other requirements to meet electro-mechanical services interface.

#### 4.10 Fire Officer

**4.10.1** A qualified Fire Officer with experience of not less than 3 years shall be appointed who will be available on the premises, for large educational complexes, business buildings with height 30 m and above, residential building with height 60 m and above, institutional buildings of 15 m and above, starred hotels and D-6 occupancy.

**4.10.2** The Fire Officer shall,

- a) maintain the firefighting equipment in good working condition at all times.
- b) prepare fire orders and fire operational plans and get them promulgated.
- c) impart regular training to the occupants of the buildings in the use of firefighting equipment provided on the premises and keep them informed about the fire emergency evacuation plan.
- d) keep proper liaison with the city fire brigade.
- e) ensure that all fire precautionary measures are observed at the times.

NOTE — Competent authority having jurisdiction may insist on compliance of the above rules in case of buildings having very large areas even if the height is less than 30 m.

#### 4.11 Fire Drills and Fire Orders

Fire notices/orders shall be prepared to fulfil the requirements of firefighting and evacuation from the buildings in the event of fire and other emergency. The occupants shall be made thoroughly conversant with their action in the event of emergency, by displaying fire notices at vantage points and also through regular training. Such notices should be displayed prominently in bold lettering.

For guidelines for fire drills and evacuation procedures for high rise buildings, *see* Annex D.

### 5 FIRE PROTECTION

#### 5.1 Fire Extinguishers/Fixed Firefighting Installations

**5.1.1** All buildings depending upon the occupancy use and height shall be protected by fire extinguishers, hose reels, wet riser, down-comer, yard hydrants, automatic sprinkler installation, deluge system, high/medium velocity water spray, foam, water mist systems, gaseous or dry powder system, manual/automatic fire alarm system, etc, in accordance with the provisions of various clauses given below, as applicable:

- a) These fire extinguishing equipment and their installation shall be in accordance with accepted standards [4(17)]. The extinguishers shall be mounted at a convenient height to enable its quick access and efficient use by all in the event of a fire incidence. The requirements of fire extinguishers/yard hydrant systems/wet riser/down-comer installation and capacity of water storage tanks and fire pumps, etc, shall be as specified in Table 7. The requirements regarding size of mains/risers shall be as given in Table 8. The typical arrangements of down-comer and wet riser installations are shown in Fig. 13. The wet riser shall be designed for zonal distribution ensuring that unduly high pressures are not developed in risers and hose-pipes.
- b) First-aid firefighting appliances shall be provided and installed in accordance with good practice [4(18)]. The firefighting equipment and accessories to be installed in buildings for use in firefighting shall also be in accordance with the accepted standard [4(17)] and shall be maintained periodically so as to ensure their perfect serviceability at all times.
- c) Valves in fixed firefighting installations shall have supervisory switch with its signalling to fire alarm panel or to have chain(s), pad lock(s), label and tamper-proof security tag(s) with serial number to prevent tampering/unauthorized operation. These valves shall be kept in their intended 'open' position.
- d) In addition to wet riser or down-comer, first-aid hose reels shall be installed in buildings (where required under Table 7) on all the floors, in accordance with accepted standard [4(19)]. The first-aid hose reel shall be

connected directly to the riser/down-comer main and diameter of the hose reel shall not be less than 19 mm.

- e) Wet risers shall be interconnected at terrace level to form a ring and cut-off shall be provided for each connection to enable repair/maintenance without affecting rest of the system.
- f) Pressure at the hydraulically remote hydrant and at the highest hydrant shall not be less than 3.5 bar. The pressure at the hydrants shall however not exceed 7.0 bar, considering the safety of operators. It may be planned to provide orifice plates for landing valves to control pressure to desired limit especially at lower levels; this could also be achieved through other suitable means of pressure reducing devices such as pressure controlled hydrant valves.
- g) Hydrants for firefighting and hose reels shall be located in the lobby in firefighting shaft. Those hydrants planned to be provided near fire exit staircase on the floor shall be within 5 m from exit door in exit access. Such hydrant cabinet may finish with doors to meet interior finishes with requirement of glass panel to provide visibility to the installations inside and inscribed with the word: 'FIRE HOSE CABINET' of letter size 75 mm in height and 12 mm in width. Such door of the fire hose cabinet need not be fire resistant rated. The location of such cabinets shall be shown on floor plan and duly displayed in the landing of the respective fire exit staircase.

### 5.1.2 Static Water Storage Tanks and Pump House

#### 5.1.2.1 Static water storage tanks

A satisfactory supply of water for the purpose of firefighting shall always be available in the form of underground/terrace level static storage tank with capacity specified for each building with arrangements or replenishment.

Water for the hydrant services shall be stored in an easily accessible surface/underground lined reservoir or above ground tanks of steel, concrete or masonry. The effective capacity of the reservoir above the top of the pump casing (flooded suction) for various types of occupancies shall be as indicated in Table 7.

Water for firefighting shall be stored in two or more interconnected compartments of equal size to facilitate cleaning and maintenance of the tanks without interrupting the water availability for firefighting.

To prevent stagnation of water in the static water storage tank, the suction tank of the domestic water supply shall

be fed only through an overflow arrangement from the fire water storage tanks to maintain the level therein at the minimum specified capacity.

Alternatively, domestic and fire water can be stored in two interconnected compartments as mentioned above. The suction inlet(s) for the domestic water pumps shall be so located at an elevation that minimum water requirements for firefighting as stated in Table 7 will be always available for fire pumps.

The static storage water supply required for the above mentioned purpose shall entirely be accessible to the fire engines of the local fire service. Suitable number of manholes shall be provided for inspection, repairs, insertion of suction hose, etc. As an alternative to the arrangement of manholes to allow access from the top, suitable arrangement to enable efficient access to the tank by the firemen from the adjoining fire pump room having direct access from the ground level, shall be made. The underground fire water storage tank(s) shall not be more than 7 m in depth from the level having fire brigade draw-out connection, while the draw-out connection shall not be more than 5 m away from the tank wall.

The covering slab shall be able to withstand a total vehicular load of 45 t (or as applicable) equally divided as a four-point load when the slab forms a part of pathway/driveway.

The static water storage tank shall be provided with a fire brigade collecting head with 4 number 63 mm diameter (2 number 63 mm diameter for pump with capacity 1 400 litre/min) instantaneous male inlets arranged in a valve box at a suitable point at street level. The same shall be connected to the static tank by a suitable fixed galvanized iron pipe not less than 150 mm in diameter to discharge water into the tank when required at the rate of 2 250 litre/min, if tank is in the basement or not approachable for the fire engines.

Each of the static water storage tanks shall also be provided with a fire brigade draw out collecting head with 63 mm diameter instantaneous male draw out arranged in a valve box at a suitable point at street level. This draw out shall be connected to galvanized iron pipe of 100 mm diameter with foot valve arrangement in the tank.

#### 5.1.2.2 Firefighting pump house

The requirements shall be as given below:

- a) It is preferable to install the pump house at ground level. Pump house shall be situated so as to be directly accessible from the surrounding ground level.
- b) Pump house shall be installed not lower than the second basement. When installed in the

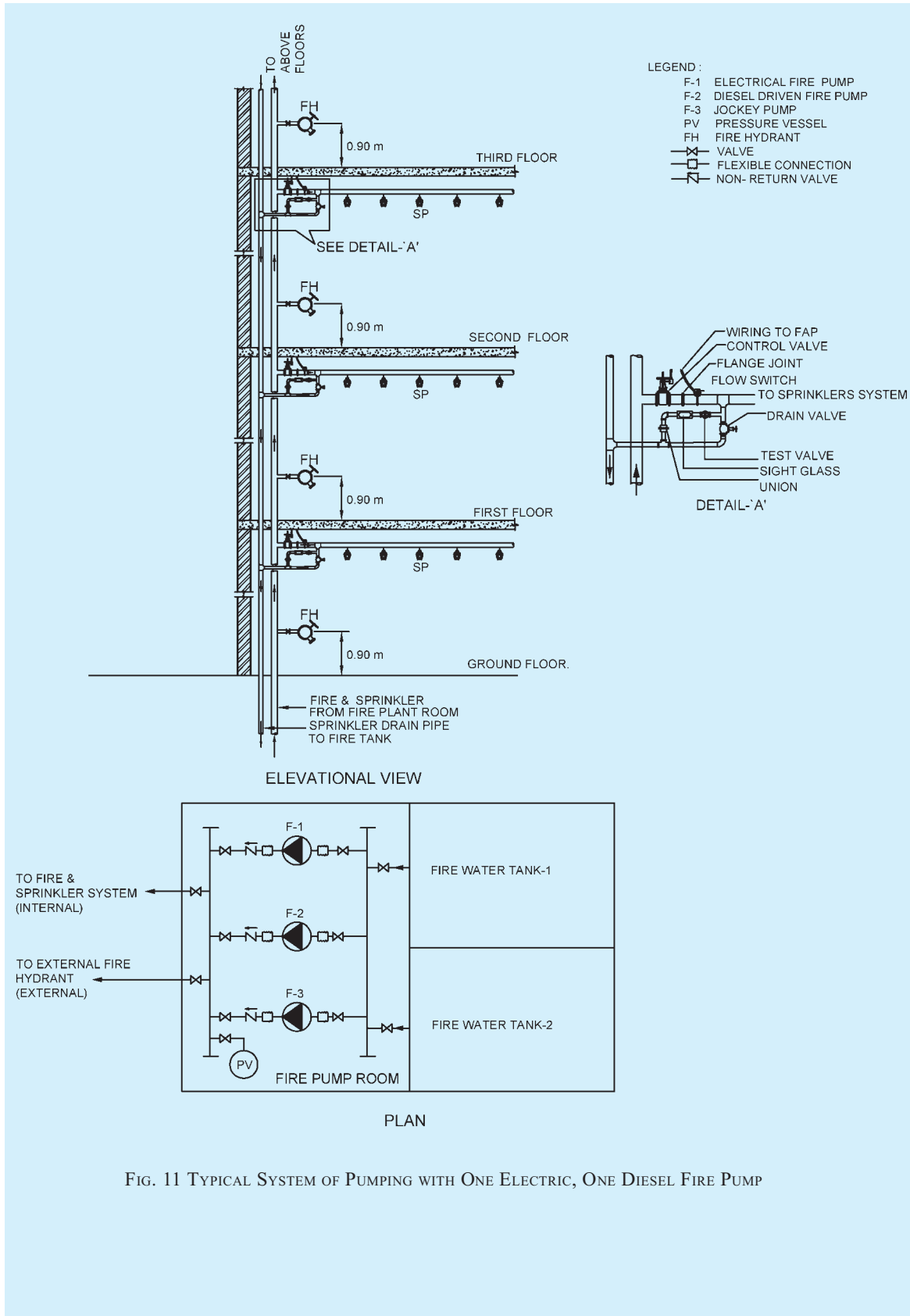
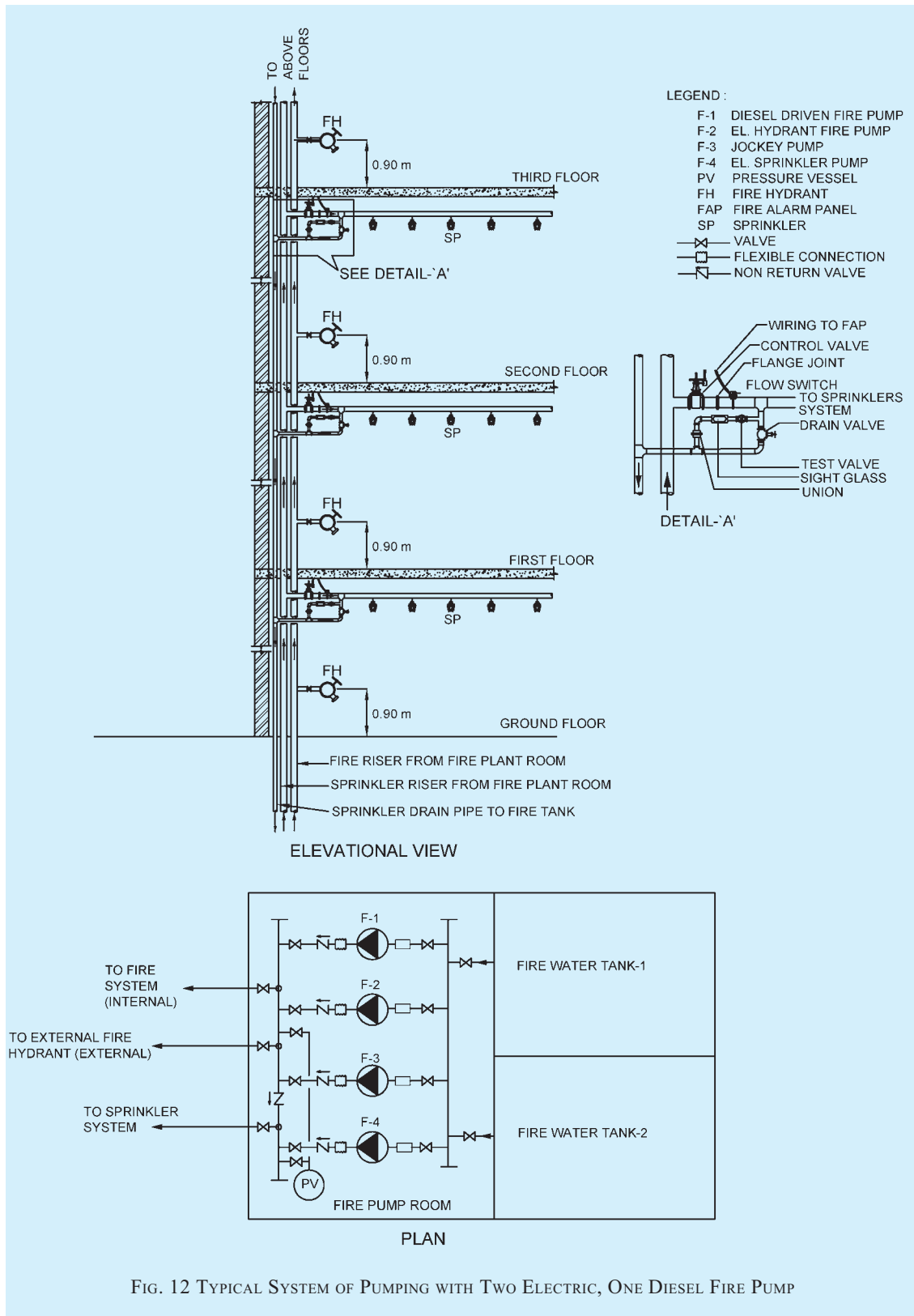


FIG. 11 TYPICAL SYSTEM OF PUMPING WITH ONE ELECTRIC, ONE DIESEL FIRE PUMP



Supplied by Book Supply Bureau Under the License from BIS for LARSEN AND TOUBRO CONSTRUCTION - MANAPAKKAM, CHENNAI ON 17-03-2017 08:57:36 (123.63.24.35) valid upto31-12-2018

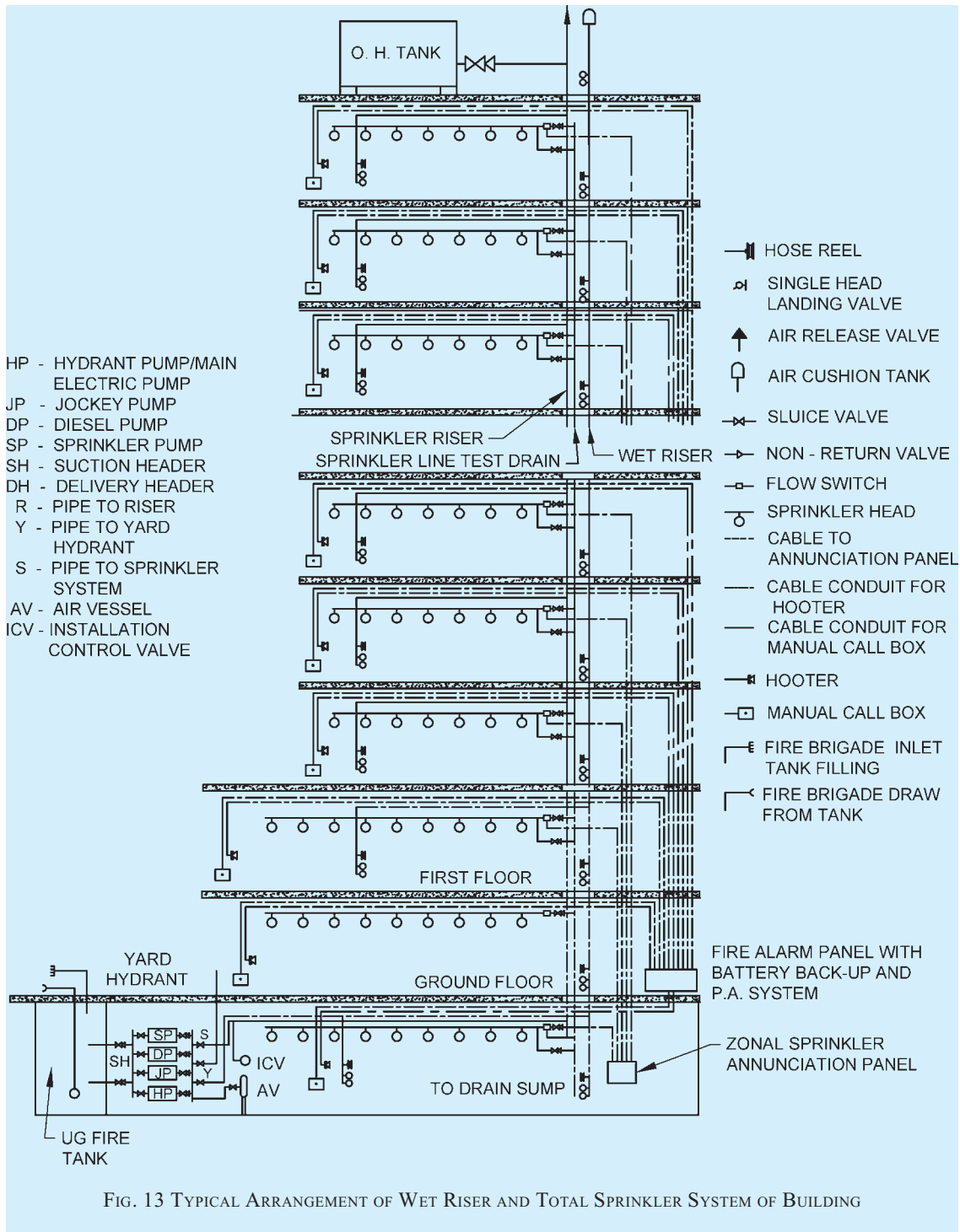


FIG. 13 TYPICAL ARRANGEMENT OF WET RISER AND TOTAL SPRINKLER SYSTEM OF BUILDING



**Table 8 Size of Mains**  
[Clause 5.1.1(a)]

Sl No. (1)	Size of the Mains mm (2)	Type of Building (3)	Remarks (4)
i)	100 mm with single outlet landing valves	a) Residential building (A):	
		1) Dormitories	—
		2) Apartments	—
		3) Hotels	Up to 45 m height
		b) Educational buildings (B)	—
		c) Institutional buildings (C)	Up to 30 m height
		d) Assembly buildings (D)	—
		e) Business buildings (E)	Up to 45 m height
ii)	150 mm with single outlet landing valves	f) Mercantile buildings (F)	—
		g) Industrial buildings (G)	Up to 15 m height
		a) Hotels	Above 45 m height
		b) Starred hotels	—
		c) Institutional buildings (C)	Above 30 m height
		d) Business buildings (E)	Above 45 m height
		e) Industrial buildings (G)	Above 15 m height
		f) Storage buildings (H)	Up to 15 m height
g) Hazardous buildings (J)	Up to 15 m height		

basement, staircase with direct accessibility (or through enclosed passageway with 120 min fire rating) from the ground, shall be provided. Access to the pump room shall not require to negotiate through other occupancies within the basement.

- c) Pump house shall be separated by fire walls all around and doors shall be protected by fire doors (120 min rating).
- d) Pump house shall be well ventilated and due care shall be taken to avoid water stagnation.
- e) No other utility equipment shall be installed inside fire pump room.
- f) Insertions like flexible couplings, bellows, etc, in the suction and delivery piping shall be suitably planned and installed.
- g) Installation of negative suction arrangement and submersible pumps shall not be allowed.
- h) Pump house shall be sufficiently large to accommodate all pumps, and their accessories like PRVs, installation control valve, valves, diesel tank and electrical panel.
- j) Battery of diesel engine operated fire pump shall have separate charger from emergency power supply circuit.
- k) Exhaust pipe of diesel engine shall be insulated as per best engineering practice and taken to a safe location at ground level, considering the back pressure.
- m) Fire pumps shall be provided with soft starter or variable frequency drive starter.

### 5.1.3 Automatic Sprinkler Installation

The requirements shall be as given below:

- a) Automatic sprinklers shall be installed wherever required in terms of Table 7 throughout the building in accordance with good practice [4(20)].
- b) If selective sprinklering is adopted, there is a real danger of a fire starting in one of the unsprinklered area gathering momentum spreading to other areas and reaching the sprinklered areas as a fully developed fire. In such an event, the sprinklers can be rendered useless or ineffective.
- c) Automatic sprinklers shall be installed in false ceiling voids exceeding 800 mm in height.
- d) Installation of sprinklers may be excluded in any area to be used for substation and DG set.
- e) In areas having height 17 m or above such as in *atria*, sprinkler installations may be rendered ineffective and hence may be avoided.
- f) Pressure in sprinkler system shall not exceed 12 bar or else high pressure sprinkler to be installed for above 12 bar operations.
- g) The maximum floor area on any one floor to be protected by sprinklers supplied by any one sprinkler system riser from an installation control valve shall be based on system protection area limitations considering maximum floor area on any one floor to be 4 500 m<sup>2</sup> for all occupancies except industrial and hazardous occupancies, where Authorities

shall be consulted for advice based on type and nature of risk.

- h) Sprinkler installation control valves, shall be installed inside the fire pump room.
- j) For industrial buildings, such installation control valves may be installed outside the building and Authorities shall be consulted in situations where it is not possible to locate them inside the buildings. It is advisable to provide electrically operated siren for each valve outside the buildings in addition to water gongs in such case.
- k) The sprinkler flow switches provided shall be monitored by fire alarm panel.
- m) It is essential to make provisions for avoiding water from sprinkler/hydrant operation entering lifts and electrical rooms.
- n) Ramps at all levels shall be protected with sprinklers.

#### **5.1.4 Automatic High Velocity and Medium Velocity Water Spray Systems**

Automatic high velocity water spray or emulsifying system shall be provided for protection of outdoor and/or indoor oil-cooled transformers as applicable in accordance with good practice [4(21)] where applicable (see Annex E). Also, medium velocity water spray system shall be provided for tankage (where applicable), conveyors, cable galleries and other occupancies listed in good practice [4(21)].

#### **5.1.5 Fixed Foam Installation**

Fixed foam generating system shall be provided for protection of oil storage area for boilers with its ancillary storage of furnace oils in basement. Fixed foam installations can be low, medium or high expansion types, which can be provided based on the type of fire hazards identified in the facility. High expansion foams are used for cable tunnels and other confined areas. Design and installation of foam systems shall be governed by good practice [4(22)].

#### **5.1.6 Gas Based Suppression System**

Gas based fire extinguishing installation shall be provided in accordance with good practice on premises where water or foam cannot be used for fire extinguishing because of the special nature of the contents of the buildings/areas to be protected where either the building(s) have very limited manpower or unmanned. The protection design for fixed carbon dioxide fire extinguishing system shall conform to good practice [4(23)] in all respects. For some special fire risk/essential applications, carbon dioxide may not be suitable and alternate provisions shall be made as per relevant standards (see 5.1.9).

**5.1.7** Firefighting equipment shall be suitably located and clearly marked by luminous signs.

#### **5.1.8 Automatic Water Mist Systems**

These systems involve the use of fine water sprays for the efficient extinguishment of fires. These systems may be provided to protect areas in buildings for the uses as specified in good practice [4(24)].

#### **5.1.9 Extinguishing Systems with Clean Agents**

Alternative systems for halon gas protection systems shall be provided where necessary as prescribed in this Part. These shall be in accordance with the accepted standards [4(25)].

### **5.2 Fire Detection and Alarm System**

See 4.9.

**5.3** The fixed firefighting installations and systems shall be maintained in accordance with good practice [4(26)] and the Part 12 'Asset and Facility Management' of the Code.

## **6 ADDITIONAL OCCUPANCY WISE REQUIREMENTS**

In addition to the general requirements on fire prevention given in 3, the life safety requirements given in 4, and the fire protection requirements given in 5, the following additional requirements shall also be complied with for each type of occupancy.

For additional requirements for high rise buildings, the provisions as given in Annex E shall apply.

Atriums in building occupancies shall comply with the provisions as given in Annex F.

For fire protection requirements of commercial kitchen, cooking facilities with or without restaurants, the provisions of Annex G shall be referred.

### **6.1 Residential Buildings (Group A)**

#### **6.1.1 Life Safety**

##### **6.1.1.1 Subdivision A-1**

- a) All locking devices, which would impede or prohibit exit, such as chain type bolts, limited opening sliding type locks and burglar locks, which are not disengaged easily by quick-releasing catches, shall be prohibited.
- b) All bathroom door locks or fasteners shall be designed to permit the opening of the locked or closed door from the outside in an emergency without the use of a special key.
- c) No lodging or rooming house shall have its sole means of egress pass through any non-residential occupancy in the same building.
- d) Rooming and lodging houses having floor area of 500 m<sup>2</sup> on any one or more floors shall have access to minimum two separate means of exits, at least one of which shall be so arranged as to have direct exit discharge.

### 6.1.1.2 Subdivision A-3

- a) Requirements of 6.1.1.1 shall be applicable.
- b) All sleeping rooms having occupancy of more than 10 persons shall have two separate and distinct exit access in different directions.

### 6.1.1.3 Subdivision A-4

In case of high rise apartments, of the minimum exits as specified in 4.4.2.4.3.1, the naturally ventilated exit staircases may not require the provision of fire door. However, fire door shall be provided for all other staircases and pressurized staircases.

### 6.1.1.4 Subdivision A-5

- a) Panic bars shall be provided in the fire exits. Panic bars shall be located at a height between 865 mm and 1 220 mm from the floor level.
- b) All guest rooms and suites shall be protected by extended throw, quick response type sprinklers only. Also these areas shall be provided with audio-based detectors, having a sound level of at least 75 dB.
- c) Horizontal-sliding doors shall not be used for door openings across corridors.

### 6.1.2 Additional Precautions

- a) Flammable liquids for household purposes shall be kept in tightly stoppered or sealed containers. For the limits of quantities of flammable liquids to be allowed in various occupancies, reference may be made to appropriate regulations.
- b) No stove or combustion heater shall be located directly under or immediately at the foot of stairs or otherwise so located as to block escape in case of malfunctioning of the stove or heater.
- c) All kitchen exhaust fans, where provided, shall be fixed to an outside wall or to a duct of non-combustible material, which leads directly to the outside. The ducts shall not pass through areas having combustible materials. However, in case of centralized ducting, the duct shall be provided with adequate protection to limit the spread of fire.
- d) Stores, engineering workshops, areas of high hazard, etc used for storage of substantial amount of flammable liquids shall be of 120 min fire resistance rating wall. Such areas shall be provided with fire doors, to be kept closed and shall be posted with a sign on each

side of the door in 25 mm high block letters stating — ‘FIREDOOR — KEEP CLOSED’.

## 6.2 Educational Buildings (Group B)

### 6.2.1 Fire Prevention

- a) Buildings intended for educational occupancy shall not be used for storage of any hazardous material.
- b) Gymnasiums, indoor stadiums and similar occupancies are permitted to have floors/ running tracks of wood, cinder, synthetic or the like.

### 6.2.2 Life Safety

- a) Every room with a capacity of over 45 persons in area shall have at least two doorways. Exit doors shall be operated by panic bars except that doors leading from classrooms directly to the outside may be equipped with the same type of lock as is used on classroom doors leading to corridor, with no provision whatsoever for locking against egress from the classroom.
- b) A building, which will have only the first floor and is accessible to not more than 20 pupils at any time, may be used for school purposes with the following exceptions:
  - 1) Exterior walls or parts of walls which are less than 900 mm from adjacent property lines shall have no openings therein.
  - 2) Classrooms may have only one exit not less than 900 mm wide.
- c) Rooms or areas for use by the preschool, kindergarten, Class/Grade 1 students shall be located on ground floor/level of exit discharge. Rooms or areas occupied by Class/Grade II students shall be located not above one floor higher than ground floor/level of exit discharge.
- d) Of the minimum exits as specified in 4.4.2.4.3.1, the naturally ventilated exit staircases, may not require provision of fire door. However, fire door shall be provided for all other staircases and pressurized staircases.

### 6.2.3 Additional Precautions

- a) Storage of volatile flammable liquids shall be prohibited and the handling of such liquids shall be restricted to science laboratories only.
- b) All exterior openings in a boiler room or rooms containing central heating equipment,

if located below an opening in another storey or if less than 3 m from other doors or windows of the same building, shall be protected by a fire assembly as in 3.4.5. Such assemblies shall be of fixed, automatic or self-closing type.

### 6.3 Institutional Buildings (Group C)

#### 6.3.1 Fire Prevention

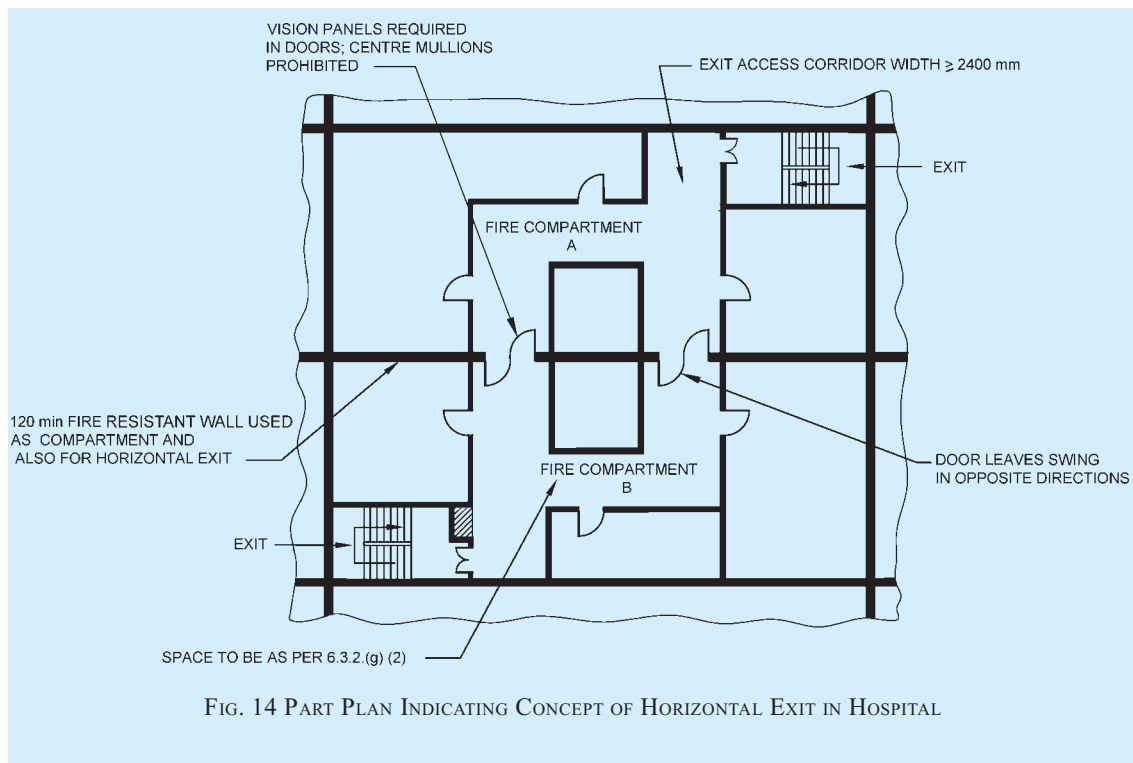
No combustible material of any kind shall be stored or used in any building or section thereof used for institutional occupancy, except as necessary to normal occupancy and use of the building.

#### 6.3.2 Life Safety

- The common path of travel shall be 30 m. The maximum dead end of corridor distance shall not exceed 6 m.
- Principle of progressive horizontal evacuation is of paramount consideration for hospital patients particularly those lacking self-preservation. This calls for moving occupants from a fire affected area to an adjoining area at the same level through a fire resistant wall, to protect them from the immediate dangers of fire and smoke (see Fig. 14).
- Progressive horizontal evacuation operates on the basis of evacuation from compartment to

compartment and on use of adjacent compartments as temporary means of refuge. All compartments shall be divided with self-closing (door closers) fire doors with electromagnetic hold open. A coordinator shall be provided to sequence the closing of double leaf in case of emergency.

- Doors in fire resistant walls shall be so installed that these may normally be kept in open position, but will close automatically. Corridor door openings shall be not less than 2.0 m in width of double swing double leaf type door. A coordinator shall be provided as above, for closing of double leaf in case of emergency.
- Exits and other features for penal and mental institutions, and custodial institutions shall be the same as specified for hospitals [see 6.3.2 (g)], in so far as applicable. Reliable means shall be provided to permit the prompt release of inmates from any locked section in case of fire or other emergency.
- All buildings or sections of buildings in penal and mental institution used for manufacturing, storage or office purposes shall have exits in accordance with the provisions of the Code for those occupancies.

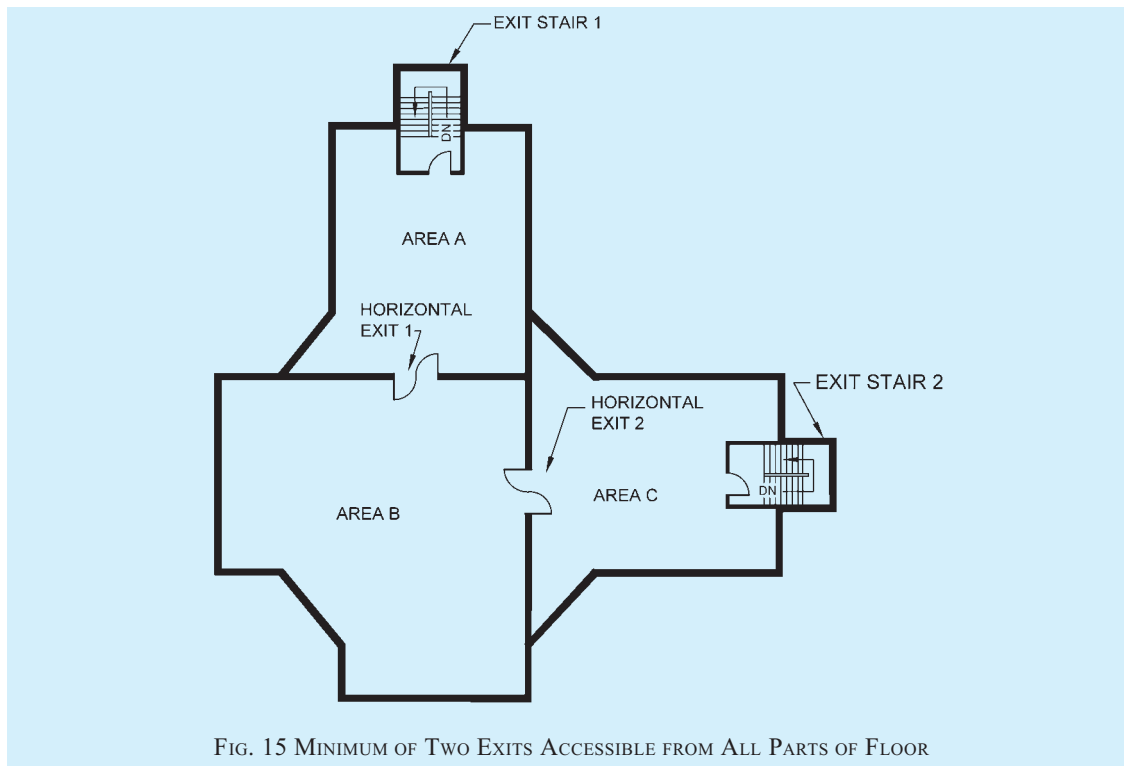


- g) For hospitals (Subdivision C-1), the following shall also be complied with:
- 1) Compartmentation shall meet the requirement as per 4.5.2.
  - 2) Each compartment (*see* 4.5.2) shall be able to accommodate, in addition to its own, the patients from adjoining compartment also considering 3.5 m<sup>2</sup> per person. If patients are not bed-ridden, a factor of 0.6 m<sup>2</sup> per person is recommended.
  - 3) All critical patients and those incapable of self-preservation and having physical impairment shall be housed within 30 m height.
  - 4) Other types of patients and occupancies incidental to the hospitals such as consultation rooms, nurses' stations, medical shops, canteens, etc may be housed at heights beyond 30 m but not more than 45 m.
  - 5) Basement shall not be used to store flammables or for pathological or other laboratories particularly those involving usage of chemicals.
  - 6) Operation theatres, delivery rooms, Intensive care units, recovery rooms, etc, that containing patients lacking self-preservation in case of emergencies shall be fire/smoke separated (120 min minimum rating) from all the adjoining areas.
  - 7) Aisles, corridors, ramps, etc, through which patients are moved, shall have a minimum width of 2.4 m throughout. Aisles, corridors, and ramps in other areas not intended for the housing, treatment, or use of inpatients shall be not less than 1.5 m in width.
  - 8) All exits from hospital or infirmary sections shall be not less than 2.0 m in width.
  - 9) Minimum width of door of single or double occupancy patient room shall be 1.25 m while for the wards for 3 to 5 patient beds shall be 1.50 m, to permit movement of patients. The minimum width of door for wards for more than 5 patient beds and for areas necessarily requiring patient evacuation on bed (such as ICU, recovery units, delivery rooms, etc), shall have door width of 2.0 m. The width of 2.0 m may be reduced to minimum of 1.5 m where two such doors are provided in such areas.
  - 10) Any sleeping accommodation or suite exceeding 100 m<sup>2</sup> in area shall have at least two doorways leading to the exit access corridors.
  - 11) Floor surface of corridors shall not be inclined at a gradient steeper than 1 in 12 to the horizontal.
  - 12) Exit access corridors from a compartment to another compartment shall be divided at the compartment intersection by a fire door of 120 min fire rating in the fire compartment wall.
  - 13) Rooms designated for laboratory and the like shall not exceed 100 m<sup>2</sup> in area and if additional space is required, fire separation of 120 min shall be provided.
  - 14) Storage of flammable liquids in laboratories or in any other area shall be not more than 3 litre for every 10 m<sup>2</sup> area.
  - 15) Disposal of any equipment and other (particularly hazardous) materials shall be accomplished in the premises by a disposal specialist or at a safe location away from the health care facility by competent personnel using procedures established in concurrence with the safe practices.
  - 16) A stretcher lift in a lift bank shall also act as fireman's lift meeting the requirements of Part 8 'Building Services, Section 5 Installation of Lifts, Escalators and Moving Walks, Subsection 5A Lifts' of the Code.
- h) *Progressive evacuation strategy* — See Fig. 15, in which, as an example, the exit calculations at two locations shall be based on requirements of total occupancy for area (A, B and C) divided by 2 considering progressive evacuation strategy.

### 6.3.3 Exception and Deviation

It is recognized that in institutions or part of buildings housing various types of psychiatric patients, or used as mental institutions and penal institutions, it is necessary to maintain locked doors and barred windows; and to such extent the necessary provision in other sections of the code requiring the keeping of exits unlocked may be waived. It is also recognized that certain type of psychiatric patients are not capable of seeking safety without adequate guidance. In buildings where this situation prevails, reliable means for the rapid release of occupants shall be provided, such as remote control of locks, or by keying all locks to keys commonly used by attendants.





#### 6.4 Assembly Buildings (Group D)

##### 6.4.1 Fire Prevention

6.4.1.1 The following shall be applicable:

- a) Decorations of places of assembly shall be of non-flammable materials. Fabrics and papers used for such purpose shall be treated with an effective flame-retardant material. Stage settings made of combustible materials shall likewise be treated with fire retardant materials of Class 1 flame spread.
- b) Gymnasiums, indoor stadiums and similar occupancies are permitted to have floors/running tracks of wood, cinder, synthetic or the like.

##### 6.4.1.2 Additional fire prevention requirements for D-6 occupancy

Building having D-6 mixed use assembly/mercantile occupancy will limit the height of the assembly/mercantile occupancy portion of the buildings to 30 m. Above this height the buildings may be used for business or residential occupancies with 240 min separation. Independent exits shall be provided for such occupancy above 30 m and shall not interface with exits of assembly/mercantile occupancy.

##### 6.4.2 Life Safety

6.4.2.1 The following shall be applicable:

- a) Exit door width for assembly buildings shall not be less than 2.0 m.
- b) Every place of assembly of sub-division D-1 shall have at least four separate exits as remote from each other as practicable.
- c) Every place of assembly of sub-division D-2 shall have at least two separate exits as remote from each other as practicable and if of capacity over 600, at least three exits shall be provided with each exit not less than of 2.0 m width.
- d) Clear aisles not less than 1.2 m in width shall be formed at right angles to the line of seating in such number and manner that no seat shall be more than seven seats away from an aisle. Rows of seats opening on to an aisle at one end only shall have not more than seven seats. Under the conditions, where all these aisles do not directly meet the exit doors, cross-aisles shall be provided parallel to the line of seating so as to provide direct access to the exit, provided that not less than one cross aisle for every 10 rows shall be required. The width of cross-aisles shall be minimum of 1 m. Steps shall not be placed in aisles to overcome differences in levels, unless the gradient exceeds 1 in 10.

- e) The fascia of boxes, balconies and galleries shall have substantial railings not less than 1 000 mm high above the floor. The railings at the end of aisles extending to the fascia shall be not less than 1 100 mm high for the width of the aisle or 1.2 m high at the foot of steps.
- f) Cross-aisles, except where the backs of seats on the front of the aisle project 600 mm or more above the floor of the aisle, shall be provided with railings not less than 900 mm high.
- g) No turnstiles or other devices to restrict the movement of persons shall be installed in any place of assembly in such a manner as to interfere in any way with the required exit facilities.
- h) In theatres and similar places of public assembly where persons are admitted to the building at a time when seats are not available for them and are allowed to wait in a lobby or similar space until seats are available, such use of lobby or similar space shall not encroach upon the required clear width of exits. Such waiting shall be restricted to areas separated from the required exit ways by substantial permanent partitions or fixed rigid railing not less than 1 050 mm high. Exits shall be provided for such waiting spaces on the basis of one person for each 0.3 m<sup>2</sup> of waiting space area. Such exits shall be in addition to the exits specified for the main auditorium area and shall conform in construction and arrangement to the general rules of exits given above.
- j) No display or exhibit shall be so installed or operated as to interfere in any way with access to any required exit, or with any required exit sign.
- k) All displays or exhibits of combustible material or construction and all booths and temporary construction in connection therewith shall be so limited in combustibility or protected as to avoid any undue hazard of fire which might endanger occupants before they have opportunity to use the available exits, as determined by the authority.
- m) Places of assembly in buildings of other occupancy may use exits common to the place of assembly and the other occupancy, provided the assembly area and the other occupancy are considered separately, and each has exits sufficient to meet the requirements of the Code.
- n) Exits shall be sufficient for simultaneous occupancy of both the places of assembly and other parts of the building.
- p) For detailed information regarding cinema buildings, reference may be made to good practice [4(27)].
- q) Seats in places of public assembly, accommodating more than 300 persons, shall be securely fastened to the floor, except as permitted in (r) below. All seats in balconies and galleries shall be securely fastened to the floor, except that in nailed-in enclosures, boxes with level floors and having not more than 14 seats, the seats need not be fastened.
- r) Chairs not secured to the floor may be permitted in restaurants, night clubs and other occupancies where the fastening of seats to the floor may not be practicable, provided that in the area used for seating, excluding dance floor, stage, etc, there shall be not more than one seat for each 1.4 m<sup>2</sup> of floor area and adequate aisles to reach exits shall be maintained at all times. The arrangements shall be as follows in general:
- 1) Rows of seats between aisles shall have not more than 14 seats.
  - 2) Rows of seats opening on to an aisle at one end only shall have not more than 7 seats.
  - 3) Seats without dividing arms shall have their capacity determined by allowing 450 mm per person.
- s) The spacing of rows of seats from back to back shall be neither less than 850 mm nor less than 700 mm plus the sum of the thickness of the back and inclination of the back. There shall be a space of not less than 350 mm between the back of one seat and the front of the seat immediately behind it as measured between plumb lines.
- t) *Lighting* — No open flame lighting devices shall be used in any place of assembly, except in the following cases:
- 1) Where necessary for ceremonial purposes, the enforcing Authority may permit open flame lighting under such restrictions as are necessary to avoid danger of ignition of combustible materials or injury to occupants.
  - 2) Candles may be used on restaurant tables if securely supported on non-combustible bases and so located as to avoid danger of ignition of combustible materials.
  - 3) Open flame devices may be used on stages where they are a necessary part of

theatrical performance, provided adequate precautions, satisfactory to the Authority are taken to prevent ignition of combustible materials.

#### 6.4.2.2 Life safety provisions for D-6 occupancy

The following additional requirements shall be applicable:

- a) Assembly occupancies of theatres, cinema halls and multiplexes shall be so located in the mall building that their exits will be separate and lead the occupant directly to exit discharge.
- b) The common path of travel shall be 30 m. The maximum dead end of corridor distance shall not exceed 6 m.
- c) The minimum width of an exit passageway shall be 2.0 m.
- d) Where wheeled carts or buggies are used by customers, adequate provision shall be made for the transit and parking of such carts to minimise the possibility that they might obstruct means of egress. Any other storage or hindrances causing obstruction in exits shall be avoided.
- e) Car parking facilities shall comply with Annex H. Car parking areas at upper levels adjacent to shops, food courts or multiplex shall be separated by 120 min fire rated construction and building elements.
- f) 50 percent lifts in common areas in D-6 shall be with features and requirement of fireman's lift.
- g) The manual call points shall be break glass and not pull stations.
- h) Photoluminescent markings shall be done along the width and length of treads in all enclosed exits staircases. Exit directional arrow on the wall (in the direction of egress) shall be 175 mm × 50 mm.
- j) Refuge area to be provided on the floor at or immediately above 18 m shall be not less than 10 percent of gross area of floor. Next refuge area to be at/on the floor immediately above 24 m. The refuge area shall be 10 percent of the respective floor, which may be divided into two or more separate refuge areas at each of the respective floors, with each being not less than 100 m<sup>2</sup>. Refuge area shall also meet all the requirements of life safety as per 4.

#### 6.4.3 Fire Protection

- a) Every stage equipped with fly galleries, grid irons and rigging for movable theatre type scenery, shall have a system of automatic

sprinklers over and under such stage areas or spaces and auxiliary spaces, such as dressing rooms, store rooms and workshops, and the proscenium opening shall be provided with a fire resisting curtain, capable of withstanding a lateral pressure of 4 kN/m<sup>2</sup> over the entire area. The curtain shall have an emergency closing device capable of causing the curtain to close without the use of power and when so closed, it shall be reasonably tight against the passage of smoke.

- b) The stage roof of every theatre using movable scenery or having a motion picture screen of highly combustible construction shall have a ventilator or ventilators in or above it, openable from the stage floor by hand and also opening by fusible links or some other approved automatic heat/smoke actuated device, to give a free opening equal to at least one-eighth the area of the floor of the stage.
- c) The proscenium wall of every theatre using movable scenery or decorations shall have, exclusive of the proscenium opening, not more than two openings entering the stage, each not to exceed 2 m<sup>2</sup> and fitted with self-closing fire resistant doors.
- d) Every place of assembly in which projection of motion pictures by light is made shall have the projection apparatus enclosed in a fire resisting fixed booth in accordance with good practice [4(27)], except that such booth shall not be required where no nitrocellulose motion picture film is used.

#### 6.4.4 Fire Protection and Firefighting System for Metro Stations (D-7 Occupancy)

Fire and life safety requirements for metro stations and metro trainways shall be in accordance with Annex J and Annex K, respectively.

### 6.5 Business Buildings (Group E)

#### 6.5.1 Life Safety

Not less than two exits shall be provided for every floor, including basements occupied for office purposes or uses incidental thereto.

#### 6.5.2 Fire Protection

- a) For Subdivision E-2, the requirement shall be provision of automatic fire detection alarm system, while for fire protection, CO<sub>2</sub> and/or foam based installation to be planned based on the requirements.
- b) For Subdivision E-3, E-4 and E-5, the requirement shall be provision of automatic

fire detection alarm system, while for fire protection, any or combination of clean agents, mist technologies, hypoxic air technology, etc, may be planned for appropriate/special situations/locations. Electrical panels may be provided with CO<sub>2</sub>/inert gas flooding system based on the requirement and reliability of power for the functional requirement and performance.

## 6.6 Mercantile Buildings (Group F)

### 6.6.1 Life Safety

**6.6.1.1** Open air mercantile operations, such as open air markets, petrol filling stations, roadside stands for the sale of a farm produce and other outdoor mercantile operations shall be so arranged and conducted as to maintain free and unobstructed ways of travel at all times to permit prompt escape from any point of danger in case of fire or other emergency, but no dead-ends in which persons might be trapped due to display stands, adjoining buildings, fences, vehicles or other obstructions.

**6.6.1.2** If such mercantile operations are conducted in roofed-over areas, these shall be treated as mercantile buildings, provided canopies over individual small stands to protect merchandise from the weather shall not be construed to constitute buildings for the purpose of the Code.

### 6.6.2 Exception and Deviation

Any mercantile occupancy, where goods of a highly hazardous nature are predominant, shall be considered under Group J occupancy for the purpose of the Code.

## 6.7 Industrial Buildings (Group G)

### 6.7.1 Fire Prevention

#### 6.7.1.1 Fire separating walls, fire separating floors and fire partitions

Fire separating walls shall be provided between two buildings or between two blocks inside a building, having different fire hazards in accordance with the provisions of this Part. The areas having storage, manufacturing, hazardous activities such as paint store, oil storage, spray booths, etc, shall be separated from non-hazardous areas like administrative office, staff canteen, etc by fire rated walls/doors of 120 min fire resistance rating. The fire resistance rating of high hazardous areas like petrochemical, explosives shall be 240 min.

The fire separating wall where provided shall comply with the following requirements:

- a) The separating wall shall be carried through the roof. This portion of the wall extending

above the roof, known as 'screen wall' shall be of such a height (in no case less than 600 mm) that the horizontal distance at the level of the top of the screen wall between the roofs of the buildings/compartments being segregated is at least 6 m.

- b) The screen wall shall be of not less than 230 mm in thickness if it is an extension of a masonry wall, and not less than 150 mm in thickness if it is an extension of a reinforced concrete wall.
- c) The separating wall need not be extended as a screen wall if the roof of one or both of the buildings/blocks being segregated is of reinforced concrete construction (RCC).
- d) In the case of buildings of unequal height, windows or other openings in the wall of the higher building overlooking the roof of the lower building and within 6 m, thereof, shall be protected by fire resistant glass assembly or by approved type fire doors unless the roof of the lower building is of reinforced concrete.
- e) In case the eaves of the higher building fall within 6 m of the roof of the lower building such eaves should be cut-off and the screen wall raised as a parapet, 600 mm high over the roof of the higher building, unless the roof of the lower building is of RCC construction.
- f) Fire separating walls shall also be extended outwards on both sides by at least 450 mm.
- g) Doors and window openings in external walls within 3 m of the fire separating walls shall be protected by fire doors having a rating of at least 60 min and window openings may be protected by fire resistant glass assembly having same fire rating.
- h) In the case of buildings/compartments having north-light roofs when a separating wall runs parallel to the axis of the north-light opening, the screen wall shall be carried through and 600 mm above the ridge of the north light. If, however, the separating wall is at right angles to the axis of the north-light opening, the saw tooth gaps shall be bricked up and the screen wall extended 600 mm above the ridge of the north light as well as beyond the extreme north-light opening.
- j) Similarly, the thickness of the floor slabs in case of buildings having upper levels shall be designed to provide fire rating as mentioned above.
- k) Storage areas shall be separated from the remainder of the building/block by fire walls.



- m) Moderate and high hazard areas in industries to have two fire doors each having 180 min fire resistance rating.

### 6.7.2 Life Safety

**6.7.2.1** In buildings used for aircraft assembly or other occupancy requiring undivided floor areas so large that the distances from points within the area to the nearest outside walls where exit doors could be provided are in excess of 45 m, requirements for distance to exits may be satisfied by providing stairs leading to exit tunnels or to overhead passageways. In cases where such arrangements are not practicable, the Authority may, by special ruling, permit other exit arrangements for single storeyed buildings with distances in excess of the maximum distances specified in 4, if completely automatic sprinkler protection is provided and if the heights of ceiling curtain boards and roof ventilation are such as to minimise the possibility that employees will be overtaken by the spread of fire or smoke within 1.8 m of the floor level before they have time to reach exits, provided, however, that in no case may the distance of travel to reach the nearest exit exceed 65 m where smoke venting is required as a condition for permitting distances of travel to exits in excess of the maximum otherwise allowed.

**6.7.2.2** The following shall apply to special purpose industrial occupancies:

- a) Exits need be provided only for the persons actually employed; spaces not subject to human occupancy because of the presence of machinery or equipment may be excluded from consideration.
- b) Where unprotected vertical openings are necessary to manufacturing operations, these may be permitted beyond the limits specified for industrial occupancy, provided every floor level has direct access to one or more enclosed stairways or other exits protected against obstruction by any fire in the open areas connected by the unprotected vertical openings or smoke therefrom.

**6.7.2.3** The following shall apply to high hazard industrial occupancies:

- a) From every point in every floor area, there shall be at least two exits accessible in different directions; where floor areas are divided into rooms, there shall be at least two ways of escape from every room, however small rooms, except toilet rooms, so located that the points of access thereto are out of or suitably shielded from areas of high hazard.
- b) In addition to types of exits for upper floors specified for Group G occupancies, slide

escapes may be used as required exits for both new and existing buildings.

NOTE — All high hazard industrial occupancies shall have automatic sprinkler protection or such other protection as may be appropriate to the particular hazard, including explosion venting for any area subject to explosion hazard, designed to minimise danger to occupants in case of fire or other emergency before they have time to utilize exits to escape.

### 6.7.3 Additional Precautions

- a) In any room in which volatile flammable substances are used or stored, no device generating a glow or flame capable of igniting flammable vapour shall be installed or used, such a room shall be provided with a suitably designed exhaust ventilation system (see Annex M).
- b) For detailed information on fire safety of certain individual (specific) industrial occupancies, reference may be made to good practice [4(28)].
- c) Fire protection considerations for venting industrial occupancies shall be as in Annex M.

## 6.8 Storage Buildings (Group H)

### 6.8.1 Life Safety

**6.8.1.1** Every area used for the storage of hazardous commodities shall have an exit within 22.5 m of any point in the area where persons may be present or 35 m where automatic sprinkler protection is provided.

**6.8.1.2** Every storage area or space exceeding 1 400 m<sup>2</sup> gross area, or where more than 10 persons may be normally present shall have at least two exit access doors leading to the corridors in exit access, which can be readily opened. This shall not be subject to locking so long as any persons are inside and shall not depend on power operation. Exits in such cases shall be as remote from each other as practicable.

For warehouses, natural draft smoke venting shall utilize roof vents or vents in walls at or near the ceiling level; such vents shall be normally open, or, if closed, shall be designed for automatic opening in case of fire, by release of smoke sensitive devices.

**6.8.1.3** The following special provisions shall apply to aircraft hangers:

- a) Exits from aircraft hangers (storage or servicing areas) shall be provided at intervals of not more than 45 m on all exterior walls of aircraft hangers. There shall be a minimum of two exits serving each aircraft storage or servicing areas. Horizontal exits through interior fire walls shall be provided at intervals of not more than 30 m. 'Dwarf' or 'smash'



doors accommodating aircraft may be used to comply with these requirements. All doors designated as exits shall be kept unlocked in the direction of exit travel while the area is occupied.

- b) Exits from mezzanine floors in aircraft storage or servicing areas shall be so arranged that the maximum travel to reach the nearest exits from any point on the mezzanine shall not exceed 22.5 m. Such exits shall lead directly to a properly enclosed stairwell discharging directly to the exterior or to a suitably cut-off area or to outside fire escape stairs.

**6.8.1.4** The following special provisions shall apply to grain elevators:

- a) There shall be at least one stair tower from basement to first floor and from the first floor to the top floor of workhouse which is enclosed in a dust tight non-combustible shaft.
- b) Non-combustible doors of self-closing type shall be provided at each floor landing.
- c) An exterior fire escape of the stair or basket ladder type shall be provided from the roof of the workshop to ground level or the roof of an adjoining annexe with access from all floors above the first.
- d) An exterior fire escape of either the stair or basket ladder type shall be provided from the roof of each storage annexe to ground level.

**6.8.1.5** For provisions relating to car parking facilities, see Annex H.

**6.8.2 Additional Precautions**

Requirements specified in **6.7.3** (a) shall apply to Group H occupancies also.

**6.9 Hazardous Uses (Group J)**

**6.9.1 Life Safety**

Requirements specified in **6.7.2.3** shall apply to Group J occupancies also.

**6.9.2 Additional Precautions**

The following requirements shall apply to all Group J occupancies, as applicable:

- a) Hazardous buildings shall have vapour/flame/

ember/spark detectors and explosion suppression systems depending on the type of fire hazard involved.

- b) Each building where gas is employed for any purpose shall be provided with an approved outside gas shut-off valve conspicuously marked. The detailed requirements regarding safe use of gas shall be as specified in Part 9 'Plumbing Services, Section 4 Gas Supply' of the Code.
- c) Each boiler room or room containing a heating plant shall be separated from the rest of the building by a separating wall.
- d) In any room in which volatile flammable substances are used or stored, no device generating a spark, or glow flame capable of igniting flammable vapour shall be installed or permitted unless it is enclosed in a flameproof enclosure.
- e) The use, handling, storage and sale of gasoline, fuel oil and other flammable liquids shall not be permitted in Group J occupancies unless such use, handling, storage and sale is in accordance with appropriate legislation in force.
- f) All openings in exterior walls except wall vents shall be protected by a fire stop assembly as in **4** and they shall be fixed, automatic or self-closing. Wall vents having an area of not less than 100 cm<sup>2</sup> each shall be placed in the exterior walls near the floor line, not more than 1 800 mm apart horizontally. Each building shall be provided with a power driven fan exhaust system of ventilation which shall be arranged and operated so as to produce a complete change of air in each room every 3 min.
- g) Each machine in dry-cleaning establishments which uses flammable liquid shall have an adequate steam line or any other suitable extinguishing agent directly connected to it, so arranged as to have the agent automatically released to the inside of each machine should an explosion occur in the machine.
- h) Equipment or machinery which generates or emits combustible or explosive dust or fibres shall be provided with an adequate dust collecting and exhaust system.

**ANNEX A**  
(Clause 3.1.8)

**CALORIFIC VALUES OF COMMON MATERIALS**

**A-1** The calorific values of some common materials are given in Table 9 for guidance.

<b>Table 9 Calorific Values of Common Materials</b> (Clause A-1)				<b>Table 9 — (Concluded)</b>			
<b>Sl No.</b>	<b>Material</b>	<b>Calorific Value</b> ( $\times 10^3$ kJ/kg) <sup>1)</sup>	<b>Wood Equivalent</b> (kg/kg)	(1)	(2)	(3)	(4)
(1)	(2)	(3)	(4)				
i)	Solid Fuels			v)	Common Solids		
	a) Anthracite	28.6	1.66		a) Asphalt	38.3	2.13
	b) Bituminous coal	30.8	1.75		b) Bitumen	33.4	1.90
	c) Charcoal	28.4	1.61		c) Carbon	32.1	1.83
	d) Coke (average)	27.5	1.56		d) Cotton (dry)	15.8	0.90
	e) Peat	20.9	1.19		e) Flax	14.3	0.81
	f) Sub-bituminous coal	22.0	1.25		f) Furs and skins	18.7	1.06
	g) Woods (hard or softwood)	17.6	1.00		g) Hair (animal)	20.9	1.19
ii)	Hydrocarbons				h) Leather	17.6	1.00
	a) Benzene	39.6	2.25		j) Ozokerite (wax)	43.3	2.46
	b) Butane	47.1	2.68		k) Paper (average)	15.4	0.88
	c) Ethane	49.1	2.79		m) Paraffin wax	40.9	2.33
	d) Ethylene	47.7	2.71		n) Pitch	33.0	1.88
	e) Fuel oil	41.6	2.36		p) Rubber	37.4	2.13
	f) Gas oil	42.9	2.44		q) Straw	13.2	0.75
	g) Hexane	44.9	2.55		r) Tallows	37.6	2.14
	h) Methane (natural gas)	52.8	3.00		s) Tan bark	20.9	1.19
	j) Octane	45.3	2.58		t) Tar (bituminous)	35.2	2.00
	k) Paraffin	39.6-44.0	2.3-2.5		u) Wool (raw)	21.6	1.23
	m) Pentane	46.0	2.61		w) Wool (scoured)	19.6	1.11
	n) Propane	47.3	2.69	vi)	Foodstuffs		
	p) Propylene	46.2	2.63		a) Barley	14.1	0.80
iii)	Alcohols				b) Bran	11.0	0.63
	a) Ethyl alcohol	28.4	1.61		c) Bread	9.9	0.56
	b) Methyl alcohol	21.1	1.20		d) Butter	29.5	1.68
	c) Propyl alcohol	31.9	1.81		e) Cheese (cheddar)	18.1	1.03
iv)	Polymers				f) Corn meal	14.1	0.80
	a) Casein	23.1	1.31		g) Flour	14.1	0.80
	b) Cellulose	16.5	0.94		h) Margarine	29.5	1.68
	c) Cellulose acetate	17.8	1.01		j) Oatmeal	15.8	0.90
	d) Polyethylene	48.4	2.75		k) Rice	13.9	0.79
	e) Polypropylene	48.4	2.75		m) Soya been flour	16.1	0.91
	f) Polystyrene	41.8	2.38		n) Sugar	15.4	0.88
	g) Polyvinylchloride	20.9	1.19		p) Whole wheat	14.3	0.81
	h) Polymethyl methacrylate	24.6	1.40	vii)	Miscellaneous		
	j) Polyurethane	35.2	2.00		a) Acetone	29.7	1.69
	k) Polyamide (nylon)	22.0	1.25		b) Acetaldehyde	25.1	1.43
	m) Polyester	22.0	1.25		c) Formaldehyde	17.6	1.00
					d) Hydrogen	134.2	7.63
					e) Magnesium	24.0	1.36

<sup>1)</sup> 1 kJ is approximately equal to 1 Btu so the figures in the tables are also equivalent to Btu/kg.

**ANNEX B**  
(Clause 3.1.8)

**BROAD CLASSIFICATION OF INDUSTRIAL OCCUPANCIES INTO DIFFERENT DEGREE OF HAZARD**

Light Hazard	Moderate Hazard	High Hazard
Abrasive Manufacturing Premises	Aluminium Factories	<b>SUB-CATEGORY (A)</b>
Aerated Water Factories	Atta and Cereal Grinding	Aircraft Hangers
Agarbatti Manufacturing	Bakeries and Biscuit Factories	Aluminium/Magnesium Powder Plants
Areca Nut Slicing and/or Betel nut Factories	Beedi Factories	Bituminised Paper and/or Hessian Cloth/Tar Felt Manufacturing
Analytical and/or Quality Control Laboratories	Bobbin Factories	Cotton Waste Factories
Asbestos Steam Packing and Lagging Manufacturing	Bookbinders, Envelopes and Paper Bag Manufacturing	Celluloid Goods Manufacturing
Battery Charging/Battery Service Stations	Cable Manufacturing	Chemical Manufacturing using raw materials having flash points below 23°C
Battery Manufacturing	Camphor Boiling	Cigarette Filter Manufacturing
Breweries	Candle Works	Cinema Films and T.V. Production Studios
Brick Works	Carbon Paper/Typewriter Ribbon Manufacturing	Coal and/or Coke and/or Charcoal Ball and Briquettes Manufacturing
Canning Factories	Cardboard Box Manufacturing	Collieries
Cardamom Factories	Carpenters, Wood Wool and Furniture Manufacturing	Cotton Seed Cleaning or De-linting Factories.
Cement Factories and/or Asbestos or Concrete Products Manufacturing	Carpet and Durries Factories	Distilleries
Ceramic Factories and	Cashewnut Factories	Duplicating/Stencil Paper Manufacturing
Crockery and Stoneware Pipe Manufacturing	Chemical Manufacturing using raw materials having flash points above 23°C	Fire-works Manufacturing.
Clay Works	Cigar and Cigarette Factories	Foam Plastics Manufacturing and/or Converting Plants.
Clock and Watch Manufacturing	Coir Factories	Godowns and Warehouses (Storing Combustible/Flammable Goods).
Coffee Curing Roasting and Grinding Premises	Coir Carpets, Rugs, Tobacco, Hides and Skin Presses	Grass, Hay, Fodder and <i>Bhoosa</i> (chaff) Pressing Factories
Condensed Milk Factories, Milk Pasteurising Plant and Dairies	Cold Storage Premises	Industrial Gas Manufacturing (Other than Inert/Halogenated Hydrocarbon Gases)
Confectionery Manufacturing	Cork Products Manufacturing	Jute Mills and Jute Presses
Electric Generating Houses (Hydro electric)	Dry Cleaning, Dyeing and Laundries.	Linoleum Factories
Electric Lamps (Incandescent and Fluorescent) and TV Picture Tube Manufacturing	Electric Substations/Distribution Stations	LPG Bottling Plants (Mini)
Electro Plating Works	Electric Generating Stations (Other than Underground Power houses)	Man Made Fibres (Acrylic Fibres/yarn Manufacturing )
Engineering Workshops	Enamelware Factories	Match Factories
	Filter and Wax Paper Manufacturing	
	Flour Mills	

Light Hazard	Moderate Hazard	High Hazard
Fruits and Vegetables Dehydrating and Drying Factories	Garages	Mattress and Pillow Making
Fruit Products and Condiment Factories	Garment Makers	Metal or Tin Printers (where more than 50 Percent of floor area is occupied as Engineering Workshop; this may be taken as ordinary hazard risk)
Glass and Glass Fibre Manufacturing	Ghee Factories (Other than Vegetable)	Oil Mills
Godowns and Warehouses Storing Non-combustible Goods only	Godowns and Warehouses (Other than those Under Light and High Hazard A Categories)	Oil Extraction Plants
Green Houses	Grain and/or Seeds Disintegrating and/or Crushing Factories	Oil Terminals/Depots handling flammable Liquids having flash point of 23° C and Below
Gold Thread/Gilding Factories	Grease Manufacturing	Paints and Varnish Factories
Gum and/or Glue and Gelatine Manufacturing	Hosiery, Lace, Embroidery and Thread Factories	Paper and Cardboard Mills having raw material yards
Ice, Ice Candy and Ice-cream Manufacturing	Incandescent Gas Mantle Manufacturing	Piers, Wharves and Jetties – Handling Extra Hazardous Materials
Ink (Excluding Printing Ink) Factories	Industrial Gas Manufacturing (Inert/Halogenated hydrocarbon gases)	Printing Ink Manufacturing.
Mica Products Manufacturing	Man-made Yarn/Fibre Manufacturing (Other than Acrylic Fibres/Yarn Manufacturing )	Rosin Lamp-Black and Turpentine Factories
Pottery Works	Manure and Fertilizer Works (Blending, Mixing and granulating)	Saw Mills
Poultry Farms	Mineral Oil Blending and Processing	Sponge Iron Steel Plants (Gas Based)
Salt Crushing Factories and Refineries	Oil and Leather Cloth Factories	Surgical Cotton Manufacturing
Stables	Oil Terminals/Depots Other than those Categorized under High Hazard A	Tarpaulin and Canvas Proofing Factories
Sugar Candy Manufacturing	Open storage of Flammable Liquids in Drums, Cans, etc	Turpentine and Rosin Distilleries
Sugar Factories and Refineries	Oxygen Plants	Tyre Retreading and Resoling Factories
Tanneries/Leather Goods Manufacturers	Paper and Cardboard Mills. without Raw Material Yards	<b>SUB-CATEGORY (B)</b>
Umbrella Assembling Factories	Piers, Wharves, Jetties and Dockyards other than those Categorized Under High Hazard A	Ammonia and Urea Synthesis Plants
Vermicelli Factories	Plastic Goods Manufacturing	CNG Compressing and Bottling Plants
Water Treatment/Filtration Plants and Water Pump Houses	Plywood/Wood Veneering Factories	Coal Based Methane Plants
Zinc/Copper Factories	Printing Press Premises	Explosive Factories
		NOTE — In case of complexes having separate plants having varying degrees of hazard, authority having jurisdiction shall be consulted to decide on level of protection to be provided.

<b>Light Hazard</b>	<b>Moderate Hazard</b>	<b>High Hazard</b>
	Pulverising and Crushing Mills Rice Mills Rope Works Rubber Goods Manufacturing Rubber Tyres and Tubes Manufacturing Shellac Factories Silk Filiatures Soaps and Glycerine Factories Spray Painting Starch Factories Tea Factories Textile Mills Tobacco (Chewing) and Pan-Masala Making Tobacco Grinding and Crushing Tobacco Redrying Factories Woollen Mills	

NOTE — Any occupancy that is not covered in this annex shall be classified in the most appropriate class which resembles the proposed occupancy.



**ANNEX C**  
*(Clauses 3.3.2 and 3.3.3)*  
**AVAILABLE DATA REGARDING FIRE RESISTANCE RATING**  
**OF VARIOUS BUILDING COMPONENTS**

**Table 10 Masonry Walls: Solid (Required to Resist Fire from One Side at a Time)**  
*(Clause C-1)*

Sl No.	Nature of Construction and Materials	Minimum Thickness (mm), Excluding any Finish for a Fire Resistance (min) of										
		Load Bearing					Non-load Bearing					
		60	90	120	180	240	60	90	120	180	240	
(1)	(2)	(3)	(4)	(5)	(6)	(7)	(8)	(9)	(10)	(11)	(12)	
i)	Reinforced cement concrete <sup>1)</sup>	120 (25) <sup>2)</sup>	140 (25) <sup>2)</sup>	160 (25) <sup>2)</sup>	200 (25) <sup>2)</sup>	240 (25) <sup>2)</sup>	—	—	—	—	—	—
ii)	Unreinforced cement concrete	150	175	—	—	—	—	—	—	—	—	—
iii)	No-fines concrete with:											
	a) 13 mm cement/sand or gypsum/sand	—	—	—	—	—	150	150	150	150	150	150
	b) 13 mm light weight aggregate gypsum plaster	—	—	—	—	—	150	150	150	150	150	150
iv)	Bricks of clay:											
	a) Without finish	90	100	100	170	170	75	90	100	170	170	170
	b) With 13 mm lightweight aggregate gypsum plaster	90	90	90	100	100	75	90	90	90	90	100
v)	Bricks of sand lime:											
	a) Without finish	90	100	100	190	190	75	90	100	170	170	170
	b) With 13 mm lightweight aggregate gypsum plaster	90	90	90	100	100	75	90	90	90	90	100
vi)	Blocks of concrete:											
	a) Without finish	90	100	100	—	—	75	90	100	140	150	150
	b) With 13 mm lightweight aggregate gypsum plaster	90	90	90	100	100	75	75	75	90	100	100
	c) With 13 mm cement/sand or gypsum/sand	—	—	—	—	—	75	90	90	100	140	140
vii)	Blocks of lightweight concrete:											
	a) Without finish	90	100	100	140	150	75	75	75	125	140	140
	b) With 13 mm lightweight aggregate gypsum plaster	90	90	90	100	100	50	63	75	75	75	75
	c) With 13 mm cement/sand or gypsum/sand	—	—	—	—	—	75	75	75	90	100	100
viii)	Blocks of aerated concrete:											
	a) Without finish	90	100	100	140	180	50	63	63	75	100	100
	b) With 13 mm lightweight aggregate gypsum plaster	90	90	100	100	150	—	—	—	—	—	—

<sup>1)</sup> Walls containing at least 1 percent of vertical reinforcement.

<sup>2)</sup> Minimum thickness of actual cover to reinforcement.

**Table 11 Masonry Walls: Hollow (Required to Resist Fire from One Side at a Time)**  
(Clause C-1)

Sl No.	Nature of Construction and Materials	Minimum Thickness (mm), Excluding any Finish for a Fire Resistance (Min) of											
		Load Bearing					Non-load Bearing						
		60	90	120	180	240	30	60	90	120	180	240	
(1)	(2)	(3)	(4)	(5)	(6)	(7)	(8)	(9)	(10)	(11)	(12)	(13)	
i)	Bricks of clay:												
	a) Without finish	170	170	170	200	200	75	75	90	100	170	170	
	b) With 13 mm lightweight aggregate gypsum plaster	100	100	170	170	170	75	75	90	90	90	100	
ii)	Blocks of concrete:												
	a) Without finish	—	—	—	—	—	90	125	125	140	140	150	
	b) With 13 mm cement/sand or gypsum/sand	—	—	—	—	—	90	125	125	140	140	140	
	c) With 13 mm lightweight aggregate gypsum plaster	190	200	200	—	—	75	90	90	100	125	125	
iii)	Blocks of lightweight concrete:												
	a) Without finish	100	100	100	—	—	75	90	90	100	140	150	
	b) With 13 mm cement/sand or gypsum/sand	—	—	—	—	—	75	75	75	100	140	140	
	c) With 13 mm lightweight aggregate gypsum plaster	—	—	—	—	—	63	63	63	75	90	100	

**Table 12 Framed Construction, Load Bearing (Required to Resist Fire from One Side at a Time)**  
(Clause C-1)

Sl No.	Nature of Construction and Materials/Timber Studs at Centres not Exceeding 600 mm, Faced on Each Side with	Minimum Thickness (mm) of Protection for a Fire Resistance of 60 min
(1)	(2)	(3)
i)	Plasterboard layers with joints staggered, joints in outer layer taped and filled – Total thickness for each face	25
ii)	One layer of 12.7 mm plasterboard with a finish of lightweight aggregate gypsum plaster	13
iii)	Metal lath and plaster, thickness of plaster:	
	a) Sanded gypsum plaster (metal lathing grade)	22
	b) Lightweight aggregate gypsum plaster	13

**Table 13 Framed Construction, Non-Load Bearing (Required to Resist Fire from One Side at a Time)**  
(Clause C-1)

Sl No.	Nature of Construction and Materials/Steel or Timber Frame at Centres not Exceeding 600 mm, Facings on Both Sides of	Stud Construction	Minimum Thickness (mm) of Protection for a Fire Resistance of			
			30 min	60 min	90 min	120 min
(1)	(2)	(3)	(4)	(5)	(6)	(7)
i)	Dry lining with materials fixed direct to studs, without plaster finish:					
a)	One layer of plasterboard with taped and filled joints	Timber or steel	12.7	—	—	—
b)	Two layers of plasterboard with joints staggered, joints in outer layer taped and filled – Total thickness for each face	Timber or steel	19	25	—	—
c)	One layer of asbestos insulating board with transverse joints backed by fillers of asbestos insulating board not less than 9 mm thick, or by timber	Timber or steel	9	12	—	—
d)	One layer of wood wool slabs	Timber	25	—	—	—
e)	One layer of chipboard or of plywood	Timber or steel	18	—	—	—
ii)	Lining with materials fixed direct to studs, with plaster finish:					
a)	Plasterboard of thickness:					
1)	With not less than 5 mm gypsum plaster finish	Timber or steel	9.5	—	—	—
2)	With not less than 13 mm gypsum plaster finish	Timber or steel	—	12.7	—	—
iii)	Wet finish:					
a)	Metal lath and plaster, thickness of plaster:					
1)	Sanded gypsum plaster	Timber or steel	13	—	—	—
2)	Lightweight aggregate gypsum plaster	Timber Steel	— —	13 13	19 —	25 —

**Table 14 Framed External Walls Load Bearing**  
(Required to Resist Fire from One Side at a Time)  
(Clause C-1)

Sl No.	Nature of Construction and Materials	Minimum Thickness (mm) of Protection for a Fire Resistance of 60 min
(1)	(2)	(3)
i)	Timber studs at centres not exceeding 600 mm with internal linings of: Plasterboard layers with joints in outer layer taped and filled, total thickness of plasterboard	31

**Table 15 Framed External Walls Non-Load Bearing  
[Required to Resist Fire from Inside the Building (A)]  
(Clause C-1)**

Sl No.	Nature of Construction and Materials	Minimum Thickness (mm) of Protection for a Fire Resistance of					
		30 min	60 min	90 min	120 min	180 min	240 min
(1)	(2)	(3)	(4)	(5)	(6)	(7)	(8)
i)	Steel frame with an external cladding of non-combustible sheets (excluding sheet steel), with a steel supporting framework and internal lining of:						
	a) Metal lath and plaster, thickness of plaster:						
	1) Sanded gypsum plaster (metal lathing grade)	13	13	—	—	—	—
	2) Lightweight aggregate gypsum plaster	10	13	15	15	15	19
	b) Two layer of plasterboard with joints staggered joints in outer layer taped and filled – Total thickness	21	32	—	—	—	—
	c) Plasterboard of thickness:						
	1) With not less than 5 mm gypsum plaster finish	12.7	—	—	—	—	—
	2) With not less than 13 mm gypsum plaster finish	9.5	—	—	—	—	—
	3) With not less than 10 mm lightweight aggregate gypsum plaster	9.5	—	—	—	—	—
	d) One layer of asbestos insulating board with transverse joints backed by fillers of asbestos insulating board not less than 9 mm thick, or by timber	9	9	12	12	12	12
	e) One layer of wood/wool slabs without finish	—	50	—	—	—	—
	f) One layer of compressed straw building slabs:						
	1) Without finish	50	—	—	—	—	—
	2) With not less than 5 mm gypsum plaster finish	—	50	—	—	—	—
	g) Aerated concrete blocks	50	50	63	63	75	100
	h) Bricks of clay:						
	1) Without finish	75	75	90	90	100	100
	2) With not less than 13 mm lightweight aggregate gypsum plaster	—	—	75	75	90	90

**Table 16 Framed External Walls Non-Load Bearing  
[Required to Resist Fire from Inside the Building (B)]  
(Clause C-1)**

Sl No.	Nature of Construction and Materials	Minimum Thickness (mm) of Protection to provide Sufficient Insulation to Achieve a Modified Fire Resistance of Up to 240 min
(1)	(2)	(3)
i)	Steel frame with an external cladding of sheet steel fully lapped, steel bolted and fixed to steel sheeting rails, with timber or steel supporting framework and internal lining of:	
	a) Metal lath and plaster, thickness of plaster:	
	1) Sanded gypsum plaster (metal lathing grade)	13
	2) Lightweight aggregate gypsum plaster	10
	b) One layer of plasterboard with joints taped and filled	12.7
	c) Plasterboard of thickness with not less than 5 mm gypsum plaster finish	9.5
	d) One layer of asbestos insulating board with transverse joints backed by fillers of asbestos insulating board not less than 9 mm thick, or by timber	9
	e) One layer of wood/wool slabs	25
	f) One layer of compressed straw building slabs	50
	g) One layer of chipboard or of plywood	18
	h) Aerated concrete blocks	50
	j) Bricks of clay	75
	k) Any internal decorative lining with a cavity fill independently supported and retained in position of mineral fibre insulating material (excluding glass) at a density of 48 kg/m <sup>3</sup>	50



**Table 17 Framed Walls Non-Load Bearing**  
**[Required to Resist Fire from Inside the Building (C)]**  
*(Clause C-1)*

Sl No.	Nature of Construction and Materials	Minimum Thickness (mm) of Protection for a Fire Resistance of 90 min
(1)	(2)	(3)
i)	Timber frame with external cladding of weather boarding or external plywood, 9.5 mm with an internal lining of :	
	a) Plasterboard not less than 9.5 mm thick, finished with:	
	1) Gypsum plaster	13
	2) Lightweight aggregate gypsum plaster	10
	b) Plasterboard not less than 12.7 mm thick, finished with:	
	1) Gypsum plaster	10
	2) Lightweight aggregate gypsum plaster	10
	c) One layer of asbestos insulating board with transverse joints backed by fillers of asbestos insulating board not less than 9 mm thick, or by timber	9 12

**Table 18 Reinforced Concrete Columns**  
*(Clause C-1)*

Sl No.	Nature of Construction and Materials	Minimum Dimensions (mm) Excluding any Finish, for a Fire Resistance of						
		30 min	60 min	90 min	120 min	180 min	240 min	
(1)	(2)	(3)	(4)	(5)	(6)	(7)	(8)	
i)	Fully exposed	a) Width	150	200	250	300	400	450
		b) Cover	40	40	40	40	40	40
ii)	50 percent exposed	a) Width	125	160	200	200	300	350
		b) Cover	40	40	40	40	40	40
iii)	One face exposed	a) Thickness	100	120	140	160	200	240
		b) Cover	40	40	40	40	40	40

**Table 19 Concrete Beams**  
*(Clause C-1)*

Sl No.	Nature of Construction and Materials	Minimum Dimensions (mm) Excluding any Finish, for a Fire Resistance of						
		30 min	60 min	90 min	120 min	180 min	240 min	
(1)	(2)	(3)	(4)	(5)	(6)	(7)	(8)	
i)	Reinforced concrete (simply supported)	a) Width	200	200	200	200	240	280
		b) Cover	20	20	20	40	60 <sup>1)</sup>	70 <sup>1)</sup>
ii)	Reinforced concrete (continuous)	a) Width	200	200	200	200	240	280
		b) Cover	20	20	20	30	40	50 <sup>1)</sup>
iii)	Prestressed concrete (simply supported)	a) Width	100	120	150	200	240	280
		b) Cover	25	40	55 <sup>1)</sup>	70 <sup>1)</sup>	80 <sup>1)</sup>	90 <sup>1)</sup>
iv)	Prestressed concrete (continuous)	a) Width	80	100	120	150	200	240
		b) Cover	20	30	40	55 <sup>1)</sup>	70 <sup>1)</sup>	80 <sup>1)</sup>

<sup>1)</sup> Require attention to the additional measures necessary to reduce the risk of spalling.



**Table 20 Concrete Floors**  
(Clause C-1)

Sl No.	Nature of Construction and Materials		Minimum Dimensions (mm) Excluding any Finish, for a Fire Resistance of					
			30 min	60 min	90 min	120 min	180 min	240 min
(1)	(2)		(3)	(4)	(5)	(6)	(7)	(8)
i)	Reinforced concrete (simply supported)	a) Thickness	75	95	110	125	150	170
		b) Cover	20	20	25	35	45 <sup>1)</sup>	55 <sup>1)</sup>
ii)	Reinforced concrete (continuous)	a) Thickness	75	95	110	125	150	170
		b) Cover	20	20	20	25	35	45 <sup>1)</sup>

<sup>1)</sup> Require attention to the additional measures necessary to reduce the risk of spalling.

**Table 21 Concrete Floors: Ribbed Open Soffit**  
(Clause C-1)

Sl No.	Nature of Construction and Materials		Minimum Dimensions (mm) Excluding any Finish, for a Fire Resistance of					
			30 min	60 min	90 min	120 min	180 min	240 min
(1)	(2)		(3)	(4)	(5)	(6)	(7)	(8)
i)	Reinforced concrete (simply supported)	a) Thickness of floor	75	95	110	125	150	170
		b) Rib width	125	125	125	125	150	175
		c) Cover	20	20	35	45 <sup>1)</sup>	55 <sup>1)</sup>	65 <sup>1)</sup>
ii)	Reinforced concrete (continuous)	a) Thickness of floor	75	95	110	125	150	170
		b) Rib width	125	125	125	125	150	175
		c) Cover	20	20	20	35	45 <sup>1)</sup>	55 <sup>1)</sup>

<sup>1)</sup> Require attention to the additional measures necessary to reduce the risk of spalling.

**Table 22 Encased Steel Columns, 203 mm x 203 mm**  
(Clause C-1)

Sl No.	Nature of Construction and Materials		Minimum Dimensions (mm) Excluding any Finish, for a Fire Resistance of				
			60 min	90 min	120 min	180 min	240 min
(1)	(2)		(3)	(4)	(5)	(6)	(7)
i)	Hollow protection (without an air cavity over the flanges):	a) Metal lathing with trowelled lightweight aggregate gypsum plaster <sup>1)</sup>	13	15	20	32	—
		b) Plasterboard with 1.6 mm wire binding at 100 mm pitch, finished with lightweight aggregate gypsum plaster not less than the thickness specified:					
		1) 9.5 mm plaster board	10	15	—	—	—
		2) 19 mm plaster board	10	13	20	—	—
c)	Asbestos insulating boards, thickness of board:	1) Single thickness of board, with 6 mm cover fillets at transverse joints	—	19	25	—	—
		2) Two layers, of total thickness	—	—	—	38	50
d)	Solid bricks of clay, composition or sand lime, reinforced in every horizontal joint, unplastered		50	50	50	75	100
e)	Aerated concrete blocks		60	60	60	—	—
f)	Solid blocks of lightweight concrete		50	50	50	60	75
	Hollow protection (with an air cavity over the flanges)						

**Table 22 — (Concluded)**

(1)	(2)	(3)	(4)	(5)	(6)	(7)
ii)	Asbestos insulating board screwed to 25 mm asbestos battens	12	19	—	—	—
iii)	Solid protections:					
a)	Concrete, not leaner than 1:2:4 mix (unplastered):					
1)	Concrete not assumed to be load bearing, reinforced <sup>2)</sup>	25	25	25	50	75
2)	Concrete assumed to be load bearing	50	50	50	75	75
b)	Lightweight concrete, not leaner than 1:2:4 mix (unplastered): concrete not assumed to be load bearing, reinforced <sup>2)</sup>	25	25	25	40	60

<sup>1)</sup> So fixed or designed, as to allow full penetration for mechanical bond.  
<sup>2)</sup> Reinforcement shall consist of steel binding wire not less than 2.3 mm in thickness, or a steel mesh weighing not less than 0.5 kg/m<sup>2</sup>. In concrete protection, the spacing of that reinforcement shall not exceed 200 mm in any direction.

**Table 23 Encased Steel Beams, 406 mm × 176 mm  
(Protection Applied on Three Sides)  
(Clause C-1)**

Sl No.	Nature of Construction and Materials	Minimum Thickness (mm) of Protection for a Fire Resistance of					
		30 min	60 min	90 min	120 min	180 min	240 min
(1)	(2)	(3)	(4)	(5)	(6)	(7)	(8)
i)	Hollow protection (without an air cavity beneath the lower flange):						
a)	Metal lathing with trowelled lightweight aggregate gypsum plaster <sup>1)</sup>	13	13	15	20	25	—
b)	Plasterboard with 1.6 mm wire binding <sup>2)</sup> at 100 mm pitch, finished with lightweight aggregate gypsum plaster not less than the thickness specified:						
1)	9.5 mm plaster board	10	10	15	—	—	—
2)	19 mm plaster board	10	10	13	20	—	—
c)	Asbestos insulating boards, thickness of board :						
1)	Single thickness of board, with 6 mm cover fillets at transverse joints	—	—	19	25	—	—
2)	Two layers, of total thickness	—	—	—	—	38	50
ii)	Hollow protection (with an air cavity below the lower flange):						
a)	Asbestos insulating board screwed to 25 mm asbestos battens	9	12	—	—	—	—
iii)	Solid protection :						
a)	Concrete, not leaner than 1:2:4 mix (unplastered):						
1)	Concrete not assumed to be load bearing, reinforced <sup>3)</sup>	25	25	25	25	50	75
2)	Concrete assumed to be load bearing	50	50	50	50	75	75
b)	Lightweight concrete <sup>4)</sup> , not leaner than 1:2:4 (mix) unplastered	25	25	25	25	40	60

<sup>1)</sup> So fixed or designed, as to allow full penetration for mechanical bond.  
<sup>2)</sup> Where wire binding cannot be used, expert advice should be sought regarding alternative methods of support to enable the lower edges of the plasterboard to be fixed together and to the lower flange, and for the top edge of the plasterboard to be held in position.  
<sup>3)</sup> Reinforcement shall consist of steel binding wire not less than 2.3 mm in thickness or a steel mesh weighing not less than 0.5 kg/m<sup>2</sup>. In concrete protection, the spacing of that reinforcement shall not exceed 200 mm in any direction.  
<sup>4)</sup> Concrete not assumed to be load bearing, reinforced.

**Table 24 Timber Floors – Tongued and Grooved Boarding, or Sheets of Tongued and Grooved Plywood or Wood Chipboard, of not Less than 21 mm Finished Thickness**  
(Clause C-1)

Sl No.	Nature of Construction and Materials	Minimum Thickness (mm) of Protection, for a Fire Resistance of		
		30 min	60 min	120 min
(1)	(2)	(3)	(4)	(5)
i)	37 mm (minimum) timber joists with a ceiling of:			
a)	Timber lathing and plaster, plaster of thickness	15	—	—
b)	Metal lathing and plaster, thickness of plaster:			
1)	Sanded gypsum plaster (metal lathing grade)	15	—	—
2)	Lightweight aggregate gypsum plaster	13	13	25
c)	One layer of plasterboard with taped and filled joints	12.7	—	—
d)	Two layers of plasterboard with joints staggered, joints in outer layer taped and filled total thickness	19	31	—
e)	One layer of plasterboard not less than 9.5 mm thick, finished with:			
1)	Gypsum plaster	5	—	—
2)	Sanded gypsum plaster	13	—	—
3)	Lightweight aggregate gypsum plaster	13	—	—
f)	One layer of plasterboard not less than 12.7 mm thick, finished with:			
1)	Gypsum plaster	5	—	—
2)	Lightweight aggregate gypsum plaster	10	—	—
g)	One layer of asbestos insulating board with any transverse joints backed by fillets of asbestos insulating board not less than 9 mm thick, or by timber	9	12	—

**Table 25 Timber Floors – Tongued and Grooved Boarding, or Sheets of Tongued and Grooved Plywood or Wood Chipboard, of not Less than 15 mm Finished Thickness**  
(Clause C-1)

Sl No.	Nature of Construction and Materials	Minimum Thickness (mm) of Protection for a Fire Resistance of		
		30 min	60 min	120 min
(1)	(2)	(3)	(4)	(5)
i)	37 mm (minimum) timber joists with a ceiling of:			
a)	Timber lathing and plaster, plaster of thickness	15	—	—
b)	Metal lathing and plaster, thickness of plaster for:			
1)	Sanded gypsum plaster (metal lathing grade)	15	—	—
2)	Lightweight aggregate gypsum plaster	13	13	25
c)	One layer of plasterboard with taped and filled joints	12.7	—	—
d)	Two layers of plasterboard with joints staggered, joints in outer layer taped and filled total thickness	22	31	—
e)	One layer of plasterboard not less than 9.5 mm thick, finish with:			
1)	Gypsum plaster	5	—	—
2)	Sanded gypsum plaster	15	—	—
3)	Lightweight aggregate gypsum plaster	13	—	—
f)	One layer of plasterboard not less than 12.7 mm thick, finished with:			
1)	Gypsum plaster	5	—	—
2)	Lightweight aggregate gypsum plaster	10	—	—
g)	One layer of asbestos insulating board, with any transverse joints backed by fillets of asbestos insulating board not less than 9 mm thick, or by timber	9	12 <sup>1)</sup>	—

<sup>1)</sup> Finished on top with 25 mm minimum thick glass fibre or mineral wool laid between joints.

**Table 26 Timber Floors – Any Structurally Suitable Flooring of  
Timber or Lignocelluloses Boards  
(Clause C-1)**

SI No.	Nature of Construction and Materials	Minimum Thickness (mm) of Protection, for a Fire Resistance of	
		30 min	60 min
(1)	(2)	(3)	(4)
i)	37 mm (minimum) timber joists with a ceiling of:		
a)	Timber lathing and plaster, plaster of thickness	15	—
b)	Metal lathing and plaster, thickness of plaster for :		
	1) Sanded gypsum plaster (metal lathing grade)	15	—
	2) Lightweight aggregate gypsum plaster	13	19
c)	One layer of plasterboard with joints taped and filled and backed by timber	12.7	—
d)	Two layers of plasterboard with joints staggered, joints in outer layer taped and filled total thickness	25	—
e)	Two layers of plasterboard, each not less than 9.5 mm thick, joints between boards staggered and outer layer finished with gypsum plaster	5	—
f)	One layer of plasterboard not less than 9.5 mm thick, finish with :		
	1) Sanded gypsum plaster	13	—
	2) Lightweight aggregate gypsum plaster	15	—
g)	One layer of plasterboard not less than 12.7 mm thick, finished with :		
	1) Sanded gypsum plaster	15	—
	2) Lightweight aggregate gypsum plaster	13	—
h)	One layer of asbestos insulating board with any transverse joints backed by fillets of asbestos insulating board not less than 9 mm thick, or by timber	12	—



## ANNEX D

(Clause 4.11)

### GUIDELINES FOR FIRE DRILL AND EVACUATION PROCEDURES FOR HIGH RISE BUILDINGS

#### D-1 INTRODUCTION

In case of fire in a high rise building, safe evacuation of its occupants may present serious problems unless a plan for orderly and systematic evacuation is prepared in advance and all occupants are well drilled in the operation of such plan. These guidelines are intended to assist them in this task.

#### D-2 ALARMS

Any person discovering fire, heat or smoke shall immediately report such condition to the fire brigade, unless he has personal knowledge that such a report has been made. No person shall make, issue, post or maintain any regulation or order, written or verbal, that would require any person to take any unnecessary delaying action prior to reporting such condition to the fire brigade.

#### D-3 DRILLS

**D-3.1** Fire drills shall be conducted, in accordance with the Fire Safety Plan, at least once every three months for buildings during the first two years. Thereafter, fire drills shall be conducted at least once every six months.

**D-3.2** All occupants of the building shall participate in the fire drill. However, occupants of the building, other than building service employees, are not required to leave the floor or use the exits during the drill.

**D-3.3** A written record of such drills shall be kept on the premises for a three years period and shall be readily available for fire brigade inspection.

#### D-4 SIGNS AND PLANS

##### D-4.1 Signs at Lift Landings

A sign shall be posted and maintained in a conspicuous place on every floor at or near the lift landing in accordance with the requirements, indicating that in case of fire, occupants shall use the stairs unless instructed otherwise. The sign shall contain a diagram showing the location of the stairways except that such diagram may be omitted, provided signs containing such diagram are posted in conspicuous places on the respective floor.

A sign shall read 'IN CASE OF FIRE, USE STAIRS UNLESS INSTRUCTED OTHERWISE'. The lettering shall be at least 12.5 mm block letters in red and white

background. Such lettering shall be properly spaced to provide good legibility. The sign shall be at least 250 mm × 300 mm, where the diagram is also incorporated in it and 62.5 mm × 250 mm where the diagram is omitted. In the latter case, the diagram sign shall be at least 200 mm × 300 mm. The sign shall be located directly above the call-button and squarely attached to the wall or partition. The top of the sign shall not be above 2 m from the floor level.

##### D-4.2 Floor Numbering Signs

A sign shall be posted and maintained within each stair enclosure on every floor, indicating the number of the floor, in accordance with the requirements given below.

The numerals shall be of bold type and at least 75 mm high. The numerals and background shall be in contrasting colours. The sign shall be securely attached to the stair side of the door.

##### D-4.3 Stair and Lifts Identification Signs

Each stairway and each lift bank shall be identified by an alphabetical letter. A sign indicating the letter of identification shall be posted and maintained at each lift landing and on the side of the stairway door from which egress is to be made, in accordance with the requirements given in 4.4.2.4.3.2(h)(9).

##### D-4.4 Stair Re-entry Signs

A sign shall be posted and maintained on each floor within each stairway and on the occupancy side of the stairway where required, indicating whether re-entry is provided into the building and the floor where such re-entry is provided, in accordance with the requirements given below.

The lettering and numerals of the signs shall be at least 12.5 mm high of bold type. The lettering and background shall be of contrasting colours and the signs shall be securely attached approximately 1.5 m above the floor level.

#### D-5 FIRE SAFETY PLAN

**D-5.1** A format for the Fire Safety Plan shall be as given in **D-9.10**.

**D-5.2** The applicable parts of the approved Fire Safety Plan shall be distributed to all tenants of the building by the building management when the Fire Safety Plan has been approved by the Fire Authority.



**D-5.3** The applicable parts of the approved Fire Safety Plan shall then be distributed by the tenants to all their employees and by the building management to all their building employees.

**D-5.4** In the event there are changes from conditions existing at the time the Fire Safety Plan for the building was approved, and the changes are such so as to require amending the Fire Safety Plan, within 30 days after such changes, an amended Fire Safety Plan shall be submitted to the fire brigade for approval.

**D-6 FIRE COMMAND CENTRE**

A Fire Command Centre shall be established in the building (see 3.4.12).

**D-7 COMMUNICATIONS AND FIRE ALARM**

A means of communication and fire alarm for use during fire emergencies shall be provided and maintained by the owner or person in charge of the building.

**D-8 FIRE SAFETY PLAN FORMAT**

**D-8.1 Building Address**

Street and Pin Code Number.....

Telephone Number.....

**D-8.2 Purpose and Objective**

**D-8.2.1 Purpose**

To establish method of systematic, safe and orderly evacuation of an area or building by and of its occupants in case of fire or other emergency, in the least possible time, to a safe area by the nearest safe means of egress; also the use of such available fire appliances (including sounding of alarms) as may have been provided for controlling or extinguishing fire and safeguarding of human life.

**D-8.2.2 Objective**

To provide proper education as a part of continuing employee indoctrination and through a continuing written programme for all occupants, to ensure prompt reporting of fire, the response of fire alarms as designated, and the immediate initiation of fire safety procedures to safeguard life and contain fire until the arrival of the fire brigade.

**D-8.3 Fire Safety Director**

- a) Name
- b) Regularly assigned employment — Title
- c) Regularly assigned location
- d) How is he notified when at regular location?
- e) How is he notified when not at regular location?

- f) Normal working hours
- g) Duties of Fire Safety Director (see D-9.1)

**D-8.4 Deputy Fire Safety Director**

- a) Name
- b) Regularly assigned employment — Title
- c) Regularly assigned location
- d) How is he notified when at regular location?
- e) How is he notified when not at regular location?
- f) Normal working hours
- g) Duties of Deputy Fire Safety Director (see D-9.2)

**D-8.5 Fire Wardens and Deputy Fire Wardens**

- a) Are their names on organization charts for each floor and/or tenancy?
- b) Submit typical completed organization chart for Fire Drill and Evacuation Assignment.
- c) Duties of Fire Wardens and Deputy Fire Wardens (see D-9.3).

**D-8.6 Building Evacuation Supervisor**

- a) Name
- b) Regularly assigned employment — Title
- c) Regularly assigned location
- d) How is he notified when at regular location ?
- e) How is he notified when not at regular location?
- f) Normal working hours
- g) Duties of Building Evacuation Supervisor (see D-9.4).

**D-8.7 Fire Party**

- a) Submit a completed organization chart for Fire Parties naming person in charge, and his title in the building.
- b) Indicate standards of selection from building employees based on background and availability.
- c) How are they notified?
- d) How are they notified when they are not at their regular locations?
- e) Means of responding
- f) Duties of each member of Fire Party (see D-9.5).

**D-8.8 Occupants Instructions**

Distribution of instructions of all tenants, tenants' employees and building employees (see D-9.6).

**D-8.9 Evacuation Drills**

- a) Frequency of drills
- b) How conducted?
- c) Participation? Who participated? How?
- d) Controls and supervision
- e) Recording of details of drills

**D-8.10 Fire Command Station**

- a) Location
- b) Requirements:
  - 1) Adequate illumination
  - 2) Adequate communication to mechanical equipment room and lifts control room on each floor
  - 3) Copy of Fire Safety Plan
  - 4) Copy of Building Information Form
  - 5) Representative floor plans showing location of signs, floor remote station, communications, etc

**D-8.11 Signs**

- a) Signs at lifts landings, Floor diagrams
- b) Floor numbering
- c) Stairway identification
- d) Lifts identification
- e) Stair re-entry

**D-8.12 Fire Prevention and Fire Protection Programme**

See D-9.7.

**D-8.13 Building Information Form**

see D-9.8

**D-8.14 Representative Floor Plan**

See D-9.9

**D-8.15 Fire Safety Plan Prepared by**

See D-9.10

- a) Date when prepared, and
- b) Date when revised

**D-9 DUTIES**

**D-9.1 Fire Safety Director’s Duties**

**D-9.1.1** Be familiar with the written Fire Safety Plan providing for fire drill and evacuation procedure in accordance with orders on the subject.

**D-9.1.2** Select qualified building service employees for a Fire Party and organize, train and supervise such fire brigade.

**D-9.1.3** Be responsible for the availability and state of readiness of the Fire Party.

**D-9.1.4** Conduct fire and evacuation drills.

**D-9.1.5** Be responsible for the designation and training of a Fire Warden for each floor, and sufficient Deputy Fire Wardens for each tenancy in accordance with orders on the subject.

**D-9.1.6** Be responsible for a daily check for the availability of the Fire Wardens, and see that up-to-date organization charts are posted.

NOTE — If the number of Fire Wardens and Deputy Fire Wardens in the building is such that it is impractical to individually contact each one daily, a suggested method to satisfy the requirements is to make provisions for the Fire Warden, or a Deputy Fire Warden in the absence of the Fire Warden, to notify the Fire Safety Director when the Fire Warden or required number of Deputy Fire Wardens are not available. In order to determine the compliance by the Fire Warden and Deputy Fire Wardens, when this method is used, the Fire Safety Director shall make a spot check of several different floors each day.

**D-9.1.7** Notify the owner or some other person having charge of the building when any designated individual is neglecting his responsibilities contained in Fire Safety Plan. The owner or the other person in-charge of the building shall bring the matter to the attention of the firm employing the individual. If the firm fails to correct the condition, the fire department shall be notified by the owner/person in charge of the building.

**D-9.1.8** In the event of fire, shall report to the fire command centre to supervise, provide for and coordinate with respect to the following:

- a) Ensuring that the fire department has been notified of any fire or fire alarm.
- b) Manning of the fire command station.
- c) Direction of evacuating procedures as provided in the Fire Safety Plan.
- d) Report on conditions on fire floor for information of fire department on their arrival.
- e) Advising the fire department officer in-charge in the operation of the Fire Command Centre.

**D-9.1.9** Be responsible for the training and activities of the Building Evacuation Supervisor.

**D-9.2 Deputy Fire Safety Director’s Duties**

- a) He is the subordinate to the Fire Safety Director.
- b) He shall perform duties of Fire Safety Director in his absence.

**D-9.3 Fire Warden’s and Deputy Fire Warden’s Duties**

The tenant or tenants of each floor shall, upon request of the owner or person in charge of buildings, make responsible and dependable employees available for

designation by the Fire Safety Director as Fire Warden and Deputy Fire Wardens.

**D-9.3.1** Each floor of a building shall be under the direction of a designated Fire Warden for the evacuation of occupants in the event of fire. He shall be assisted in his duties by the Deputy Fire Wardens. A Deputy Fire Warden shall be provided for each tenancy. When the floor area of a tenancy exceeds 700 m<sup>2</sup> of occupiable space, a Deputy Fire Warden shall be assigned for each 700 m<sup>2</sup> or part thereof.

**D-9.3.2** Each Fire Warden and Deputy Fire Warden shall be familiar with the fire safety plan, the location of exits and the location and operation of any available fire alarm system.

**D-9.3.3** In the event of fire, or fire alarm the Fire Warden shall ascertain the location of the fire, and direct evacuation of the floor in accordance with directions received and the following guidelines:

- a) The most critical areas for immediate evacuation are the fire floor and floors immediately above. Evacuation from the other floors shall be instituted when instructions from the fire Command Centre or conditions indicate such action. Evacuation shall be *via* uncontaminated stairs. The Fire Warden shall try to avoid stairs being used by the Fire department. If this is not possible, he shall try to attract the attention of the Fire department personnel before such personnel open the door to the fire floor.
- b) Evacuation to two or more levels below the fire floor is generally adequate. He shall keep the fire command station informed regarding his location.
- c) Fire Wardens and their deputies shall see that all occupants are notified of the fire, and that they proceed immediately to execute the Fire Safety Plan.
- d) The Fire Warden on the fire floor shall, as soon as practicable, notify the Fire Command Centre of the particulars.
- e) Fire Wardens on floors above the fire shall, after executing the Fire Safety Plan, notify the Fire command station of the means being used for evacuation and any other particulars.
- f) In the event that stairways serving fire floor and/or floors above are unusable due to contamination or cut-off by fire and/or smoke or that several floors above fire involve large numbers of occupants who must be evacuated, consideration may be given to using lifts in accordance with the following:
  - 1) If the lifts servicing his floor also service the fire floor, they shall not be used. However, lifts may be used if there is

more than one bank of lifts, and he is informed from the Fire Command Centre that one bank is unaffected by the fire.

- 2) If lifts do not service the fire floor and their shafts have no openings on the fire floor, they may be used, unless directed otherwise.
- 3) Lifts manned by trained building personnel or firemen may also be used.
- 4) In the absence of a serviceable lift, the Fire Warden shall select the safest stairway to use for evacuation on the basis of the location of the fire and any information received from the Fire Command Centre. The Fire Warden shall check the environment in the stairs prior to entry for evacuation. If it is affected by smoke, alternative stair shall be selected, and the Fire Command Centre notified.
- 5) The Fire Warden shall keep the Fire Command Centre informed of the means being employed for evacuation by the occupants of his floor.
  - g) Ensure that an alarm has been transmitted.

**D-9.3.4** *Organization Chart for Fire Drill and Evacuation Assignment*

A chart designating employees and their assignments shall be prepared and posted in a conspicuous place in each tenancy and on each floor of a tenancy that occupies more than one floor and a copy shall be in the possession of the Fire Safety Director.

**D-9.3.5** Keep available an updated listing of all personnel with physical disabilities who cannot use stairs unaided. Make arrangements to have these occupants assisted in moving down the stairs to two or more levels below fire floor. If it is necessary to move such occupants to a still lower level during the fire, move them down the stairs to the uppermost floor served by an uninvolved lifts bank and then evacuate them to the street floor by lifts. Where assistance is required for such evacuation, notify Fire Safety Director.

**D-9.3.6** Provide for Fire Warden identification during fire drills and fires, such as using armband, etc.

**D-9.3.7** Ensure that all persons on the floor are notified of fire and all are evacuated to safe areas. A search must be conducted in the lavatories to ensure all are out. Personnel assigned as searchers can promptly and efficiently perform this duty.

**D-9.3.8** Check availability of applicable personnel on organization chart and provide for a substitute when the position on a chart is not covered.

**D-9.3.9** After evacuation, perform a head count to ensure that all regular occupants known to have occupied the floor have been evacuated.

**D-9.3.10** When alarm is received, the Fire Warden shall remain at a selected position in the vicinity of the communication station on the floor, in order to maintain communication with the Fire Command Centre and to receive and give instructions.

**D-9.4 Building Evacuation Supervisor’s Duties**

A Building Evacuation Supervisor is required at all times other than normal working or business hours when there are occupants in the building and there is no Fire Safety Director on duty in the building.

**D-9.4.1** He should be capable of directing the evacuation of the occupants as provided by the Fire Safety Plan.

**D-9.4.2** During fire emergencies, the primary responsibility of the Building Evacuation Supervisor shall be to man the Fire Command Centre, and the direction and execution of the evacuation as provided in the Fire Safety Plan. The Building Evacuation Supervisor’s training and related activities shall be under the direction of the Fire Safety Director in accordance with these rules, and the Fire Safety Plan. Such activities shall be subject to fire department control.

**D-9.5 Fire Party Duties**

On receipt of an alarm for fire, the Fire Party shall,

- a) report to the floor below the fire to assist in evacuation and provide information to the Fire Command Centre.
- b) after evacuations of fire floor, endeavour to control spread of fire by closing doors, etc.
- c) attempt to control the fire until arrival of the fire department, if the fire is small and conditions do not pose a personal threat.
- d) leave one member on the floor below the fire to direct the fire department to the fire location and to inform them of conditions.
- e) on arrival of the fire department, the Fire Party shall report to the Fire Command Centre for additional instructions.
- f) have a member designated as runner, who shall know the location of the nearest telephone, and be instructed in its use. Such member shall immediately upon receipt of information that there is a fire or evidence of fire, go to the telephone, transmit an alarm and await the arrival of the fire department and direct them to the location of the fire.

NOTE — A chart designating employees and their assignments shall be prepared.

**D-9.6 Occupant’s Instructions**

- a) The applicable parts of the approved Fire Safety Plan shall be distributed to all tenants of the building by the building management when the Fire Safety Plan has been approved by the Fire Commissioner.
- b) The applicable parts of the approved Fire Safety Plan shall then be distributed by the tenants to all their employees and by the building management to all their building employees.
- c) All occupants of the building shall participate and cooperate in carrying out the provisions of the Fire Safety Plan.

**D-9.7 Fire Prevention and Fire Protection Programme**

- a) A plan for periodic formal inspections of each floor area, including exit facilities, fire extinguishers and housekeeping shall be developed. A copy of such plan be submitted.
- b) Provision shall be made for the monthly testing of communication and alarm systems.

**D-9.8 Building Information Form**

It shall include the following information:

- a) Building address.....Pin Code.....
- b) Owner or person in-charge of building — Name, Address and Telephone Number.
- c) Fire Safety Director and Deputy Fire Safety Director’s Name and Telephone Number.
- d) Certificate of occupancy. Location where posted, or duplicate attached.
- e) Height, area, class of construction.
- f) Number type and location of fire stairs and/or firefighting shaft.
- g) Number, type and location of horizontal exits or other areas of refuge.
- h) Number, type, location and operation of lifts and escalators.
- j) Interior fire alarms, or alarms to central stations.
- k) Communications systems and/or walkie-talkie, telephones, etc.
- m) Standpipe system; size and location of risers, gravity or pressure tank, fire pump, location of siamese connections, name of employee with certificate of qualification and number of certificate.



- n) Sprinkler system; name of employee with Certificate of Fitness and certificate number. Primary and secondary water supply, fire pump and areas protected.
- p) Special extinguishing system, if any, components and operation.
- q) Average number of persons normally employed in building (Daytime and night time).
- r) Average number of persons with disabilities in building and their location (Daytime and night time).
- s) Number of persons normally visiting the building (Daytime and night time).
- t) Service equipment such as:
  - 1) Electric power, primary, auxiliary;
  - 2) Lighting, normal, emergency, type and location;
  - 3) Heating, type, fuel, location of heating unit;
  - 4) *Ventilation* — with fixed windows, emergency means of exhausting heat and smoke;
  - 5) *Air conditioning systems* — Brief description of the system, including ducts and floors serviced;
  - 6) Refuse storage and disposal;
  - 7) Firefighting equipment and appliances, other than standpipe and sprinkler system; and
  - 8) Other pertinent building equipment.
- u) Alternations and repair operations, if any, and the protective and preventive measures necessary to safeguard such operations with attention to torch operations.
- w) Storage and use of flammable solids, liquids and/or gases.
- y) Special occupancies in the building and the proper protection and maintenance thereof. Places of public assembly, studios, and theatrical occupancies.

**D-9.9 Representative Floor Plan**

A floor plan, representative of the majority or the floor designs of the entire building, shall be at the Command Post, in the main lobby, under the authority of the Fire Safety Director. One copy of a representative floor plan shall be submitted to the Fire department with the Fire Safety Plan.

**D-9.10 Fire Safety Plan**

In planning, evaluate the individual floor layouts, the population of floors, the number and kinds of exits, the zoning of the floor by area and occupants. Determine the movement of traffic by the most expeditious route to an appropriate exit and alternative

route for each zone, since under fire conditions one or more exits may not be usable. This format should be used in the preparation of the Fire Safety Plan. Nothing contained in this Fire Safety Plan format shall be construed as all inclusive. All rules and other requirements shall be fully complied with.

**D-9.11 Personal Fire Instruction Card**

All the occupants of the building shall be given a Personal Fire Instruction Card giving the details of the floor plan and exit routes along with the instruction to be followed in the event of fire. A typical Personal Fire Instruction Card shall be as follows:

PERSONAL FIRE INSTRUCTION CARD

SEAL

NAME OF THE ORGANIZATION

ADDRESS OF THE ORGANIZATION

NAME: \_\_\_\_\_

DESIGNATION: \_\_\_\_\_

FLOOR NO. : \_\_\_\_\_

DATE : \_\_\_\_\_

FIRE WARDEN

**INSTRUCTIONS**

**FOR YOUR OWN SAFETY YOU SHOULD KNOW**

1. Two push button fire alarm boxes are provided per floor. You should read the operating instructions.
2. You should read the operating instructions on the body of the fire extinguishers provided on your floor.
3. The nearest exit from your table.
4. Your assembly point on ground floor (check with your Fire/Deputy Fire Warden).
5. **FOR YOUR OWN PROTECTION YOU SHOULD REPORT TO YOUR FIRE/ DEPUTY FIRE WARDEN**
  - a) If any exit door/route is obstructed by loose materials, goods, boxes, etc.
  - b) If any staircase door, lift lobby door does not close automatically, or does not close completely.
  - c) If any push button fire alarm point, or fire extinguisher is obstructed, damaged or apparently out of order.



**IF YOU DISCOVER A FIRE**

- 1) Break the glass of the nearest push button fire alarm and push the button.
- 2) Attack the fire with extinguishers provided on your floor. Take guidance from your Wardens.
- 3) Evacuate, if your Warden asks you to do so.

- 2) Report to your Warden, at your predetermined assembly point outside the building.
- 3) Do not try to use lifts.
- 4) Do not go to cloakroom.
- 5) Do not run or shout.
- 6) Do not stop to collect personal belongings.
- 7) Keep the lift lobby and staircase doors shut.

**IF YOU HEAR EVACUATION INSTRUCTIONS**

- 1) Leave the floor immediately by the nearest staircase as directed.

YOUR ASSEMBLY POINT IS .....

**ANNEX E**

*(Clauses 5.1.4 and 6)*

**ADDITIONAL REQUIREMENTS FOR HIGH RISE BUILDINGS**

**E-1 GENERAL**

High rise buildings (15 m and above in height) shall receive special attention with respect to fire and life safety particularly with regard to planning, design, execution, maintenance and training so that the intended provisions of this Code are well implemented. These get further accentuated as the buildings go taller; some of the key aspects are as follows:

- a) Staging and evacuation requirements of occupants.
- b) Stack effect posing challenges towards pressurization and smoke exhaust.
- c) Zoning of firefighting system to meet functional requirements of hydraulic pressure and flow.
- d) Challenges experienced by fire personnel in reaching the place of fire and towards evacuation.

Aspects to mitigate these challenges require innovative approach, interaction with local fire authorities and meaningful strategic planning towards maintenance and fire drills.

**E-2 EGRESS AND EVACUATION STRATEGY**

One firefighting shaft shall be planned for each residential building/tower, in an educational building/block, and for each compartment of institutional, assembly, business and mercantile occupancy types. For other occupancy types, requirement of firefighting shaft shall be ascertained in consultation with the local fire

authority. The firefighting shaft shall necessarily have connectivity directly to exit discharge or through exit passageway (having 120 min fire resistance walls) to exit discharge.

Staircase and fire lift lobby of a firefighting shaft shall be smoke controlled as per 4.4.2.5 and Table 6.

It is recommended that the pressurization requirement for staircase in firefighting shaft and for other fire exit staircases in buildings greater than 60 m in height be evaluated to limit the force required to operate the door assembly (in the direction of door opening) to not more than 133 N to set the door leaf in motion. The aspect of pressurization, door area/width and door closure shall be planned in consideration to the above.

**E-3 FIRE SAFETY REQUIREMENTS FOR LIFTS**

The provisions as given in 7.1 to 7.2.4 under fire safety requirements of lifts in high rise buildings in Part 8 ‘Building Services, Section 5 Installation of Lifts, Escalators and Moving Walks, Subsection 5A Lifts’ of the Code shall be applicable.

**E-4 HORIZONTAL EXITS/REFUGE AREA**

A horizontal exit shall be through a fire door of 120 min rating in a fire resistant wall. Horizontal exit require separation with the refuge area or adjoining compartment through 120 min fire barrier. The adjoining compartment of the horizontal exit should allow unlocked and ease of egress and exits for the occupants using defend in place strategy.

Requirements of horizontal exits are as under:

- a) Width of horizontal exit doorway shall be suitable to meet the occupant load factor for egress.
- b) Doors in horizontal exits shall be openable at all times from both sides.
- c) All doors shall swing in the direction of exit travel. For horizontal exits, if a double leaf door is used, the right hand door leaf shall swing in the direction of exit travel.
- d) Refuge area shall be provided in buildings of height more than 24 m. Refuge area provided shall be planned to accommodate the occupants of two consecutive floors (this shall consider occupants of the floor where refuge is provided and occupants of floor above) by considering area of 0.3 m<sup>2</sup> per person for the calculated number of occupants and shall include additionally to accommodate one wheelchair space of an area of 0.9 m<sup>2</sup> for every 200 occupants, portion thereof, based on the occupant load served by the area of refuge or a minimum of 15 m<sup>2</sup>, whichever is higher, shall be provided as under:
  - 1) The refuge area shall be provided on the periphery of the floor and open to air at least on one side protected with suitable railings.
  - 2) Refuge area(s) shall be provided at/or immediately above 24 m and thereafter at every 15 m or so.

The above refuge area requirement for D-6 occupancy requirement shall however be in accordance with **6.4.2.2**.
- e) A prominent sign bearing the words 'REFUGE AREA' shall be installed at the entry of the refuge area, having height of letters of minimum 75 mm and also containing information about the location of refuge areas on the floors above and below this floor. The same signage shall also be conspicuously located within the refuge area.
- f) Each refuge area shall be ventilated and provided with first aid box, fire extinguishers, public address speaker, fire man talk back, and adequate emergency lighting as well as drinking water facility.
- g) Refuge areas shall be approachable from the space they serve by an accessible means of egress.
- h) Refuge areas shall connect to firefighting shaft (comprising fireman's lift, lobby and staircase) without having the occupants requiring to return to the building spaces through which travel to the area of refuge occurred.

- j) The refuge area shall always be kept clear. No storage of combustible products and materials, electrical and mechanical equipment, etc shall be allowed in such areas.
- k) Refuge area shall be provided with adequate drainage facility to maintain efficient storm water disposal.
- m) Entire refuge area shall be provided with sprinklers.
- n) Where there is a difference in level between connected areas for horizontal exits, ramps of slope not steeper than 1 in 12 shall be provided (and steps should be avoided).

NOTE — Refuge area provided in excess of the requirements shall be counted towards FAR.

High rise apartment buildings with apartments having balcony, need not be provided with refuge area; however apartment buildings without balcony shall provide refuge area as given above. Refuge areas for apartment buildings of height above 60 m while having balconies shall be provided at 60 m and thereafter at every 30 m. The refuge area shall be an area equivalent to 0.3 m<sup>2</sup> per person for accommodating occupants of two consecutive floors, where occupant load shall be derived on basis of 12.5 m<sup>2</sup> of gross floor area and additionally 0.9 m<sup>2</sup> for accommodating wheel chair requirement or shall be 15 m<sup>2</sup>, whichever is higher.

#### E-5 ELECTRICAL SERVICES

The specific requirements for electrical installations in multi-storeyed buildings given in Part 8 'Building Services, Section 2 Electrical and Allied Installations' of the Code and Section 7 of National Electrical Code 2011 shall be followed.

Wherever transformers are planned at higher floors, the HT cables shall be routed through a separate shaft having its own fire resistance rating of 120 min. Wherever HT generators are planned centrally at ground or first basement level, redundant transformers and HT cables shall be planned for buildings above 60 m in height.

#### E-6 FIRE PROTECTION

For residential occupancies above 120 m in height and other occupancies above 60 m in height, the sprinklers shall be fed from the main and an alternate/standby riser with suitable isolation valves. The entire sprinkler system shall be designed in accordance with good practice [4(20)].

Where the height of the building exceeds 150 m to 175 m, fire water static storage and pumps shall be required to be provided at 160 m to 180 m and thereafter at intermediate floors at higher levels enabling efficient and functional firefighting installations. The static fire

water storage tanks located at such levels shall have capacity at minimum half of the storage of underground static water storage tank prescribed in Table 7. Such tanks shall be supplemented with water supplies through one working and one standby pump of capacity 2 850 litre/min with two risers at alternate locations feeding to such fire water static storage tanks. The fire pump's requirement and capacity shall also be derived for occupancy type as per Table 7 substituting the diesel pump with electrical pump. The fire pump room at such level shall have dedicated connectivity through passageway (with 120 min integrity) from the firefighting shaft. Such fire pump room shall have 120 min fire resisting wall and provided with adequate ventilation with talk-back connectivity to the main fire pump room and Fire Command Centre.

For high rise buildings, seismic bracings shall be considered for firefighting installations depending on

seismic vulnerability of the region and the type of occupancy.

#### **E-7 FIRE AND LIFE SAFETY AUDIT**

- a) Fire and life safety audit shall be carried out for all buildings having a height of more than 15 m.
- b) Such audits shall preferably be conducted by a third party auditor having requisite experience in fire and life safety inspections.
- c) Frequency of such audits shall be once in two years.

#### **E-8 HELIPAD**

For high rise buildings above 200 m in height, provision for helipad is recommended for specific requirements like landing of fire equipment, and support facilities or other emergencies.

## **ANNEX F**

### *(Clause 6)*

#### **ATRIUM**

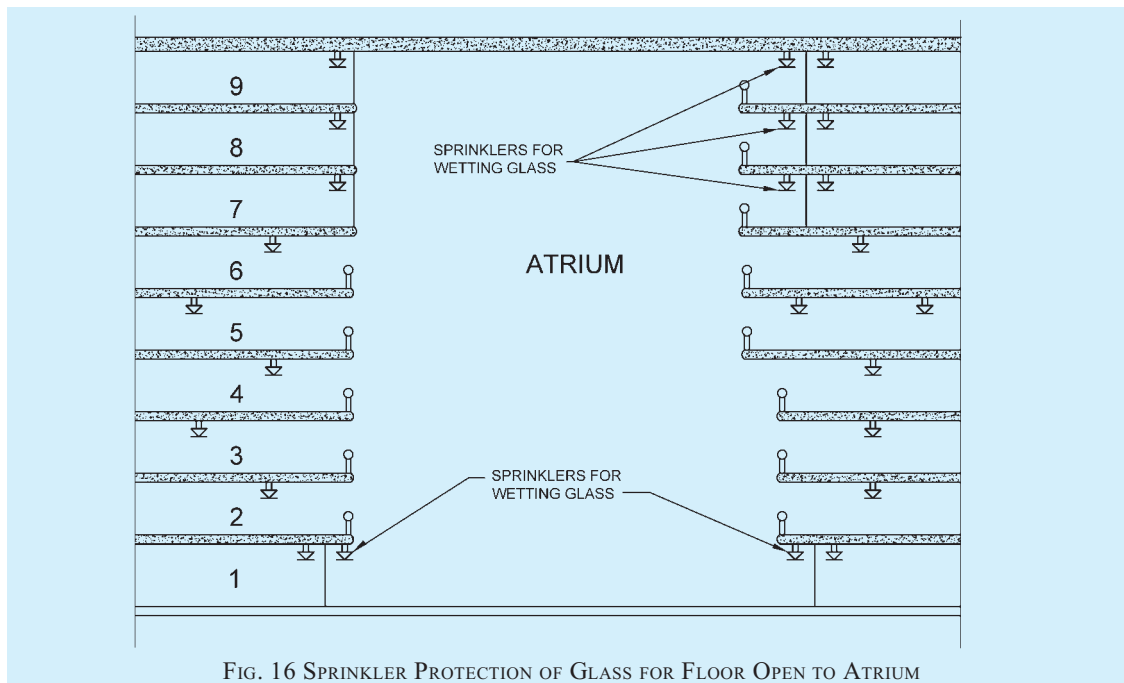
##### **F-1 ATRIUM REQUIREMENTS**

- a) In order for an atrium to be permitted in buildings, the following shall be complied:
  - 1) Atrium shall be permitted in buildings of Type 1 and Type 2 construction only.
  - 2) The use of combustible furnishings and decorations on the floor of the atrium shall be limited and sparsely distributed.
- b) Smoke detectors shall be provided on the underside of each floor protruding into the atrium, at the atrium roof and adjacent to each return air intake from the atrium. Within atrium space, beam type or aspirating type smoke detectors shall be used to ensure detection of smoke, considering factors such as stratification of smoke.
- c) Where the ceiling of the atrium is more than 17 m above the floor, water based protection (automatic sprinklers) at the ceiling of atrium is not required.
- d) Hydrants shall be available at the floor of

the atrium and also at the adjoining upper spaces/floors of the atrium.

Sprinklers are required to be installed for coverage of glass areas of retail, tenant and other areas adjoining the exit access corridor and atrium. Sprinklers shall be at a distance of 450 mm to 600 mm enabling cooling of such glass and limiting the extent of fire and smoke to the atrium (*see* Fig. 16). This provision does not allow similar sprinkler installation arrangement to offset fire compartmentation requirements, in which case fire barrier is required as per relevant provisions of this Part.

- e) Atrium in business occupancy shall be planned with 6 air changes per hour (ACPH) while atrium in hotels and assembly occupancy shall be planned with 8 ACPH smoke extraction system. Such air changes shall be planned in atrium for a height of 15 m from the top.
- f) Smoke exhaust fans shall be capable of operating effectively at 250°C for 120 min.



- g) Makeup air supply points shall be located beneath the smoke layer and on the lower levels connected by the atrium.
- h) Makeup air shall be provided by fans, openings to outside to allow infiltration, or the combination thereof.
- j) It is recommended that makeup air be designed at 85 percent to 95 percent of the exhaust flow rate, not including the leakage through these small paths.
- k) The makeup air shall not cause door-opening force to exceed allowable limits.
- m) The makeup air velocity shall not exceed 1.02 m/s where the makeup air could come into contact with the plume unless a higher makeup air velocity is supported by engineering analysis.
- n) Atrium smoke management system fans shall be provided with emergency power.
- p) If so required by the Authority, an engineering analysis should be performed which demonstrates that the smoke system for the atrium is designed to keep the smoke layer interface 1 800 mm above the highest occupied floor level of exit access, open to the atrium, for a period equal to 1.5 times the calculated egress time or 20 min, whichever is greater.

## ANNEX G

(Clause 6)

### COMMERCIAL KITCHENS

#### G-0 GENERAL

The provisions given herein are applicable to those commercial kitchens serving in centrally air conditioned buildings such as kitchens of starred hotels, food courts, malls, banquet halls and restaurants.

Electricity, gas and in some cases solid fuels such as wood or charcoal are the energy sources used to power a commercial kitchen.

The potential hazards posed by the commercial cooking facilities are as follows:

- a) *On cooking appliances using oil as fuel* — The oil can self-ignite due to overheating of the cooking appliances or through open flames.
- b) Full grease residues trapped in the hoods due to non-cleaning of filters and dusts periodically and exhaust ventilation system can ignite through overheated air flues or open flames.
- c) Faulty electrical equipment and electrical installation are more likely to spark, and failure of thermostat and safety switches that may lead to overheat and consequent fire.
- d) Flammable materials in the vicinity of open flames or heat sources

#### G-1 TERMS ASSOCIATED WITH COOKING OPERATIONS

- a) *Types of restaurants/food preparation facilities* — Buffet restaurants, cafeterias, coffee shops, entertainment facilities (nightclubs, dinner theatres), and ethnic, fast food, speciality and traditional restaurants, corporate canteens, casinos, educational facilities, schools and universities, hospitals, care homes, mental homes and prisons.
- b) *Ventilation/grease extraction equipment* — Exhaust hoods, grease removal devices, exhaust ductwork, exhaust fans, dampers and other ancillary components or systems that are involved in the capture, containment, and control of grease-laden cooking effluent.
- c) *Cooking appliances* — Ranges, deep fat fryers, microwave ovens, griddles, grills, pressurized fryers, potato chip fryers, woks, broilers, doughnut fryers, barbecue/smokers, ovens, *Tandoors*, steam kettles, appliances initializing grease and cooking oils, etc.

#### G-2 FIRE PROTECTION SYSTEMS

- a) A kitchen fire suppression system needs to be installed whenever cooking appliances are using LPG/PNG/oil/electricity and/or dry fuel like wood or charcoal for cooking and/or can ignite the exhaust or fat for cooking and/or can ignite the ventilation system. Cooking equipment that produces grease-laden vapours and that might be a source of ignition of grease in the hood, grease removal device, or duct shall be protected by fire-suppression equipment.
- b) The initial fire hazard is the cooking appliance itself. However, once the exhaust ventilation system is involved in fire due to propagation from the appliances, the exhaust system becomes the more severe hazard due to the potential of fire propagation outside the cooking space.
- c) The requirement for kitchen fire suppression systems shall be directly linked to measurements that actually represent the risk. Some other contributory factors could be but not necessarily — connected load (kW), area occupied by kitchen equipment, volume of cooking oil and other flammables, inter distances between equipment, cooking media, etc.
- d) Grease laden hoods can be ignited by heat penetrating the outside of the kitchen hood. Any penetration to the outside of a hood, shall be either welded or fitted with an approved sealing device so as not to allow cooking grease and oil to migrate to the outer portion of the hood.
- e) If sprinkler protection is specified for a building, it needs careful consideration of the likely consequences if certain portion of the building is omitted from the scope of protection, for example, no water should get on the cooking appliances (especially the fryer). Removing this protection from a high hazard area logically requires this area to be protected by a more suitable solution, dedicated to this special hazard.

#### G-3 FIRE SEPARATION REQUIREMENTS

- a) Where a kitchen is required for the preparation of food and/or where 'open flame' cooking appliances are used and/or where fryers



- (with no open flames) are used, the kitchen shall be separated from other parts of the same building by compartment wall and floor having fire resistance of at least 60 min.
- b) Food serving areas shall be fire separated from the kitchens/cooking areas by fire rated elements having a resistance of at least 60 min. Doors shall have fire resistance of 60 min rating and fitted with automatic self-closing device.
- c) In open type kitchen cooking area, sitting area needs to be segregated by 60 min fire rated glass or drop fire curtains [see also G-3(d) and G-5.2(b)].
- d) Where the flue or exhaust duct passes through the compartment wall or floor, the flue or duct shall be encased by non-combustible construction and no damper shall be permitted to be installed in such flue or duct. Also such flue or ductwork shall be clear from combustible materials.
- e) If the commercial kitchen/cooking is situated in a building that is not sprinkler protected, the floor area of the kitchen/cooking shall not exceed 50 m<sup>2</sup>.
- f) Commercial kitchen/cooking using LPG as fuel for the 'open flame' cooking activities shall not be allowed to be located at the basements. As regards LPG cylinder storage, attention is drawn to good practice [4(14)] and Part 8 'Building Services, Section 2 Electrical and Allied Installations' of the Code for compliance requirements
- g) It is advisable to locate the kitchen/cooking operations on the external periphery of the building so that in the event of mechanical ventilation failure, it can be naturally ventilated.

**G-4** Life safety and egress requirements shall be governed by the requirements under life safety (see 4). In case the requirements under this annex differs from those under 4, this annex shall take precedence.

## **G-5 FIRE SAFETY REQUIREMENTS**

### **G-5.1 General**

- a) The following equipment must always be kept in working condition:
  - 1) Cooking equipment,
  - 2) Hoods,
  - 3) Exhaust ducts (if provided),
  - 4) Fans,

- 5) Fire extinguishing systems,
- 6) Fire detection and alarm system, and
- 7) Gas leakage detectors (if gas is used as fuel).
- b) An automatic fixed suppression system shall be installed to protect all cooking equipment producing grease laden vapours and that might be a source of ignition of grease in the hood, grease removal device.
- c) Fire-suppression equipment shall be provided for the protection of grease removal devices, hood exhaust plenums, and exhaust duct systems.
- d) All fire suppression systems and components installed shall be in accordance with relevant Indian and/or International Standards.

### **G-5.2 Protection of Cooking Equipment (General)**

- a) Cooking equipment shall be protected with the following:
  - 1) Automatic wet chemical fire suppression system for the protection of hoods (OR) other equivalent approved systems like water mist applications for kitchen fires.
  - 2) Automatic sprinkler system for non-cooking areas (not in the vicinity of cooking areas or inside hoods).
  - 3) Exhaust ducts shall be protected by automatic high temperature sprinklers designed as per good practice [4(20)].
- b) Due diligence shall be exercised before considering protection with sprinkler/water mist installation particularly for the protection of fryers. No sprinklers shall be provided within 3 m of cooking equipment and kitchen hoods. Area sensitive to sprinklers shall be protected with wet chemical suppression systems or other approved systems for the type of protection. Water mist systems, if approved for use for the type of application (that is, commercial cooking equipment) by fire tests, may also be considered.
- c) Kitchen hoods independent suppression systems shall discharge wet chemicals to all areas of a kitchen range extract hood that is potentially coated in grease. The system shall also discharge over deep fat cooking pans or other potential fire source. The system shall be activated by heat detectors located above the appliances/within hoods and in the entrance to exhaust duct. Additional detectors behind equipment in the duct may be

necessary. These may be of fusible link type. Extinguishing systems shall also incorporate manually actuating devices which shall be located in easily accessible locations in the means of egress.

- d) The operational sequence shall be as follows:
  - 1) On detection of fire in the hood and upon actuation of fire suppression system, any power or gas supplies serving the kitchen equipment must be cut-off and isolated automatically.
  - 2) Pressure regulating stations shall be designed and installed at critical locations for excess flow shut off valves.
  - 3) Seismic shut off valve at the main distribution point shall also be provided.
  - 4) The exhaust fan shall not stop and continue operating, even after activation of the system. The supply fan shall switch off.
  - 5) Gas leakage detectors shall be provided in all kitchens that link to a gas solenoid valve for emergency shut off. Suitable gas detection system (based on type of gas used LPG or PNG) integrated with fire detection and alarm system must be provided in addition to heat/multi-criteria detectors and sprinklers.
  - 6) Manually operating devices shall immediately activate fire suppression system, which in turn shall shut off other systems like fuel supply/power supply, etc. Manual system shall operate mechanically and not rely on electrical power for activation, unless this is from an emergency power source as described in this Code.
  - 7) In the event of the kitchen hood system being activated, an alarm should be sounded. The system must also be interfaced with the fire detection and alarm system.
- e) Fire extinguishers in the vicinity of cooking area and the hoods shall be suitable for the type of fire.

**G-5.3 Cooking Equipment Exhaust Ventilation**

- a) Hoods/ducts containing automatic fire suppression systems are protected areas; therefore, these hoods are not considered obstructions to overhead sprinkler systems and shall not require floor coverage underneath thereof.
- b) Sprinkler installation shall comply with various provisions contained in accepted

standard [4(28)]. The temperature rating of sprinklers shall be so selected that it is 30°C above the anticipated maximum temperature within cooking/kitchen areas. Sprinklers provided inside the exhaust ducts shall be of 141°C temperature.

- c) Provision of cleaning of the kitchen exhaust every six months to ensure that the carbon soot accumulated in the exhaust duct is cleaned to avoid the chances of outbreak of fire shall be made.
- d) Independent exhaust ducts shall be provided for equipment using dry fuel like wood/charcoal which produce spark and are likely to ignite the grease which might have accumulated in the common duct. Alternatively, approved spark arrestors may be provided before the duct from equipment using dry fuel meets the main duct. These spark arrestors shall be so provided that these are easily accessible and removable for cleaning.

**G-5.4 Cooking Equipment**

- a) Cooking equipment (such as deep fat fryers, rangers, griddles, and broilers) that may be a source of ignition shall be provided in accordance with the provision of G-5.2(a).
- b) The operation of any sprinkler within the kitchen or cooking area shall automatically shut off all sources of fuel and heat to all equipment requiring protection. Any gas appliance not requiring protection but located under ventilating equipment shall also be shut off. All shutdown devices shall be of the type that requires manual resetting prior to fuel or power being restored.
- c) An approved indicating valve (flow indicating switch) shall be installed in the water supply line feeding to the sprinklers protecting the cooking and extraction ventilating system.
- d) A system test connection shall be provided to verify proper operation of equipment specified in item G-5.2(d)(4).
- e) Sprinklers shall be inspected at least twice in a year and cleaned, if found coated with grease and other particles during their use and thus their thermal sensing elements desensitized.
- f) Any penetrations to the outside of a hood, be either welded or fit with a sealing device (certified by national/international approval bodies) to not allow cooking grease, oil to migrate to the outer portion of the hood. The fitment arrangements shall be of approved type. Gaskets for the panels shall be certified to withstand a temperature of 815.6°C (1 500°F).

- g) Grease strip shall be readily available for efficient and regular cleaning of concrete or paved floors of kitchen and restaurant and also the drainage areas.
- h) The hood or that portion of a primary collection means designed for collecting cooking vapours and residues shall be constructed of and be supported by steel not less than 1.09 mm (No. 18 MSG) in thickness or stainless steel not less than 0.94 mm (No. 20 MSG) in thickness or other approved material of equivalent strength and fire and corrosion resistance.
- j) All seams, joint, and penetrations of the hood enclosure that direct and capture grease-laden vapours and exhaust gases shall have a liquid tight continuous external weld to the hood's lower outermost perimeter.
- k) Grease filters shall be of steel rigid construction that will not distort or crush under normal operation handling and cleaning conditions. They shall be so arranged that all exhaust air passes through the grease filters. Filters shall be easily accessible and removable for periodic cleaning.
- m) Grease filters shall be installed at an angle not less than 45° from the horizontal.
- n) Grease filters shall be equipped with a grease drip tray beneath their lower edges and shall have a suitable minimum depth needed to collect grease. The grease drip trays shall be pitched to drain into an enclosed metal container having a capacity not exceeding 3.8 litre.
- p) The exhaust ducts shall be constructed of and supported by carbon steel not less than 1.37 mm (No. 16 MSG) in thickness or stainless steel not less than 1.09 mm (No. 18 MSG) in thickness.

**G-5.5 Rooftop Terminations — Exhaust Systems**

- a) The exhaust system shall terminate either outside the building with a fan or duct or through the roof or to the roof from outside with minimum 3 m of horizontal clearance from the outlet to the adjacent buildings, property lines and air intakes.
- b) There shall be a minimum of 1.5 m of horizontal clearance from the outlet (fan housing) to any combustible structure.
- c) There shall be a vertical separation of 1.0 m below any exhaust outlets for air intakes within 3.0 m of the exhaust outlet.

**ANNEX H**

[*Clauses 6.4.2.2 and 6.8.1.5*]

**CAR PARKING FACILITIES**

**H-1** The provisions given in **H-2** to **H-5** shall apply to parking structures of the closed or open type, within buildings above or below grade.

**H-2 GENERAL**

- a) Where both parking and repair operations are conducted in the same building, the entire building shall comply with the requirements for Group G occupancies, unless the parking and repair sections are effectively separated by separation walls of 120 min.
- b) Floor surfaces shall be non-combustible, sloping towards drains to remove accumulation of water.
- c) Those parts of parking structures located

within, immediately above or below, attached to, or less than 3 m away from a building used for any other purpose shall be separated by fire resistant walls and floors having fire resistance rating of not less than 120 min. This shall exclude those incidental spaces which are occupied by cashier, attendant booth or those spaces used for toilets, with a total area not exceeding 200 m<sup>2</sup>.

- d) Vehicle ramps shall not be considered as exits unless pedestrian facilities are provided.
- e) Other occupancies like fuel dispensing, shall not be allowed in the building. Car repair facilities, if provided, shall be separated by 120 min fire resistant construction.

- f) In addition to fire protection requirements as per Table 7, appropriate fire detection and suppressions systems shall be provided for the protection of hydraulic oil tank and pumps located below ground level for operation of car lifts.
- g) Means of egress shall meet the requirements specified in 4.

**H-3 OPEN PARKING STRUCTURES (INCLUDING MULTI-LEVEL PARKING AND STILT PARKING)**

- a) The term open parking structure specifies the degree to which the structure’s exterior walls must have openings. Parking structures that meet the definition of the term open parking structure provide sufficient area in exterior walls to vent the products of combustion to a greater degree than an enclosed parking structure.
- b) A parking structure having each parking level wall openings open to the atmosphere, for an area of not less than 0.4 m<sup>2</sup> for each linear metre of its exterior perimeter shall be construed as open parking structure. Such openings shall be distributed over 40 percent of the building perimeter or uniformly over two opposing sides. Interior wall lines shall be at least 20 percent open, with openings distributed to provide ventilation, else, the structure shall be deemed as enclosed parking structures.

NOTE — A car park located at the stilt level of a building (not open to sky) can be considered an open or an unenclosed car park if any part of the car park is within 30 m of a permanent natural ventilation opening and any one of the following is complied with towards the permanent natural ventilation requirement:

- i) 50 percent of the car park perimeter shall be open to permanent natural ventilation.
- ii) At least 75 percent of the car park perimeter is having the 50 percent natural ventilation opening.
- c) All stilt parking are required to be provided with sprinkler system where such buildings are required to be sprinklered.
- d) Open parking structures are not required to be provided with compartmentation.
- e) Open car parking (open to sky) within building complex having fire hydrant system shall also need to be protected with yard hydrant installation system in accordance with good practice [4(29)].

**H-4 ENCLOSED PARKING STRUCTURES**

- a) Those car parking structures which are enclosed on all sides and on top, not falling

within the definition of open car parking [see H-3(b)] and also those situated in the basements shall be known as enclosed car parking structures.

- b) All sprinklers in car parking shall be standard response type with minimum K-Factor of 80, area coverage of 9 m<sup>2</sup> and designed as per good practice [4(20)].
- c) For basement car parking, compartmentation can be achieved, with fire barrier or with water curtain nozzle (K-23) or with combination thereof. Automatic deluge system comprising deluge valve, piping, nozzles, etc shall be used to zone the compartment in case of water curtain system. In case of water curtain, existing water storage shall be supplemented by water demand for water curtain nozzles for 60 min considering the largest compartment’s perimeter out of all compartments of car parking in any of the basements.
- d) The water supply for the water curtain nozzles shall be through independent electric pump of adequate capacity (flow and head) with piping/riser for the water supply to the nozzles.
- e) The water curtain shall be operated by the actuation of flow switch actuating sprinkler system.
- f) For smoke ventilation requirement of car parking, see 4.6.2.
- g) All fire exit doors from the car parking to exits shall be painted green and shall display exit signage.

**H-5 AUTOMATED CAR PARKING UTILIZING MECHANICAL OR COMPUTERIZED/ROBOTIC MEANS**

- a) Automated car parking structure can be of open parking type or enclosed types.
- b) Automated car parking facilities pose more hazard compared to manual parking due to following reasons:
  - 1) High density of cars due to close stacking-one over another.
  - 2) Lack of provision on fire separation/compartmentation-horizontal or vertical leading to rapid fire spread.
  - 3) Non-availability of any person to notice/control the fire in initial stages.
  - 4) Limited access to firefighting personnel.
  - 5) Extensive height and depth involved with highly combustible load.
- c) Fire escape staircases, at least 1 250 mm wide shall be provided at appropriate locations so

- that no place is more than 45 m from the nearest staircase. Horizontal walkways, at least 1 000 mm wide for access to all the areas shall be provided at every parking level.
- d) Travel distance and means of egress shall be governed by the respective sections of this Code.
  - e) The hazardous areas like DG sets, transformers, HT/LT panels for the parking lot shall be suitably segregated from other areas as per requirements given in this Code and all such areas shall be protected by suitable automatic fire suppressions systems.

## ANNEX J

### (Clause 6.4.4)

#### FIRE AND LIFE SAFETY REQUIREMENTS FOR METRO STATIONS

##### J-1 APPLICATION AND SCOPE

The provisions of this annex relates to the buildings constructed as part of the metro stations/metro rail systems.

##### J-2 TERMINOLOGY ASSOCIATED WITH METRO FACILITIES

For the purpose of this annex, the terminologies given at 2.43 shall apply.

##### J-3 GENERAL

###### J-3.1 Classification

Metro stations can be classified under ‘Assembly occupancies’. These shall include any station building or part thereof, permanent or temporary, through which people transit for the duration of time required to enter the building and board the train to depart the station platform or to alight from the train and depart from the station building.

###### J-3.2 Sub-classification

Metro stations can be further classified under the following headings:

- a) Elevated and enclosed stations,
- b) Elevated and open stations, and
- c) Underground stations.

NOTE — The above shall include all open and enclosed Metro Stations along with their associated ancillary structures and train depots. Elevated shall mean to include ‘at-grade’ stations as well.

##### J-3.3 Fire Zones

Metro stations, that is, mass rapid transit may be constructed within Fire Zone No. 1, 2 or 3, as per the transportation requirement.

##### J-3.4 Type of Construction

Metro stations shall conform to Type 1 or Type 2 or combinations of Types 1 and 2 non-combustible constructions, as defined in 3.3.

##### J-4 LIFE SAFETY REQUIREMENTS

###### J-4.1 Occupant Load

- a) Main occupant load in a transit station is the platform occupant load, on which basis the life safety provisions of transit stations are designed. Occupant loads in transit stations are mainly a function of the train carrying capacities rather than the areas of a station.
- b) For calculating platform occupant loads for a multiline, multilevel or multiplatform station, maximum occupant load for each platform shall be considered separately for determining the egress capacity from that platform.
- c) At levels where egress routes from separate platforms converge, occupant loads of all platforms shall be considered to calculate egress capacity from that level. Simultaneous loads shall be considered for all egress routes passing through each level of that station.
- d) Platform occupant load shall be based on the greater of the AM or PM ‘peak hour loads’ generated by the system and train loads.



- e) Peak hour load shall be converted to peak minute loads by dividing by 50 and multiplying further by a system surge factor varying from 1.15 to 1.5, as defined by the transit system authority. Surge factor may require to be further enhanced where increased footfalls are anticipated like stations catering to sports complex, etc.
- f) Platform occupant load shall be determined by factoring in the peak hour entraining loads at platform edges and train loads, in emergency evacuation scenario, as defined here:
  - 1) *Train on fire* — It is assumed that a train loaded to crush capacity travelling in peak direction at peak hour has caught fire, and as per the operating procedure it is brought to the next station, whereupon it shall require to be evacuated.
  - 2) The train in this case being called the ‘incident train’ and the platform on which it is arriving being called ‘incident platform’ of the ‘incident station’.
  - 3) Passengers waiting on all the platforms of the ‘incident station’ shall require to be evacuated as well.
  - 4) Number of passengers shall be determined as defined in (g) below.
  - 5) Only one source of fire, that is, train fire shall be assumed at a time.
  - 6) It is assumed that the train on non-incident platform shall not stop at the incident station and shall stop only at previous/ next station.
- g) Platform occupant load, for emergency evacuation scenario, shall be the addition of two headway entraining loads for peak direction platform, one headway entraining load for off-peak direction platforms and one crush train load.

NOTE — See also J-4.1(b) and J-4.1(c).

- h) *Occupancy in non-public areas:*
  - 1) Use of designated non-public areas by station staff whose work assignments require their presence in the station structures shall be permitted.
  - 2) Unmanned plant rooms and any other areas where usual occupancy is less than 10 persons at any given time shall be treated as unoccupied areas.
- j) *Segregation with non-transit occupancy:*  
Non-transit occupancies, of area up to 250 m<sup>2</sup>,

shall be permitted to be accommodated within the station building. Occupant load of areas under non-transit occupancies shall be in accordance with Table 3.

## J-5 EGRESS PROVISIONS

### J-5.1 Evacuation Time

- a) *Means of egress — Public areas* — Egress from metro station shall be designed to facilitate the evacuation of a pre-defined platform occupant load to a designated point of safety in pre-defined emergency scenario(s), as defined by the transit system authority.
- b) *Evacuation time from platform* — Enough egress capacity shall be provided to evacuate the platform occupant load within 4 min from enclosed stations and within 5.5 min from open stations.
- c) *Evacuation time to point of safety* — Further, station design should permit evacuation of the remotest person on platform to a point of safety within 6 min in case of enclosed stations and within 8 min in case of open stations.  
  
NOTE — Evacuation time specified in (b) and (c) may be modified based on actual engineering analysis by evaluating material heat release rates, station geometry and emergency ventilation systems.
- d) For open stations where the concourse is below or protected from the platform by distance or materials as determined by an appropriate engineering analysis, that concourse shall be permitted to be defined as a point of safety.
- e) For enclosed stations equipped with an emergency ventilation system and where the emergency ventilation system provides protection for the concourse from exposure to the effects of a train fire at the platform as confirmed by engineering analysis, that concourse is permitted to be defined as a point of safety.

### J-5.2 General Arrangement

- a) Means of egress from each station platform shall be provided so that they are equally distributed as far as possible, in capacity and placement, throughout the length of platform.
- b) There shall be at least two means of egress remote from each other.
- c) Means of egress may however be allowed to converge at concourse or subsequent levels with sufficient capacity to achieve the required evacuation time.

- d) As far as possible, all the egress capacity required for emergency evacuation shall be provided with the unenclosed stairs and escalators which are used for normal circulation.

### **J-5.3 Travel Distance**

The maximum travel distance on the platform to a point at which a means of egress route leaves the platform shall not be more than 100 m. This shall however be subject to fulfilling the egress requirements specified in **J-5.2**.

### **J-5.4 Means of Egress**

#### **J-5.4.1 Non-public Areas**

Means of egress from unoccupied non-public areas shall be permitted to be merged into public means of egress.

#### **J-5.4.2 Non-transit Occupancies**

Separate means of egress shall be provided for such non-transit occupancies which are segregated from the station public area to ensure independent evacuation from either occupancy. Such means of egress may be allowed to converge beyond station concourse area with the approval of the competent authority.

#### **J-5.4.3 Platform, Corridors, Ramps**

Platforms, corridors and ramps serving as means of egress shall be designed as per following criteria:

- a) A minimum clear width of 1 200 mm shall be provided along all platforms, corridors, and ramps serving as means of egress.
- b) In computing the means of egress capacity available on platforms, corridors, and ramps, 300 mm shall be deducted at each sidewall, and 450 mm shall be deducted at platform edges that are open to the trainway.
- c) The maximum means of egress capacity of platforms, corridors, and ramps shall be computed at 0.082 0 people/mm-min.
- d) The maximum means of egress travel speed along platforms, corridors, and ramps shall be computed at 38.0 m/min.
- e) The means of egress travel speed for concourses and other areas where a lesser pedestrian density is anticipated shall be computed at 60.0 m/min.

#### **J-5.4.4 Stairways**

- a) Unenclosed stairs and escalators shall be permitted to be counted as contributing to the means of egress capacity in stations.

- b) Minimum widths of such unenclosed staircases shall be 1 800 mm for unidirectional stairs, and 2 400 mm for bi-directional stairs.
- c) Wall or floor mounted railings on both sides shall be permitted on stairs without affecting the widths stated in (b) above by more than 300 mm.
- d) Enclosed stairs in the means of egress shall be minimum 1 200 mm wide.
- e) Capacity and travel speed for stairs shall be computed at 0.055 5 people/mm-min and 14.6 m/min, respectively.

#### **J-5.4.5 Escalators**

- a) Escalators shall not account for more than one-half of the means of egress capacity at any one level.
- b) In calculating the egress capacity of escalators,
  - 1) one escalator at each level shall be considered as being out of service, and
  - 2) the escalator chosen shall be the one having the most adverse effect upon egress capacity.
- c) Where escalators are permitted as a means of egress in stations, the following criteria shall be complied with:
  - 1) The escalators shall be constructed of non-combustible materials (exceptions like rollers and handrails shall be permitted with the approval of the Competent Authority).
  - 2) Escalators running in the direction of egress shall be permitted to remain operating.
  - 3) Escalators running reverse to the direction of egress shall be capable of being stopped either locally by a manual stopping device at the escalator or remotely by a manual stopping device at a remote location or remotely as part of a pre-planned evacuation response. A stopped escalator shall be counted as equivalent to 1 m wide staircase.
- d) Where provision is made for remote stopping of escalators counted as means of egress, one of the following shall apply:
 

The stop shall be delayed until it is preceded by a minimum 15 s audible signal or warning message sounded at the escalator; wherein (1) the signal or message shall have a sound intensity that is at least 15 dBA above the average ambient sound level for the entire length of the escalator, (2) the signal shall be

distinct from the fire alarm signal, and (3) the warning message shall meet audibility and intelligibility requirements.

OR

Where escalators are equipped with the necessary controls to decelerate in a controlled manner under the full rated load, the stop shall be delayed for at least 5 s before beginning deceleration, and the deceleration rate shall be no greater than 0.052 m/s<sup>2</sup>.

- e) Escalators with or without intermediate landings shall be acceptable as a means of egress, regardless of vertical rise.
- f) Escalators exposed to the outdoor environment shall be provided with slip-resistant landing and floor plates.
- g) Stopped escalators shall be permitted to be started in the direction of egress in accordance with the requirements for stopping of escalators described in **J-5.4.5(c)(3)** and **J-5.4.5(d)**.
- h) Capacity and travel speed for escalators shall be computed at 120 people/min and 18.5 m/min (vertical component of travel speed), respectively.

#### **J-5.4.6 Lifts**

Lifts meeting the following requirements shall be counted as one of the means of egress in stations.

##### **J-5.4.6.1 Capacity of lifts**

Where lifts are counted as contributing to the means of egress capacity,

- a) lifts shall have minimum 60 min fire resistance rating;
- b) they shall account for no more than 50 percent of the required egress capacity;
- c) at least one lift shall be considered out of service, and one lift shall be reserved for fire service; and
- d) the capacity of each lift shall be the carrying capacity of the lifts within 30 min.

##### **J-5.4.6.2 Holding area for lifts**

Lifts counted as one of the means of egress from any level of a station shall be accessed through holding areas or lobbies at that level, which shall be designed as follows:

- a) The holding areas or lobbies shall be separated from the platform by a smoke tight fire separation having a fire resistance rating of at least 60 min but not less than the time required to evacuate the holding area occupant load.

- b) At least one stair shall be accessible from the holding area.
- c) The holding area shall be sized to accommodate one person per 0.2 m<sup>2</sup>.
- d) If the holding area includes portions of the platform, the area within 600 mm of the trainway shall not be considered in the calculation.
- e) Upon activation of smoke control in the platform or adjacent trainway areas, the holding area shall be pressurized to a minimum of 25 Pa.
- f) The holding area shall be provided with emergency voice alarm devices with two-way communication to the system operations control centre.

##### **J-5.4.6.3 Design features of lifts**

Lifts counted as one of the means of egress shall be designed as follows:

- a) Shaft enclosures shall be constructed as fire separations having a 120 min fire resistance rating.
- b) The design shall limit water flow into the shaft.
- c) No more than two lifts used for means of egress or fire department access shall share the same machine room or lifts pit.
- d) Machine rooms shall be separated from each other by fire separation having a minimum fire resistance rating of 120 min.
- e) The lifts shall be connected to back-up power supply.
- f) During emergency evacuation, the lifts shall travel only between the incident level and a point of safety.

##### **J-5.4.7 Doors and Gates**

The egress capacity for doors and gates in a means of egress serving public areas shall be computed as,

- a) 60 people per minute (p/min) for single leaf doors and gates,
- b) 0.082 people/mm-min for bi-parting multi-leaf doors and gates measured for the clear width dimension, and
- c) gates in a means of egress shall be designed in accordance with the requirements for doors serving as a means of egress.

##### **J-5.4.8 Fare Barriers**

- a) Fare barriers complying with following provisions shall be permitted in the means of egress serving the stations. Such barriers shall be designed to release, permitting unimpeded

travel in the direction of egress under all the following conditions:

- 1) Power failure or ground fault condition,
  - 2) Activation of the station fire alarm signal, and
  - 3) Manual activation from a switch in a constantly attended location in the station or operations control centre.
- b) Fare barriers that do not comply with the requirements of **J-5.4.8(a)** shall be permitted in the means of egress where barriers in the equipment are designed to provide egress when a horizontal force not exceeding 66 N is applied in the egress direction.
- c) Gate-type fare barriers in the means of egress shall meet the following criteria:
- 1) Each unit shall provide a minimum of 450 mm clear width at and below a height of 1 000 mm and 530 mm clear width above that height.
  - 2) Each unit shall be credited with a capacity of 50 p/min for egress calculations.
  - 3) Fare barriers shall be designed so that their failure to operate properly will not prohibit movement of passengers in the direction of emergency egress.

#### **J-5.4.9** *Horizontal Exits*

Horizontal exits shall be permitted for up to 100 percent of the number of horizontal exits and required egress capacity provided that not more than 50 percent of the number and required capacity is into a single building and provided they comply with the following provisions:

- a) Width of the horizontal exit shall at least be same as that of the exit doorways;
- b) A horizontal exit shall be equipped with at least one fire/smoke door of minimum 60 min fire resistance, of self-closing type. Further, it should have direct connectivity to the egress staircase for evacuation.
- c) Where there is a difference in level between connected areas for horizontal exits, ramps, slope not more than 1 in 12 shall be provided.
- d) Doors in horizontal exits shall be able to open at all times from both sides.

#### **J-5.4.10** *Platform Screen and Edge Door*

Horizontal sliding platform screen or platform edge doors shall be permitted to separate the platform from the trainway in stations provided that the doors permit emergency egress from the train to the platform regardless of the stopping position of the train; and the doors provide egress when a force not exceeding 220 N

is applied from the train side of the doors. The doors shall be designed to withstand positive and negative pressures caused by passing trains.

#### **J-5.4.11** *Access for Fire Brigade Personnel*

A dedicated access staircase for firemen shall be provided in each underground station. This access shall be arranged so as to provide uninterrupted access from ground level to station concourse and platform levels. If continuous access is not feasible, smoke sealed lobbies shall be provided at concourse or other intermediate levels and such lobbies shall be protected with fire doors of adequate rating. Firemen staircases shall be maintained under positive pressure at all times.

**J-5.4.12** Emergency and escape lighting and illumination of means of all exits shall comply with the various provisions under **3.4.7** in all respects.

### **J-6 FIRE SEPARATION AND COMPARTMENTATION**

**J-6.1** Fire compartments shall be provided in transit stations in accordance with the provisions of this Section. Fire ratings of various occupancies within open stations and enclosed stations shall be as indicated in Table 27.

**J-6.2** Further transit station shall be divided into fire compartments by means of compartment walls and compartment floors by a fire separation of at least 120 min between following occupancies:

- a) Public areas and non-public areas,
- b) Transit and non-transit areas, and
- c) Ancillary areas located beneath and within 3 m of the trainway in open stations

**J-6.3** No fire separation shall be required for occupancies like ticketing offices, toilets, other offices and the like.

**J-6.4** Incidental kiosks inside stations for other purposes like commercial use, etc shall be fire separated (120 min rating) from the station building, if areas occupied by such occupancies exceed 6 m<sup>2</sup>.

#### **J-6.5** *Fire Doors*

Fire doors shall comply with the following requirements:

- a) Fire doors shall be constructed of non-combustible material having appropriate fire resistance, and two fire doors may be fitted in an opening if each door by itself is capable of closing the opening and the two doors together achieve the required level of fire resistance.
- b) All fire doors shall be fitted with an automatic self-closing device, of same fire rating as of the door, which is capable of closing the door



**Table 27 Fire Ratings for Mass Rapid Transit Station Occupancies**  
(Clause J-6.1)

Sl No.	Occupancies	Fire Rating of Enclosures <sup>h</sup>		Fire Rating of Doors <sup>h</sup>	
		Open Station	Enclosed Station	Open Station	Enclosed Station
(1)	(2)	(3)	(4)	(5)	(6)
i)	Auxiliary substation, electrical UPS/battery room	2	3	1.5	3
ii)	Signalling equipment room, telecom equipment room, S&T (signalling and train control) UPS/battery room, electrical cable shafts, S&T cable shafts	2	2	1.5	1.5
iii)	Environmental control system (ECS) plant room, tunnel ventilation room, firemen's staircase, emergency equipment store, CDMA room, GSM room, sewage ejector room, sump pump room, chiller plant room, pump room, DG panel room	2	2	1.5	1.5
iv)	Station manager room, cash and ticket supervisor room, security room, stores, cleaners room, refuse storage, toilets, plumbing shafts, staff mess rooms, distribution board room and the like.	1	2	0.5	1.5

- from any angle and against any latch fitted to the door.
- c) Any fire door fitted within an opening which is provided as a means of escape shall be capable of being opened manually, not be held open by any means other than by an electromagnetic or electro-mechanical device which can be activated by the presence of smoke and/or the fire alarm system, provided that this shall not apply in the case of fire doors opening into pressurised exit staircases.

**J-6.6 Smoke Compartmentation**

- a) Smoke compartments shall be created to ensure that in case of a fire scenario, the escape routes are not full of smoke and a safe passage is provided to fire fighters to reach fire location.
- b) Smoke barriers shall be provided within the ceiling at platform and concourse levels at locations and spacing as determined by the engineering analysis and shall be designed to withstand temperatures up to 250°C for 60 min.
- c) Smoke barriers shall also be provided around all openings containing staircases, escalators and lifts in public areas connecting platform to levels above or below them.
- d) All smoke compartments created within the station areas shall be designed with segregated smoke extraction systems.

**J-7 OTHER SPECIFICS REGARDING SAFETY REQUIREMENTS**

- a) Materials used as interior wall and ceiling and other decorative features in enclosed stations shall be non-combustible.

- b) For protection against intrusion of flammable and combustible liquids and flooding of underground transit systems, any structure including emergency egress or access stairs or vent or fan shaft structure utilized for ventilation of underground system shall be permitted to be terminated at grade, provided that the level at which it is terminated is at least 450 mm above the surrounding ground level/footpath level.
- c) Emergency ventilation fans, their motors, and all related components exposed to the exhaust airflow shall be designed to operate in an ambient atmosphere of 250°C for a minimum of 60 min.
- d) Operation of the emergency ventilation system components shall be initiated from the central supervising station.
- e) All types of kiosks like ticketing booth, information counter, commercial, if any, etc, shall be constructed with non-combustible materials.
- f) Enclosed stations shall be provided with back-up power connected to lighting, protective signalling systems, emergency communication system, and fire command centre.
- g) Emergency lighting shall be provided throughout the station as per 3.4.7.1.
- h) Voice evacuation/public address system shall be provided throughout the station, and ancillary buildings as per requirements.
- j) Equipment rooms shall be protected by fire suppression systems as per relevant standards.
- k) Emergency command centres and emergency response procedures shall be in place.



- m) Evacuation shall take place under the guidance and control of authorized, trained system employees or other authorized personnel as warranted under an emergency situation.
- n) Adequate warning signs, directional signs, exit signs shall be provided throughout the facility.

## **J-8 BACK-UP OR EMERGENCY POWER SUPPLY**

The back-up/emergency power supply shall have a capacity to cater all critical loads such as emergency lighting, protective signalling system, communication system, fire station and control room, lifts providing required egress capacity, etc.

## **J-9 FIRE PROTECTION FACILITIES**

The following requirements shall apply to all open and enclosed metro stations above grade. Provisions for underground stations are not covered hereunder.

### **J-9.1 Details of Protection and Facilities Required**

#### **J-9.1.1 Pumping Arrangements**

Each station shall be provided with two pumps having a minimum discharge of 1 620 litre/min with different prime movers. It is possible to provide two electrically driven pumps, if assured back-up power is available for driving the pumps. Jockey pump having a capacity of 180 litre/min shall also be provided to take care of minor system leakages. Electrical wiring for the pumps shall be routed from outside the station buildings in any case (*see also J-9.1.9*).

#### **J-9.1.2 Extinguishers**

- a) Water CO<sub>2</sub> type, CO<sub>2</sub>/ABC types, shall be provided in each platform and distributed in such a way that extinguisher is available within a travel distance of 30 m from any point.
- b) Water CO<sub>2</sub> type, CO<sub>2</sub>/ABC types, shall be provided in each concourse for every 300 m<sup>2</sup> floor area and distributed in such a way that extinguisher is available within a travel distance of 30 m from any point.
- c) At least one extinguisher shall be provided for each equipment room and other enclosures for every 300 m<sup>2</sup> floor area.

#### **J-9.1.3 Small Bore Hose Reels**

- a) One hose reel shall be provided for every 1 000 m<sup>2</sup> floor area of station platform or part thereof subject to a travel distance of 45 m to the nearest hose reel.
- b) One hose reel shall be provided for every 1 000 m<sup>2</sup> floor area concourse or part thereof subject to a travel distance of 45 m to the

nearest hose reel.

- c) If equipment rooms are covered with hose reels for concourse and platform, it is acceptable.

#### **J-9.1.4 Fire Alarm System**

- a) Provisions of detection system shall be purely based on judgement in metro stations. Detectors are required to be provided only in areas where there are false ceiling(s), false floor(s) and areas for equipment rooms. Wherever there are false ceilings, the detectors shall be provided both above and below false ceiling giving due consideration to depth of false ceiling/flooring. However, in concourse, the detectors below false ceiling may not be effective due to heights/cross ventilation and therefore may not be provided. In other areas, because of high heights and cross-ventilations, detectors will not be effective and hence they can be dispensed. A conventional detection system shall suffice at a normal station.
- b) Manual call station(s) shall be provided at central location(s) on each platform (near emergency plunger) and at least two on the concourse, on each sidewall. When the concourse is in two halves, at least one manual call station shall be provided on each side.

#### **J-9.1.5 Clean Agent Suppression System**

Main panels like HT, LT and main power distribution, DG change over and main supply panels for the station shall be protected with the above system. Suitable detection mechanism shall be provided for triggering the system automatically.

#### **J-9.1.6 Provision of Hydrants and Wet Risers**

- a) Minimum two hydrants shall be provided at each platform with hose box containing two lengths of hose pipes 15 m each with a nozzle (coverage about 45 m). Location of hydrants shall be staggered for better coverage. The hydrants shall cover the entire length of the platform when two hose pipes are coupled to the landing valves and used. If not fully covered, additional hydrant(s) shall be provided.
- b) Minimum two hydrants shall be provided for each concourse with hose box containing two lengths of hose pipes 15 m each with a nozzle subject to travel distance of 30 m to reach the nearest hydrant. Commercial areas, if any, shall also be covered with the provision of hydrants as stated above. If equipment rooms

and other areas are covered within 30 m of the hydrants, the same are acceptable.

- c) Hydrants shall be provided at each entry to the station at ground and upper levels near staircase. At least one hydrant for parking area shall be provided subject to a travel distance of 30 m to the nearest hydrant.

**J-9.1.7 Automatic Sprinkler System**

Sprinklers are required to be provided only in the commercial areas and any combustible storage area within the station (*see also J-9.1.9*).

**J-9.1.8 Water Requirement**

- a) For stand-alone metro stations, exclusive water requirement for the fire protection system for the installed pumping capacity as

stated in **J-9.1.1** shall be at least 50 000 litre.

- b) However, when commercial areas are present within metro stations, firefighting facilities shall need augmentation as in **J-9.1.9**.

**J-9.1.9** In case of other type of occupancy like commercial areas inside metro stations and combustible storage area, if any within the station, the pumping/ water requirements shall be provided as per the Table 28.

Water capacity stated in the Table 28 shall be stored in two equal and interconnected compartments. Size of the main header shall not be less than 150 mm in all cases.

Entire fire protection system shall be designed and installed as per the relevant Indian Standards.

**Table 28 Water Capacity**  
(Clause J-9.1.9)

Sl No.	Area Occupied by Commercial Occupancies m <sup>2</sup>	Hydrant Pump Capacity litre/min	Sprinkler Pump Capacity litre/min	Jockey Pumps litre/min	Common Standby Pump litre/min	Water Capacity litre
(1)	(2)	(3)	(4)	(5)	(6)	(7)
i)	Up to and including 300	← 2 280 (Common pump) →		180	2 280	75 000
ii)	More than 300 and up to 1 000	← 2 850 (Common pump) →		180	2 850	100 000
iii)	More than 1 000	2 850	2 850	180 each	2 850	200 000

**ANNEX K**

(Clause 6.4.4)

**FIRE AND LIFE SAFETY REQUIREMENTS FOR METRO TRAINWAYS**

**K-1 APPLICATION**

Provisions of this annex shall apply to all portions of underground, elevated and at-grade metro trainway including tail buffer tracks and sidings not intended to be occupied by the passengers. These provisions may be amended, if required, as per the approval of the Competent Authority.

**K-2 USE AND OCCUPANCY**

**K-2.1** Passengers shall be allowed to enter the trainway only in the case it becomes necessary to evacuate a train.

**K-2.2** Passenger evacuation from train onto the

trainway shall take place only under the guidance and control of authorized, trained system employee or other authorized personnel as warranted under an emergency situation.

**K-2.3** Warning signs in accordance with **K-4.4.1** shall be posted at locations where unauthorized personnel might trespass.

**K-3 CONSTRUCTION**

**K-3.1 Construction Type**

**K-3.1.1 Cut and Cover**

Where trainways are to be constructed by cut and cover method, perimeter walls, base and roof slabs and other

related constructions shall be of not less than Type 1 or Type 2 or combination of Types 1 and 2 non-combustible constructions as defined in this Part. The type of construction shall be further determined by an engineering analysis of potential fire exposure hazards to the structure.

#### **K-3.1.2 Bored Tunnels**

Where trainway sections are to be constructed by a tunnelling method through earth, unprotected steel liners, reinforced concrete, shotcrete, or equivalent shall be permitted to be used.

#### **K-3.1.3 Rock Tunnels**

Where trainway sections are to be constructed by a tunnelling method through rock, steel bents with concrete liner, if lining is required, shall be permitted to be used.

#### **K-3.1.4 Underwater Tunnels**

Underwater tunnels shall be not less than Type 2 constructions.

#### **K-3.1.5 Mid Tunnel Ventilation Shaft and Trainway Exit structures**

Mid tunnel ventilation shafts and trainway emergency egress or access stairs shall not be less than Type 1 construction.

#### **K-3.1.6 At-Grade Construction**

Materials used for at-grade construction shall not be less than Type 2 materials. The type of construction shall be further determined by an engineering analysis of potential fire exposure hazards to the structure.

#### **K-3.1.7 Elevated Viaduct or Portals**

All elevated structures necessary for trainway support and all structures and enclosures on or under the trainway shall be of not less than Type 1 or Type 2 or combination of Type 1 and Type 2 construction. The type of construction shall be further determined by an engineering analysis of potential fire exposure hazards to the structure.

### **K-3.2 Protection against Intrusion of Flammable and Combustible Liquids and Flooding of Enclosed Trainway**

Any structure including emergency egress or access stairs or vent or fan shaft structure utilized for ventilation of underground system shall be permitted to be terminated at grade, provided that the level at which it is terminated is at least 450 mm above the surrounding ground level/footpath level.

### **K-3.3 Compartmentation**

**K-3.3.1** Ancillary areas shall be separated from

trainway areas within underwater trainway sections by construction having a minimum 180 min fire resistance rating.

**K-3.3.2** Ancillary areas shall be separated from trainway areas within enclosed trainway sections by construction having a minimum 120 min fire resistance rating.

### **K-3.4 Combustible Components**

Where combustible components not specifically mentioned here are installed in a trainway, a fire hazard analysis shall be conducted to determine that the level of occupant fire safety is not adversely affected by the contents.

### **K-3.5 Walking Surfaces**

Walking surfaces designated for evacuation of passengers shall be constructed of non-combustible materials.

## **K-4 EMERGENCY EGRESS**

### **K-4.1 Location of Egress Routes**

**K-4.1.1** The system shall incorporate a walking surface or other approved means for passengers to evacuate a train at any point along the trainway so that they can proceed to the nearest station or other point of safety.

**K-4.1.2** Walkway continuity shall be maintained at special track sections like cross over or pocket tracks. Walkway continuity shall be provided by cross walks at track level.

**K-4.1.3** Within enclosed trainways, the maximum distance between emergency exits/exit stairways shall not exceed 750 m.

**K-4.1.4** For trainways in twin bore tunnels or trainways in a tunnel divided by a minimum 120 min fire rated wall separation, cross-passageways shall be permitted to be used *in-lieu* of emergency exit stairways.

**K-4.1.5** Where cross passageways are utilized *in-lieu* of emergency exit stairways, the following requirements shall apply:

- a) First cross-passageway shall be provided not farther than 500 m from the end of platform of an enclosed station or from the tunnel portal or from a mid-tunnel exit way.
- b) Distance between any two cross-passageways shall not be more than 250 m.
- c) The crossover in an enclosed trainway shall be considered as cross-passageway. The distance between crossover and subsequent cross-passageway shall not be more than 250 m.

- d) Cross-passageways shall be separated from each trainway with separate self-closing fire door assemblies having a fire protection rating of minimum 90 min.
- e) A tenable environment shall be maintained in the portion of the trainway that is not involved in an emergency and that is being used for evacuation.
- f) A ventilation system for the incident trainway shall be designed to control smoke in the vicinity of the passengers.
- g) Provisions shall be made for evacuating passengers *via* the non-incident trainway to a nearby station or other emergency exit.
- h) The provisions shall include measures to protect passengers evacuating from non-incident tunnel from oncoming traffic and from other hazards.
- j) Where cross-passageways are used *in-lieu* of emergency exit stairways, the interior of the cross-passage shall not be used for any purpose other than as an area of refuge or for access/egress to the opposite tunnel, except for installation of non-combustible equipment inside the cross passageways, provided that such equipment does not infringe the required clear space of the cross-passage.

**K-4.1.6 Level of Cross Passage**

The level of cross-passage inside the tunnel shall be designed in accordance to the following requirements:

- a) In trainways where passengers have to walk on the track bed during evacuation, the floor of the cross-passages in such trainways shall be kept close to the level of the track bed. The maximum permitted level difference between the level of track bed and the floor of the cross passage shall be 250 mm. Further, a smooth surface for transition of level difference shall be provided at such cross-passages.
- b) In trainways where passengers have to walk on a walkway mounted at the level of the train floor during evacuation, the floor of the cross-passages in such trainways shall be kept in level with the walkway. Further, such walkways shall always be provided on the cross-passageway side of the trainway for unobstructed access to the cross-passageway.

**K-4.1.7** For open-cut trainways, an engineering analysis shall be conducted to evaluate the impact of the trainway configuration on safe egress from a train fire to a point of safety.

**K-4.1.8** Where the engineering analysis indicates that the configuration will impact tenability beyond the immediate vicinity of the fire, egress routes shall be provided such that the maximum distance from any point within the open-cut section to a point of egress from the trainway shall not be more than 380 m.

**K-4.1.9** All the distances mentioned in **K-4.1.3**, **K-4.1.5** and **K-4.1.8** shall be permitted with a maximum variation of  $^{+10}_0$  percent.

**K-4.2 Size of Egress Routes**

**K-4.2.1** Cross-passageways shall be a minimum of 1 200 mm in clear width and 2 100 mm in height.

**K-4.2.2** The width of exit stairs shall not be required to exceed 1 200 mm for enclosed trainways.

**K-4.2.3** If double leaf doors wider than 1 200 mm are provided in egress routes serving trainways, then size of active leaf shall not be less than 810 mm.

**K-4.3 Egress Components**

**K-4.3.1** Walking surfaces serving as egress routes within guide ways shall have a uniform, slip-resistant design except as permitted herein.

- a) Where the trainway track bed serves as the emergency egress pathway, it shall be nominally level and free of obstructions.
- b) Walkways that are more than 750 mm above the floor or grade below shall be provided with a continuous handrail along the side opposite the trainway.
- c) Raised walkways that are greater than 1 200 mm wide and located between two trainways shall not be required to have a handrail.
- d) Doors in the means of egress, except cross-passageway doors, shall open in the direction of exit travel.
- e) Doors in the means of egress shall,
  - 1) open fully when a force not exceeding 220 N is applied to the latch side of the door, and
  - 2) be adequate to withstand positive and negative pressures caused by passing trains and the emergency ventilation system.

**K-4.3.2** Horizontal sliding doors shall be permitted in cross-passageways.

**K-4.4 Signage, Illumination and Emergency Lighting**

**K-4.4.1** Warning signs posted on entrances to the

trainway and on fences or barriers adjacent to the trainway shall clearly state the hazard (for example, DANGER: HIGH VOLTAGE — 25 000 V) with letter sizes and colours in conformance with requirements of *Metro Railway Rules*.

**K-4.4.2** System egress points shall be illuminated.

**K-4.4.3** Points of exit from elevated and enclosed trainways shall be marked with internally or externally illuminated signs.

**K-4.4.4 Identification**

Emergency exit facilities shall be identified and maintained to allow for their intended use.

**K-4.4.5** Enclosed trainways greater in length than the minimum length of one train shall be provided with directional signs as appropriate for the emergency procedures developed for the metro system.

**K-4.4.6** Directional signs indicating station or portal directions shall be installed at maximum 25 m intervals on either side of the enclosed trainways.

**K-4.4.7** Directional signs shall be readily visible by passengers for emergency evacuation.

**K-5 FIRE PROTECTION AND LIFE SAFETY SYSTEMS**

**K-5.1 Emergency Access**

**K-5.1** Except as described herein, points of egress and

exits from the guide way shall serve as emergency access routes.

**K-5.2** If security fences are used along the trainway, access gates shall be provided in security fences.

**K-5.3** Access gates shall be a minimum 1 200 mm wide and shall be of the hinged or sliding type.

**K-5.4** Access gates shall be placed as close as practicable to the portals to permit easy access to tunnels.

**K-5.5** Information that clearly identifies the route and location of each gate shall be provided on the gates or adjacent thereto.

**K-5.6** Access to the elevated trainway shall be from stations or by mobile ladder equipment from roadways adjacent to the track way.

**K-5.7** If no adjacent or crossing roadways exist for the elevated trainway, access roads at a maximum of 750 m intervals shall be required.

**K-5.8** Where the configuration of an open-cut trainway prevents or impedes access for firefighting, provisions shall be made to permit fire fighter access to that section of trainway at intervals not exceeding 750 m.

**K-5.9** All the distances mentioned in **K-5.7** and **K-5.8** above shall be permitted with a maximum variation of  $^{+10}_0$  percent.

**ANNEX M**

(Clause 6.7.3)

**FIRE PROTECTION CONSIDERATIONS FOR VENTING IN INDUSTRIAL BUILDINGS**

**M-1 APPLICATION**

**M-1.1** The provisions given below are applicable only to single storey industrial buildings (factories and storage buildings) covering large floor areas without sub-dividing/separating walls which are usually designed to meet modern production methods.

**M-1.2** The requirements of fire and explosion venting of industrial buildings, as dealt with in this section, fall under two categories:

- a) Smoke and fire venting, and
- b) Explosion relief vents.

**M-2 SMOKE AND FIRE VENTING**

**M-2.1** The basic considerations for formulating the design and other requirements for smoke and fire vents are as given in **M-2.1.1** to **M-2.1.20**.

**M-2.1.1** The smoke and hot combustion products from a fire, being lighter than the surrounding air, tend to rise, and on reaching the roof or ceiling spread out (mushroom) on all sides and form a layer which floats on top of the cold air beneath. In the absence of vents, this layer becomes progressively deeper until the whole building is filled with hot smoky gases. The time consumed for this to happen may be only a few minutes, depending on variables like, type of materials on fire, process/storage conditions involved, etc.



**M-2.1.2** The hot gases at the roof level moved by convection currents contribute to rapid lateral spread of fire.

**M-2.1.3** The provision of properly designed and suitably located vents in adequate number helps the speedy removal of smoke and hot gases, thereby preventing spread of fire, besides reducing risks of explosion of unburnt gases and reducing damage to the contents and structure of the building by heat and smoke. In addition, they facilitate firefighting operations, and minimise personal hazards to the firemen.

**M-2.1.4** The time taken for accumulation of smoke and hot gases within a building on fire being very short, the venting devices installed shall be designed to operate in the early stage of the fire and must be automatic so as to ensure speed and efficiency in their operation.

**M-2.1.5** The smoke and fire venting system shall be designed in such a manner as to keep the temperature of the combustion products from the fire as low as possible, preferably below approximately 150°C.

**M-2.1.6** Automatic venting systems are complementary to the fire extinguishing systems, and automatic sprinklers, where provided, should operate before the operation of the vents; otherwise, venting may delay sprinkler operation.

**M-2.1.7** It is easier to vent a building of smoke than clear it of smoke once it has been filled.

**M-2.1.8** Venting is particularly desirable in large area industrial buildings or warehouses, windowless buildings, underground structures or in areas housing hazardous operations. Automatic fire vents shall be provided for all industrial occupancies (including storage buildings) classified as medium hazard or above having floor areas exceeding 750 m<sup>2</sup>, irrespective of whether they are compartmentalized or not.

**M-2.1.9** These provisions do not cover other aspects, of ventilation (or lighting) designed for regulation of temperature within a building for personal comfort or meeting process needs.

**M-2.1.10** Similarly, fire and smoke venting requirements as given here under are also not applicable to multi-storeyed buildings, as their requirements are different and more complex.

**M-2.1.11** It is difficult to determine precise venting requirements on account of the many variables involved. For instance, the rate of combustion varies appreciably according to the nature, shape, size and packaging of the combustible materials as well as the size, height and disposition of the stacks of materials.

**M-2.1.12** In industrial buildings of floor area less than 750 m<sup>2</sup> and used as low fire hazard occupancies, conventional ventilators fitted high up near the eaves of the external walls may serve as vents for smoke and hot gases, provided care is taken to ensure that they are kept open at all times or are designed to open automatically in case of fire.

**M-2.1.13** Extinction of fires by closing the doors and windows is not likely in the case of industrial buildings because of their large size, where sufficient air to sustain the fire at least in the initial stages can be expected to be present.

**M-2.1.14** Of the two types of building ventilation, namely, vertical and horizontal, vertical ventilation is the one commonly adopted in the case of single storey industrial buildings.

**M-2.1.15** Since 70 to 80 percent of heat produced in a fire is convective heat, the ventilation system has to be suitably designed to ensure early outflow of the heat and thereby minimise fire spread.

**M-2.1.16** Combustible roof linings shall be avoided, as they themselves will contribute to the spread of fire, thereby multiplying the venting problems.

**M-2.1.17** A wind blowing across a flat roof or a roof with a pitch under 40° produces a negative pressure, that is, it tends to draw gases out of the building and so aids venting of hot gases. Wind blowing across a roof of pitch greater than 40° will draw gases out on the leeward side, but oppose outward flow on the windward side of the roof.

**M-2.1.18** For vents to work at full efficiency, the area of the inlets for cold air entering the compartment must equal at least the total area of the vents. Ideally, the inlets shall be as close to the ground as possible.

**M-2.1.19** Where roof vents are installed in a single-storey building any neighbouring buildings, particularly those of more than one storey, will be subject to some degree of exposure hazard either from flying birds or radiation, or both, as a result.

**M-2.1.20** If vents are to be installed, the size, design, number and disposition of the vents and the associated roof screens/curtain boards have to be assessed after careful analysis of the various factors stated under **M-2.1.11**, as well as other related factors like type of building construction, nature and height of roof, process hazards, exposure hazard, etc.

## **M-2.2 Venting Area**

**M-2.2.1** The estimated requirements for ventilation are largely based on the assumed build-up of the fire from the time of initial outbreak to the time of effective fire fighting action by fire brigade.

**M-2.2.2** The vent area required to be provided shall be approximately proportional to the perimeter of the fire area, because the entrained air forms the bulk of the vented gases.

**M-2.2.3** The effective area shall be the minimum cross-sectional area through which the hot gases must flow out to the atmosphere.

**M-2.2.4** No consideration shall be given to the increased air movement obtained by power operated fans, since it must be assumed that in the event of fire, power will be interrupted, or fans damaged by heat.

**M-2.2.5** The total vent areas to be provided shall be as per the following ratios of effective area of vent openings to floor area for various occupancy classifications indicated:

- a) Low heat release content — 1 : 150  
(Sub-division G-1)
- b) Moderate heat release — 1 : 100  
content (Sub-division G-2)
- c) High heat release — 1 : 30 to 1 : 50  
content (Sub-division G-3)

### M-2.3 Types of Vents

**M-2.3.1** Venting shall be accomplished by any of the types such as monitors continuous gravity vents, unit type vents or sawtooth roof skylights.

**M-2.3.2** Where monitor type vents are installed, wire glass or metal panels shall be used only if the sash is arranged to open automatically.

**M-2.3.3** The use of plain thin glass for venting shall be avoided on account of its unpredictable behaviour during fire. However, if glass or other suitable plastic sheet materials with early disintegration characteristics are used, they should be designed for automatic operation.

**M-2.3.4** Where monitors or unit type vents are used, the panels shall be hinged at the bottom and designed to open automatically. Both sides of the vents shall be designed to vent simultaneously to ensure that their effectiveness at the time of fire is not in any way impeded by wind direction.

**M-2.3.5** Where movable shutters are provided for continuous gravity vents, these shall open automatically in the event of fire.

**M-2.3.6** Unit type vents shall be of relatively small area, ranging between 1 m<sup>2</sup> and 9 m<sup>2</sup>, having light weight metal frames and housing with hinged dampers which shall be designed for both manual and automatic operation.

**M-2.3.7** Sawtooth roof skylight shall be considered as

satisfactory for venting purposes only when designed for automatic operation.

**M-2.3.8** Likewise, exterior wall windows shall not be reckoned as satisfactory means for venting of fire gases and smoke in industrial buildings. However, they may be reckoned as additional means of venting when, they are located close to the eaves and are provided with ordinary glass or movable sash arranged for both manual and automatic operation.

**M-2.3.9** Baffles shall not be installed inside vents, as they greatly reduce the effective area for venting.

### M-2.4 Vent Operation

**M-2.4.1** The vents shall be automatic in operation, unless where specified in these provisions that they shall be designed for both manual and automatic operation.

**M-2.4.2** The release mechanism shall be simple for operation and independent of electrical power, since electrical services may be interrupted by fire.

**M-2.4.3** The automatic operation of vents shall be achieved by actuation of fusible links or other types of heat and smoke detectors, or by interlocking with operation of sprinkler system or any other automatic fire extinguishing system covering the area. Following their release, the vents shall be designed to open by a system of counterweights and associated equipment utilizing the force of gravity or spring loaded levers.

**M-2.4.4** Automatic fire alarm system, where installed, shall be coupled to the automatic vents to ensure simultaneous operation.

**M-2.4.5** Automatic sprinklers, where installed, shall operate before the vents open order to avoid any likely delay in sprinkler operation. However, heat actuated devices used for vent release shall be suitably shielded from sprinkler discharge so that water does not delay their action. Further, provision of operating the vents manually may also be provided.

**M-2.4.6** Premises where height of roof apex is 10 m or more or where the materials handled or stored have high smoke producing characteristics, in addition to fusible links, the vent release mechanism shall be interlinked to smoke actuated automatic fire detectors to ensure early operation of vents.

**M-2.4.7** Non-corrosive materials shall be used for hinges, hatches and other related parts to ensure long fail-safe operation of the vents.

**M-2.4.8** In case of any doubts regarding the types of vents required to be installed for any particular occupancy, authorities having jurisdiction shall be consulted.

**M-2.5 Size, Spacing and Disposition of Vents**

**M-2.5.1** Vents shall be correctly sited to ensure their functional efficiency. Ideally, they shall be sited at the highest point in each area to be covered.

**M-2.5.2** They shall, as far as possible, be located immediately above the risk to be protected so as to allow free and speedy removal of smoke and other combustion products in the event of fire.

**M-2.5.3** The minimum dimension for an effective vent opening shall be not less than 1.25 m in any direction.

**M-2.5.4** The spacing of the individual vent shall be based on the principle that more number of well distributed smaller vents are more effective than fewer number of badly located larger vents.

**M-2.5.5** The maximum spacing between vents for the three occupancy classifications shall be as follows:

- |                                  |  |
|----------------------------------|--|
| a) Low heat release content      | : 45 m between centres   |
| b) Moderate heat release content | : 36 to 37 m between centres   |
| c) High heat release content     | : 22.5 to 30 m between centres, depending on the severity of fire potential. |

**M-2.5.6** Vents shall be placed in a sheltered situation where advantage can be taken of the prevailing wind. The design of the vent shall be such as to produce a suction effect. A wind blowing across a flat roof or one with a pitch of 40° produces a negative pressure, that is, it tends to draw gases out of the building and so aids venting of hot gases. Wind blowing across a roof of pitch greater than 40° will draw gases out of the leeward side, but oppose outward flow on the windward side of the roof.

**M-2.5.7** Low level inlets, with total area not less than the total area of vents, shall be provided to permit outside air to be drawn in to aid automatic venting. These inlets, which may be in the form of doors, windows or such other openings, shall be designed for manual operation when desired.

**M-2.6 Roof Screens or Curtain Boards**

**M-2.6.1** Industrial buildings with large areas and having no subdivision/separating walls limiting the area of individual compartments to 750 m<sup>2</sup> or less, shall be provided with roof screens or curtain boards.

These screens which extend from the roof downwards at specific intervals not only prevent lateral spread of heat and smoke in the event of fire below, but

substantially assist in early operation of automatic sprinklers and vents.

**M-2.6.2** They shall be of sheet metal or any other substantially non-combustible material strong enough to withstand damage by heat or impact.

**M-2.6.3** They shall be reasonably gas-tight, although small openings for passage of pipes, conduits, etc, shall be permitted.

**M-2.6.4** They shall extend down from the roof/ceiling for a minimum depth of 2.2 m. Around specific hazards, the depth shall be 4 m. Where roof/ceiling height exceeds 15 m they shall extend down to within 3 m of the floor. For pitched sawtoothed roofs, they shall extend down to truss level dividing the roof into compartments.

**M-2.6.5** In moderate hazard occupancies, the distance between the screens/curtain boards shall not exceed 75 m and the curtained areas shall be limited to a maximum of 4 500 m<sup>2</sup>.

**M-2.6.6** In high hazard occupancies, the distance between screens shall not exceed 30 m and the curtained area shall be limited to 750 m<sup>2</sup>.

**M-2.6.7** The curtained roof area shall be so arranged that they effectively aid in the venting of smoke and hot gases through the automatic vents provided in each area.

**M-2.6.8** In sprinklered buildings, the screens shall preferably be so located as to coincide with the individual sprinkler system areas.

**M-3 EXPLOSION RELIEF VENTS**

**M-3.1** Industrial premises where combustible dusts can accumulate or where flammable gases, vapours or mists in explosive concentrations may be present are constantly exposed to explosion hazards. Pressures developed by such explosions may be of the order of  $7 \times 10^5$  Pa and ordinary buildings will not be able to withstand the shock of such pressures. Hence, such buildings require explosion relief vents for preventing structural damage.

**M-3.2 Basic Principle/Considerations**

**M-3.2.1** Most ordinary building walls will not withstand a sustained internal pressure as great as  $6.9 \times 10^3$  Pa. Hence, explosion relief vents for buildings must be designed to operate at pressures well below those at which the building walls will fail.

**M-3.2.2** There is a rise in pressure during an explosion within an enclosure even with open, unobstructed vents, and any delay in opening the venting devices increases that pressure.

**M-3.2.3** Structural damage can be minimised by locating hazardous operations or equipment outside buildings and cut-off from other operations by a pressure resisting wall. Such isolated processes or equipment shall be housed in single-storey buildings properly vented and a device provided at the inlet of the collector which will prevent an explosion from blowing back through the duct work and into the building.

**M-3.2.4** Where highly hazardous operations cannot be located outside of main buildings they shall be segregated by pressure resisting walls and each such unit shall be ventilated outdoors. External walls may be of heavy construction, if equipped with suitable vents or high weight panels which blow out easily.

**M-3.2.5** Operations or equipment involving explosion hazards shall not be permitted in basements or areas partially below grade.

**M-3.2.6** Fire can be expected to follow an explosion in most occupancies, so that any fixed fire extinguishing equipment, like sprinklers, if installed, shall be such that only the minimum damage is caused to it.

**M-3.2.7** For a given material, the finer the particle size of the dust, the more violent is the explosion. Some materials, such as aluminium powder, hydrogen, and acetylene, are difficult to vent effectively due to the rapid rate of pressure rise. Some slow burning materials, such as coal dust in a confined space, may do much damage because of the longer duration of their presence. Some dusts, such as magnesium, titanium and zirconium and several metal hydrides may react with and ignite in some common inert gases, such as nitrogen and carbon dioxide.

**M-3.2.8** The maximum explosion pressure in a vented structure decreases as the size of the vent increases, but is independent of the rupturing pressure of a diaphragm.

**M-3.2.9** The most effective vent for the release of explosion pressures is an unobstructed vent opening.

**M-3.2.10** Pressure required to rupture diaphragms of the same area and material directly varies with the thickness of the material.

**M-3.2.11** The slower the rate of pressure rise, the more easily can the explosion be vented.

**M-3.2.12** The degree of venting required is directly proportional to the degree of explosion hazard.

**M-3.2.13** Experience has shown that most explosions of dusts, vapours and gases do not involve a large part of the total volume of the enclosure, and frequently occur near the upper or lower limits of the explosive range. Consequently, such explosions are relatively weak compared with the optimum.

**M-3.2.14** Rectangular unrestricted vents are as effective as square vents of equal area.

### **M-3.3 Types of Explosion Relief Vents**

**M-3.3.1** The explosion relief vents shall be any one or more of the following types, depending on individual requirements as assessed by the Authority. Open or unobstructed vents, louvres, open roof vents, hanger type doors, building doors, windows, roof or wall panels or movable fixed sash.

**M-3.3.2** The effect of external wind pressure or suction on these devices shall be taken into consideration while designing and selecting the type of vents, since wind pressures may reach over  $2 \times 10^5$  Pa in severe wind storms.

**M-3.3.3** The type of vent for explosion relief for any occupancy shall be selected with life safety as the primary aim followed by minimum damage to property.

**M-3.3.4** Where large hanger type doors of metal curtain doors in side walls are used as vents, care shall be taken to ensure that they are kept wide open during operations.

**M-3.3.5** Where weather hoods are used to cover roof vents, they shall be as light as possible and lightly attached so as to enable them to be blown off quickly when an explosion occurs.

**M-3.3.6** Doors and windows when used as explosion vents shall be installed to swing outwards. Doors shall have friction, spring or magnetic latches that will function automatically to permit the door to open under slight internal pressure.

**M-3.3.7** Movable sash shall be of the top or bottom hinged or protected type. These shall be equipped with a latch or friction device to prevent accidental opening due to wind action or intrusion. Such latches or locks shall be well maintained.

**M-3.3.8** Fixed sash shall be set in place with very light wall anchorages, or, if tight, shall be securely fitted and glazed with plastic panes in plastic putty.

**M-3.3.9** Where the process is such that the whole of a building or a room may be desirable to arrange for a lightly constructed wall or roof to collapse and thus avert the worst effects of an explosion.

### **M-3.4 Design, Size and Disposition of Vents**

**M-3.4.1** The required area of explosion vents shall ordinarily depend on the expected maximum intensity of an explosion in the occupancy, the strength of the structure, the type of vent closure and other factors.

**M-3.4.2** Venting shall be planned in such a manner as to prevent injury to personnel and damage to exposure.



In congested locations, substantial ducts or diverters shall be provided to direct the blast.

**M-3.4.3** When ductwork is used, the ducts shall be of sufficient strength to withstand the maximum expected explosion pressure.

**M-3.4.4** Where explosions are likely within duct and piping systems, they shall be vented by the use of suitable diaphragms designed to blow out at a predetermined pressure. There shall be no physical connection between ductwork system for more than one collector.

**M-3.4.5** In large structures, the position of vents shall be relative to the point of origin of explosion, when it can be determined.

**M-3.4.6** Where relatively slow explosions involving coal dust, chlorinated solvents, etc, are involved, light, hinged swinging panels may be preferred to diaphragm type of vents.

**M-3.4.7** Obstructions of any kind blocking the vents from the risk covered shall be avoided, particularly where risks of rapid violent explosions are present.

**M-3.4.8** Counter weights add to the inertia of the vents and so shall be avoided.

**M-3.4.9** Various relieving devices, including devices actuated by detonators, shall start to open at as low a pressure as possible. They shall be of light construction, so that full opening can be quickly attained.

**M-3.4.10** Vents shall be of such size and design as to prevent rupture of the protected device or apparatus.

**M-3.4.11** Skylights or monitors with movable sash that will open outwards, or fixed sash containing panes of glass or plastic that will blow out readily under pressure from within, can be used to supplement wall vents or windows, provided resistance to their displacement or opening is kept as low as consistent with the requirements for structural strength.

**M-3.4.12** Flexible plastic sheets when used for vent closures shall be installed in slotted frames in such a way that pressure from within bulges the sheets and releases them from the holding frame.

**M-3.4.13** Fragile sheets made of plastic, when used for vent closures, shall be thin sheets that will crack or rupture under less pressure than single strength glass. For this reason use of transparent or translucent plastic sheets is more advantageous than use of glass in window sash.

**M-3.4.14** If closed vents are used they shall be larger

in area than unenclosed vents to provide equivalent explosion pressure relief.

**M-3.4.15** Small enclosures, such as machines, shall be vented more generously than buildings, because if an explosion occurs in a machine, its entire volume may be involved.

**M-3.4.16** Vents for the protection of buildings and equipment shall be installed on the following basis:

- a) Small enclosures of less than 30 m<sup>3</sup>, machines and ovens of light construction: 1 000 cm<sup>2</sup> for each 0.3 m<sup>3</sup> to 0.9 m<sup>3</sup>.
- b) For small enclosures of more substantial construction having reasonably high bursting strength: 1 000 cm<sup>2</sup> for each 0.9 m<sup>3</sup>.
- c) Fairly large enclosures of 30 to 700 m<sup>3</sup>, such as bins, silos, rooms, storage tanks, etc: 1 000 cm<sup>2</sup> for each 0.9 m<sup>3</sup> to 1.5 m<sup>3</sup>. In these cases, attempt shall be made to the extent possible to predict the likely point of origin of the explosion in relation to the vent.
- d) Large rooms and buildings over 700 m<sup>3</sup> containing hazardous equipment comprising a small fraction of the entire volume:
  - 1) For heavy reinforced concrete, walls: 100 cm<sup>2</sup> for each 2.25 m<sup>3</sup>.
  - 2) For light reinforced concrete, brick or wood construction: 1 000 cm<sup>2</sup> for each 1.65 m<sup>3</sup> to 2.25 m<sup>3</sup>.
  - 3) For lightweight construction such as prefabricated panels: 1 000 cm<sup>2</sup> for each 1.5 m<sup>3</sup> to 1.65 m<sup>3</sup>.
- e) Large rooms or building over 700 m<sup>3</sup> containing hazardous equipment comprising a large part of the entire volume of a room or building shall be vented as generously as possible: 1 000 cm<sup>2</sup> for each 0.3 m<sup>3</sup> to 1.05 m<sup>3</sup>.
- f) In order to obtain these ratios, the size of the building or room must be limited. For some hazardous materials, such as hydrogen, acetylene, carbon disulphide, etc, these limits are extremely low.
- g) Emphasis shall always be placed on segregating hazardous areas by means of firewalls or separating walls to prevent spread of fire.
- h) Interior walls of light construction, such as tile, shall be avoided in hazardous locations, since they can cause injuries to personnel in the event of an explosion.



## LIST OF STANDARDS

The following list records those standards which are acceptable as 'good practice' and 'accepted standards' in the fulfillment of the requirements of the Code. The latest version of a standard shall be adopted at the time of enforcement of the Code. The standards listed may be used by the Authority for conformance with the requirements of the referred clauses in the Code.

In the following list, the number appearing in the first column within parentheses indicates the number of the reference in this Part.

<i>IS No.</i>	<i>Title</i>	<i>IS No.</i>	<i>Title</i>
			and maintenance of water supplies and fire fighting
		3844 : 1989	Code of practice for installation and maintenance of internal fire hydrants and hose reels on premises ( <i>first revision</i> )
(1)	3808 : 1979 Method of test for non-combustibility of building materials ( <i>first revision</i> )	(6)	1646 : 2015 Code of practice for fire safety of buildings (general) : Electrical installations ( <i>third revision</i> )
(2)	IS/ISO 834-1 : 1999 Fire resistance tests — Elements of building construction Part 1 General requirements	(7)	9457 : 2005 Code of practice for safety colours and safety signs ( <i>first revision</i> )
	IS/ISO 834-4 : 2000 Fire resistance tests — Elements of building construction: Part 4 Specific requirements for load bearing vertical separating elements		12349 : 1988 Fire protection — Safety sign
	IS/ISO 834-5 : 2000 Fire resistance tests — Elements of building construction: Part 5 Specific requirements for load bearing horizontal separating elements		12407 : 1988 Graphic symbols for fire protection plans
	IS/ISO 834-6 : 2000 Fire resistance tests — Elements of building constructions: Part 6 Specific requirements for beams	(8)	11360 : 1985 Specification for smoke detectors for use in automatic electrical fire alarm system
	IS/ISO 834-7 : 2000 Fire resistance tests — Elements of building construction: Part 7 Specific requirements for columns	(9)	655 : 2006 Specification for air ducts
	IS/ISO 834-8 : 2003 Fire resistance tests — Elements of building construction: Part 8 Specific requirements for non-load bearing vertical separating elements	(10)	1649 : 1962 Code of practice for design and construction of flues and chimneys for domestic heating appliances ( <i>first revision</i> )
	IS/ISO 834-9 : 2003 Fire resistance tests — Elements of building construction: Part 9 Specific requirements for non-load bearing ceiling elements		1642 : 2013 Code of practice for safety of buildings (general): Details of construction ( <i>second revision</i> )
(3)	8757 : 1999 Glossary of terms associated with fire safety ( <i>first revision</i> )	(11)	12777 : 1989 Method for classification of flame spread of products
	7673 : 2004 Glossary of terms for fire fighting equipment ( <i>first revision</i> )	(12)	1642 : 2013 Code of practice for safety of buildings (general): Details of construction ( <i>second revision</i> )
(4)	8758 : 2013 Code of practice for fire precautionary measures in construction of temporary structures and pandals ( <i>second revision</i> )	(13)	16246 : 2015 Elastomer insulated cables with limited circuit Integrity when affected by fire — Specification
(5)	9668 : 1990 Code of practice for provision	(14)	6044 (Part 1) : 2013 Liquefied petroleum gas storage installations — Code of Practice : Part 1 Residential commercial and industrial cylinder installations
			6044 (Part 2) : 2001 Code of Practice for liquefied petroleum gas storage Installations: Part 2 Commercial, industrial and domestic bulk storage installations
		(15)	2175 : 1988 Specification for heat sensitive fire detectors for use in automatic fire alarm system ( <i>second revision</i> )
			IS/ISO 7240-5 : 2003 Fire detection and alarm systems: Part 5 Point-type heat detectors
			IS/ISO 7240-7 : 2011 Fire detection and alarm systems: Part 7 Point-type smoke detectors using scattered light, transmitted light or ionization

<i>IS No.</i>	<i>Title</i>	<i>IS No.</i>	<i>Title</i>
IS/ISO 7240-11 : 2011	Fire detection and alarm systems: Part 11 Manual call points	926 : 1985	Specification for fireman's axe ( <i>second revision</i> )
IS/ISO 7240-15 : 2004	Fire detection and alarm systems: Part 15 Point-type fire detectors using scattered light, transmitted light or ionization sensor in combination with a heat sensor	927 : 1981	Specification for fire hooks ( <i>second revision</i> )
11360 : 1985	Specification for smoke detectors for use in automatic electrical fire alarm system	928 : 1984	Specification for fire bells ( <i>second revision</i> )
(16) 2189 : 2008	Code of practice for selection, installation and maintenance of automatic fire detection and alarm system ( <i>second revision</i> )	937 : 1981	Specification for washers for water fittings for fire fighting purposes ( <i>second revision</i> )
(17) 636 : 1988	Specification for non-percolating flexible fire fighting delivery hose ( <i>third revision</i> )	939 : 1977	Specification for snatch block for use with fibre rope for fire brigade use ( <i>first revision</i> )
884 : 1985	Specification for first-aid hose reel for fire fighting( <i>first revision</i> )	941 : 1985	Specification for blowers and exhauster for fire fighting ( <i>second revision</i> )
901 : 1988	Specification for couplings, double male and double female instantaneous pattern for fire fighting ( <i>third revision</i> )	942 : 1982	Functional requirements for 275 l/min portable pump set for fire fighting ( <i>second revision</i> )
902 : 1992	Specification for suction hose couplings for fire fighting purposes ( <i>third revision</i> )	943 : 1979	Functional requirement for 680 l/min trailer pump for fire brigade use ( <i>second revision</i> )
903 : 1993	Specification for fire hose delivery couplings, branch pipe, nozzles and nozzle spanner ( <i>fourth revision</i> )	944 : 1979	Functional requirement for 1800 l/min trailer pump for fire brigade use ( <i>second revision</i> )
904 : 1983	Specification for two-way and three-way suction collecting heads for fire fighting purposes ( <i>second revision</i> )	947 : 1985	Functional requirement for towing tender for trailer fire pump for fire brigade use ( <i>first revision</i> )
905 : 1980	Specification for delivery breechings, dividing and collecting, instantaneous pattern for fire fighting purposes ( <i>second revision</i> )	948 : 1983	Functional requirement for water tender, Type A, for fire brigade use ( <i>second revision</i> )
906 : 1988	Specification for revolving branch pipe for fire fighting ( <i>third revision</i> )	949 : 2012	Functional requirement for emergency (rescue) tender ( <i>third revision</i> )
907 : 1984	Specification for suction strainers, cylindrical type for fire fighting purpose ( <i>second revision</i> )	950 : 2012	Functional requirements for water tender, Type B for fire brigade use ( <i>third revision</i> )
908 : 1975	Specification for fire hydrant, stand post type ( <i>second revision</i> )	952 : 1986	Specification for fog nozzle for fire brigade use ( <i>second revision</i> )
909 : 1992	Specification for underground fire hydrant : Sluice valve type ( <i>third revision</i> )	955 : 1980	Functional requirements for dry power tender for fire-brigade use (150 kg capacity) ( <i>first revision</i> )
910 : 1980	Specification for combined key for hydrant, hydrant cover and lower valve ( <i>second revision</i> )	957 : 1967	Specification for control van for fire brigade
		1941 (Part 1) : 1976	Functional requirements for electric motor sirens : Part 1 AC, 3-Phase, 50 Hz, 415 volts type ( <i>second revision</i> )
		2097 : 2012	Specification for foam making branch pipe and foam inductor ( <i>second revision</i> )
		2175 : 1988	Specification for heat sensitive fire detectors for use in automatic detectors for use in automatic fire alarm system ( <i>second revision</i> )
		2546 : 1974	Specification for galvanized mild steel fire bucket ( <i>first revision</i> )

<i>IS No.</i>	<i>Title</i>	<i>IS No.</i>	<i>Title</i>
2696 : 1974	Functional requirements for 1125 l/min light fire engine ( <i>first revision</i> )	5486 : 1985	Specification for quick release knife ( <i>first revision</i> )
2745 : 1983	Specification for non-metal helmet for firemen and civil defence personnel ( <i>second revision</i> )	5505 : 1985	Specification for multi-edged rescue axe (non-wedging) ( <i>first revision</i> )
2871 : 2012	Specification for branch pipe, universal for fire fighting purposes ( <i>second revision</i> )	5612	Specification for hose-clamps and hose-bandages for fire brigade use
2878 : 2004	Specification for fire extinguisher, carbon-dioxide type (portable and trolley mounted) ( <i>third revision</i> )	(Part 1) : 1977	Hose clamps ( <i>first revision</i> )
2930 : 1980	Functional requirements for hose laying tender for fire brigade use ( <i>first revision</i> )	(Part 2) : 1977	Hose bandages ( <i>first revision</i> )
3582 : 1984	Specification for basket strainers for fire fighting purposes (cylindrical type) ( <i>first revision</i> )	5714 : 1981	Specification for hydrant, stand-pipe for fire fighting ( <i>first revision</i> )
4308 : 2003	Specification for dry chemical powder for fire fighting B and C class fires ( <i>second revision</i> )	6026 : 1985	Specification for hand operated sirens ( <i>first revision</i> )
4571 : 1977	Specification for aluminium extension ladders for fire brigade use ( <i>first revision</i> )	6067 : 1983	Functional requirements for water tender, Type 'X' for fire brigade use ( <i>first revision</i> )
4643 : 1984	Specification for suction wrenches for fire brigade use ( <i>first revision</i> )	IS/ISO 7240-5 : 2003	Fire detection and alarm systems — Part 5: Point-type heat detectors
4861 : 1984	Specification for dry powder for fighting fires in burning metals ( <i>first revision</i> )	IS/ISO 7240-7 : 2011	Fire detection and alarm systems — Part 7: Point-type smoke detectors using scattered light, transmitted light or ionization
4927 : 1992	Specification for unlined flax canvas hose for fire fighting ( <i>first revision</i> )	IS/ISO 7240-11 : 2011	Fire detection and alarm systems — Part 11 Manual call points
4928 : 1986	Specification for delivery valve for centrifugal pump outlets ( <i>first revision</i> )	8090 : 1992	Specification for couplings, branch pipe, nozzle, used in hose reel tubing for fire fighting ( <i>first revision</i> )
4947 : 2006	Specification for gas cartridges for use in fire extinguishers ( <i>third revision</i> )	8096 : 1992	Specification for fire beaters ( <i>first revision</i> )
4989 : 2006	Foam concentrate for producing mechanical foam for fire fighting — Specification ( <i>third revision</i> )	8149 : 1994	Functional requirements for twin CO <sub>2</sub> fire extinguishers (trolley mounted) ( <i>first revision</i> )
4989 (Part 4) : 2003	Specification for multipurpose aqueous film forming foam liquid concentrate for extinguishing hydrocarbon and polar solvent fires	8423 : 1994	Specification for controlled percolating hose for fire fighting ( <i>first revision</i> )
5131 : 2002	Specification for dividing breaching with control, for fire brigade use ( <i>second revision</i> )	8442 : 2008	Specification for stand post type water and foam monitor for fire fighting ( <i>first revision</i> )
5290 : 1993	Specification for landing valve ( <i>third revision</i> )	9972 : 2002	Specification for automatic sprinkler heads ( <i>first revision</i> )
		10460 : 1983	Functional requirements for small foam tender for fire brigade use
		10658 : 1999	Specification for higher capacity dry powder fire extinguisher (trolley mounted) ( <i>first revision</i> )
		10993 : 1984	Functional requirements for 2 000 kg dry powder tender for fire brigade use
		11101 : 1984	Specification for extended branch pipe for fire brigade use

<i>IS No.</i>	<i>Title</i>	<i>IS No.</i>	<i>Title</i>
11108 : 1984	Specification for portable fire extinguisher halon-1211 type	IS 15497:2004/ ISO 14520-12	Gaseous fire extinguishing systems — IG 01 extinguishing systems
11833 : 1986	Specification for dry powder fire extinguisher for metal fires	15519 : 2004	Code of practice for water mist fire protection systems — System design, installation and commissioning
12717 : 1989	Functional requirements of fire fighting equipment — High capacity portable pumpset (1 100-1 600 l/min)	IS 15517:2004/ ISO 14520-9	Gaseous fire extinguishing systems — Carbon dioxide, total flooding and local application including in cabinet subfloors systems
12796 : 1989	Specification for fire rake	IS 15517:2004/ ISO 14520-9	Gaseous fire extinguishing systems — HFC 227ea (Hepta Fluoro Propane) extinguishing system
13039 : 1991	Code of practice for provision and maintenance of external hydrant system	(18) 2190 : 2010	Code of practice for selection, installation and maintenance of portable first-aid fire extinguishers ( <i>fourth revision</i> )
13385 : 1992	Specification for fire extinguisher 50 capacity wheel mounted water type (Gas cartridge)	(19) 884 : 1985	Specification for first aid hose reel for fire fighting ( <i>first revision</i> )
13386 : 1992	Specification for 50 litre capacity fire extinguisher, mechanical foam type	(20) 15105 : 2002	Design and installation of fixed automatic sprinkler fire extinguishing system
14609 : 1999	Specification for ABC dry powder for fire fighting	(21) 15325 : 2003	Design and installation of fixed automatic high and medium velocity water spray system — Code of practice
14933 : 2001	Specification for high pressure fire fighting hose	(22) 12835 (Part 1) : 1989	Design and installation of fixed foam fire extinguishing system — Code of practice: Part 1 Low expansion foam
14951 : 2001	Specification for fire extinguisher, 135 litre capacity mechanical foam type	(23) 15528 : 2004	Gaseous fire extinguishing systems — Carbon dioxide, total flooding and local application (sub-floor and in-cabinet), high and low floor pressure (refrigerated) systems
15051 : 2002	Specification for high pressure fire hose delivery couplings	(24) 15519 : 2004	Water mist fire protection systems — System design, installation and commissioning — Code of Practice
IS 15105 : 2002/ ISO 6182-1	Design and installation of fixed automatic sprinkler fire extinguishing system	(25) 15493 : 2004	Gaseous fire extinguishing Systems — General requirements
IS 15220 : 2002/ ISO 7201-1	Specification for halon 1211 and halon 1301 — fire extinguishing media for fire protection	15497 : 2004	Gaseous fire extinguishing systems — IG 01 extinguishing systems
IS 15683 : 2006/ ISO 7165 : 2009	Portable fire extinguishers — Performance and construction — Specification	15501 : 2004	Gaseous fire extinguishing systems — IG 541 extinguishing systems
11360 : 1985	Specification for smoke detectors for use in automatic electrical fire alarm system	15505 : 2004	Gaseous fire extinguishing systems — HCFC Blend A
IS 15493 : 2004/ ISO 14520-1	Gaseous fire extinguishing systems : General requirements		
IS 15505 : 2004/ ISO 14520-6	Gaseous fire extinguishing systems: HCFC Blend A extinguishing systems		
IS 15506 : 2004/ ISO 14520-14	Gaseous fire extinguishing systems — IG 55 extinguishing systems		
IS 15525 : 2004/ ISO 14520-13	Gaseous fire extinguishing systems — IG 100 extinguishing systems		
IS 15501 : 2004/ ISO 14520-15	Gaseous fire extinguishing systems — IG 541 extinguishing systems		



<i>IS No.</i>	<i>Title</i>	<i>IS No.</i>	<i>Title</i>
15506 : 2004	Gaseous fire extinguishing systems — IG 55 extinguishing systems	3058 : 1990	stations ( <i>second revision</i> ) Code of practice for fire safety of industrial buildings : Viscose rayon yarn and/or staple fibre plants ( <i>first revision</i> )
15517 : 2004	Gaseous fire extinguishing systems — HFC 227 ea (Hepta fluoro propane) extinguishing systems	3079 : 1990	Code of practice for fire safety of industrial buildings : Cotton textile mills ( <i>first revision</i> )
15525 : 2004	Gaseous fire extinguishing systems — IG 100 extinguishing systems	3594 : 1991	Code of practice for fire safety of industrial buildings : General storage and warehousing including cold storage ( <i>first revision</i> )
(26) 2189 : 2008	Code of practice for selection, installation and maintenance of automatic fire detection and alarm system ( <i>fourth revision</i> )	3595 : 1984	Code of practice for fire safety of industrial buildings : Coal pulverizers and associated equipment ( <i>first revision</i> )
2190 : 2010	Code of practice for selection, installation and maintenance of portable first-aid fire extinguishers ( <i>fourth revision</i> )	3836 : 2000	Code of practice for fire safety of industrial buildings : Jute mills ( <i>second revision</i> )
3844 : 1989	Code of practice for installation and maintenance of internal fire hydrants and hose reels on premises ( <i>first revision</i> )	4209 : 2013	Code of safety for chemical laboratories ( <i>second revision</i> )
9668 : 1990	Code of practice for provision and maintenance of water supplies for fire fighting	4226 : 1988	Code of practice for fire safety of industrial buildings : Aluminium/ Magnesium powder factories ( <i>first revision</i> )
13039 : 1991	Code of practice for provision and maintenance of external hydrant system	4886 : 1991	Code of practice for fire safety of industrial buildings : Tea factories ( <i>first revision</i> )
13039 : 2014	External hydrant systems — Provision and maintenance — Code of practice	6329 : 2000	Code of practice for fire safety of industrial buildings : Saw mills and wood works ( <i>first revision</i> )
(27) 4878 : 1986	Byelaws for construction of cinema buildings ( <i>first revision</i> )	9109 : 2000	Code of practice for fire safety of industrial buildings : Paint and Varnish factories
(28) 2726 : 1988	Code of practice for fire safety of industrial buildings : Cotton ginning and pressing (including cotton seed delinting) factories ( <i>first revision</i> )	11457 (Part 1) : 1985	Code of practice for fire safety of chemical industries: Part 1 Rubber and plastic
3034 : 1993	Code of practice for fire safety of industrial buildings : Electrical generating and distributing	(29) 13039 : 2014	External hydrant systems — Provision and maintenance — Code of practice